



IC915 User Manual

Operating Instructions

Digital Thermostat



Index

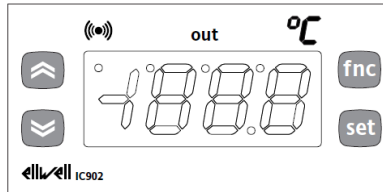
1	MAIN VIEW	3
2	KEYS.....	3
3	PARAMETERS.....	4
4	THERMOSTAT MENU.....	4
4.1	PROGRAMMING MENU FOLDERS TREE	4
4.2	STATUS / SETPOINT MENU	5
5	ERRORS TABLE.....	5
6	MAX TEMPERATURE ALARM (ONLY FOR RACK WITH INSTALLED OPTION)	5
7	COOLING	6
7.1	COOLING WITH FIXED SETPOINT	6

1 Main view

In main view, the target display shows the value measured by the thermoregulation probe.



Following table explains the meaning associated to LEDs.



Icon	Description	ON
((•))	Alarm	ON for an active alarm
°C	°C	With temperature value displayed
out	Relay of compressor	Compressor is active

2 Keys

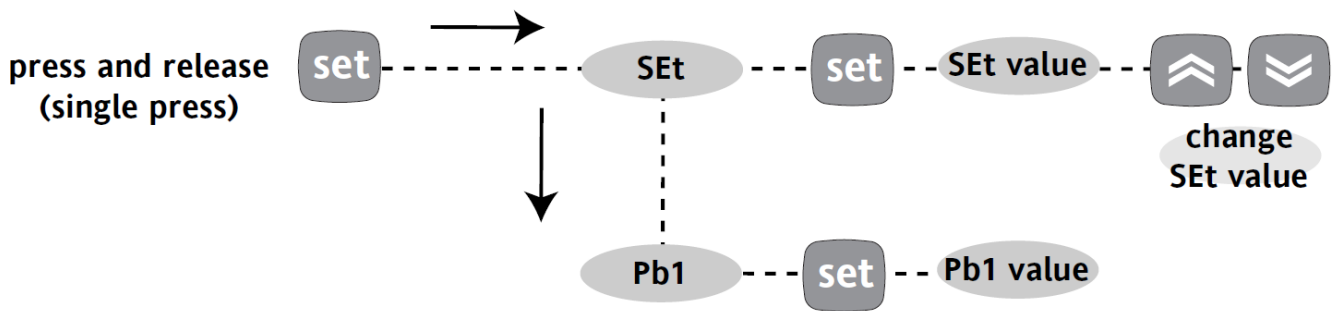
key	Description press and release
UP	Increase a value Go to next label
DOWN	Decrease a value Go to previous label
fnc	Exit without saving new settings Go back to previous level
set	Confirm value / exit and save new settings Move to next level (open folder, subfolder, parameter, value) Open state/set Menu

3 Parameters

					EB/RACK Water+Glycol				EB/RACK OIL	
To enter	Main Folder	Sub-folder	PARAMETER	DESCRIPTION	LEVEL	U.M.	RANGE MIN - MAX	DEFAULT	RANGE MIN - MAX	DEFAULT
Press "set" button	SEt		St1	SET-POINT for Compressor	-	°C	10...35		20...30	25

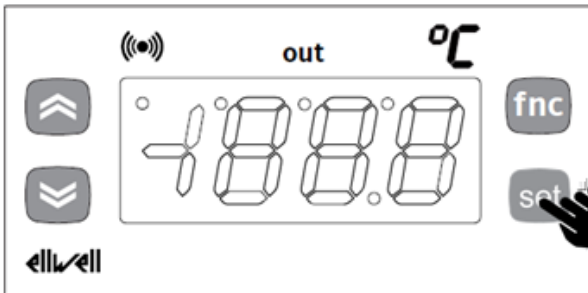
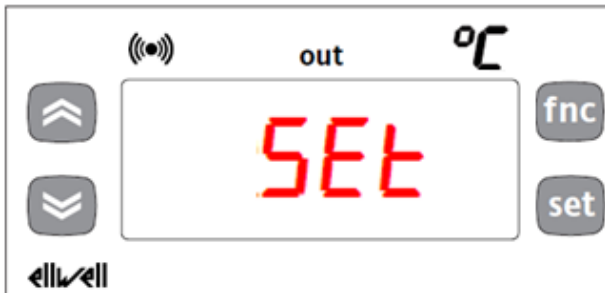
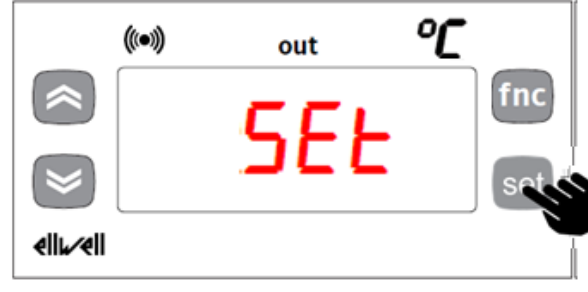
4 Thermostat Menus

4.1 Programming Menu Folders tree



4.2 Status / Setpoint menu

(SEt folder)

Status menu	
	
In main view, press the set key to access the Status / Setpoint menu.	folder "SEt" will appears
	
<p>Press set key again to view the value of selected parameter. To modify this value Press the "up" and "down" keys. Press the set key once you have entered the required value.* Press the esc key to exit this display and go back to the previous level.</p> <p>*N.B. pressing the set key will confirm the value entered; Pressing the esc key will take you back to the previous level without saving the value entered.</p>	

5 Errors table

Label	Description	Reset	Stops			Type of Error
			Comp.	Fan	Pump	
E1	Water Temperature Probe Fault	Automatic (after replacing/repairing of the probe)	OFF	OFF	-	Alarm

6 Max Temperature Alarm (only for RACK with installed option)

The regulator gets the temperature measure from the thermoregulation probe; the setpoint of Max temperature Alarm is 40°C for Rack units.

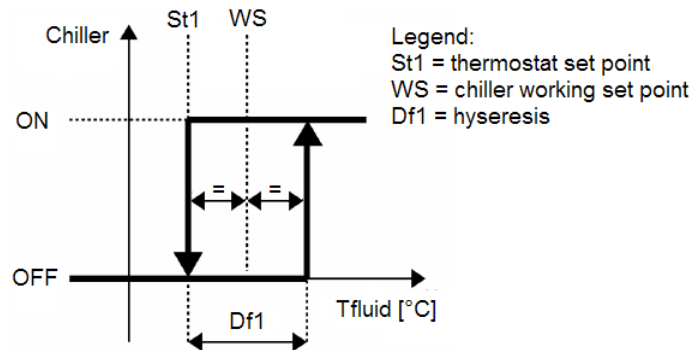
7 Cooling

7.1 Cooling with Fixed Setpoint

The regulator gets the temperature measure from the thermoregulation probe; the setpoint is $25^{\circ}\text{C} \pm 1^{\circ}\text{C}$ for OIL units.

Control action is proportional to the error and it reaches saturation (100%) when the temperature is greater than the setpoint plus the "Hysteresys" = $0,1^{\circ}\text{C}$.

Compressor Setpoint Settings			
Type	Parameter	Factory Setting [$^{\circ}\text{C}$]	Range of Setting [$^{\circ}\text{C}$]
EB/RACK Oil	SEt	25	21,5 - 35
All EB/RACK	WS	SEt + "Df1"/2	11,5 - 35
	Df1	0,1	0,1



DOCUMENT REVISION HISTORY			
Date	N°	Description	Name
28/10/2014	01-__	First Issue	KP