

Operating and Maintenance Instructions



PC2500/3500 WT CE STD

MANUFACTURER

DASSI S.r.l. – Member of the Pfannenberg Group
 Via La Bionda, 13 I-43036 Fidenza (PR)
 Tel. +39 0524-516711 Fax. +39 0524-516790
 E-mail: info@pfannenberg.it

English	<i>Operating and Maintenance Instructions</i>	3
Deutsch (Übersetzung Originalbetriebsanleitung)	<i>Betriebs - und Wartungsanleitung</i>	26
Italiano (Traduzioni delle istruzioni originali)	<i>Libretto di istruzioni e assistenza</i>	44

Pfannenberg Service Company

ITALY

Pfannenberg Italia s.r.l.
Via La Bionda, 13 I – 43036 FIDENZA (Parma)
Tel. +39 0 524 / 516-711 – Fax +39 0 524 / 516-792
info@pfannenberg.it - www.pfannenberg.com

GERMANY

Pfannenberg GmbH
Werner-Witt-Straße 1. D -21035 Hamburg
Tel. +49 40 / 73412-105 – Fax +49 40/ 73412-101
info@pfannenberg.com - www.pfannenberg.com

U.S.A.

Pfannenberg Inc
68 Ward Road. Lancaster, NY 14086
Tel. +1 716 / 685-6866 – Fax +1 716 / 681-1521
info@pfannbergusa.com - www.pfannenberg.com

CHINA

Pfannenberg (Suzhou) Pte Ltd
5-1-D, No.333 Xingpu Road
Modern Industrial Park, SiP,
Suzhou 215021, Jiangsu Province, P.R.C
Tel: +86-512 6287 1078 –Fax: +86-512 6287 1077
info@pfannenberg.cn - www.pfannenberg.cn

ASIA

Pfannenberg Asia Pacific Pte Ltd
61 Tai Seng Avenue
B1-01 UE Print Media Hub
Singapore 534167
info@pfannenberg.com - www.pfannenberg.com

For Service, please contact the nearest Pfannenberg Service Company

Index

1. Warranty..... 4
2. Safety..... 4
3. Residual risks 6
4. Receiving and Unpacking 6
5. Positioning the Chiller..... 7
6. Connections..... 8
7. Process Water / Fluids..... 11
 7.1 Waterquality 12
8. Ambient temperature..... 13
9. Start up of the chiller..... 13
10. Decommissioning, disposal 17
10.1 Decommissioning and storage..... 17
10.2 Final decommissioning or disposal 17
 APPENDIX A1 20
 APPENDIX B1 21
 APPENDIX B2 25

1. Warranty

For informations about warranty please visit Pfannenberg website:
<http://www.pfannenberg.com/en/company/general-conditions/>

2. Safety

The Chiller instructions must be read by the installer and personnel in charge for operation, before starting the chiller.

All safety and security instructions given in this manual have to be observed!

Only qualified personnel are allowed to install, operate and do the maintenance work.

Non observance of the instructions may cause injuries and will cancel the manufacturers liability for subsequent damage.

National regulations on accident prevention, regulations of the local power supply authorities as well as any specific safety instructions for chiller must be observed.


The safety of the unit is only guaranteed, if it is used as intended.

The following points must be observed before commissioning and while operating the Chiller:

- Familiarize yourself with all operating controls.
- Make sure that all working limits indicated within unit label are observed.
- Use protective devices to check electrical insulation. Do not carry out any work on any part of the equipment that are live with wet clothing, hands and feet.
- Never spill or pour any cooling medium into the environment as this may cause health hazard.
- The components of the Chiller must not be modified in any way.
- Disconnect the power supply and release pressure from any pressurized component before carrying out any service work on the Chiller.
- A qualified commissioning engineer must ensure that the Chiller has been connected to the electrical mains in accordance with the standard EN 60204 and all other applicable national regulations.

For Health and Safety reasons, please find below a list of potential risks that the operator is exposed to while commissioning and/or operating and/or dismantling the unit:

Risk	Recommended Safety Measure	Residual Risk to be aware of	Label
<i>sharp edges</i> (such as heat exchanger fins and internal metal plates live edges)	It is recommended to use safety equipment (such as gloves and protective cloths)	-	
<i>hot surfaces</i> (such as electric motor body of pump or compressor and refrigeration copper pipes)	It is recommended to use safety equipment (such as gloves and protective cloths)	-	
<i>refrigerant under pressures</i> within refrigeration circuit (PS indicated on chiller data label)	Always verify functionality of High Pressure Switch. Never open refrigeration circuit for maintenance before releasing pressure*	Due to Toxicity of refrigerant and oil still inside circuit, it is recommended to use suitable gloves and mask while servicing refrigerant equipment.	
<i>cooling water/glycol mixture under pressure</i> within hydraulic circuits (max pressure indicated on chiller data label)	Always check that all cooling water/glycol pressure is released before sectioning and servicing hydraulic equipment using purging system and refill ball valve	Due to Toxicity of glycol and oil still inside circuit, it is recommended to use suitable gloves and mask while servicing hydraulic equipment	

<i>electrical shock</i>	Always disconnect power supply and post a ' MAINTENANCE WORK IN PROGRESS ' sign on a visible position next to the main switch during service	-	
<i>rotating fans</i>	Always disconnect power supply and make sure all mechanical equipment is stopped before service.	-	
<i>Toxicity of refrigerant and cooling liquid</i>	It is recommended to use suitable protection equipment (such as gloves, glasses, safety shoes)	-	

***NOTE:** for environmental reasons never discharge refrigerant into atmosphere (follow local regulations to properly dispose of refrigerant).

It is recommended to familiarize with all technical documentation provided with the unit (such as controller manual, Mechanical & Electrical Diagrams) in order to avoid improper operation of this unit.

It is also **mandatory** to comply with **Regulation (EU) No 517/2014** of the European Parliament and of the Council of 16 April 2014 on certain fluorinated greenhouse gases.

The above mentioned Regulation lays down specific measures and restrictions to be considered while commissioning, operating, maintaining and disposing any equipment containing greenhouse gases, such as HFCs, as specified in Annex I.

The **Regulation (EU) No 517/2014** also (but not only) specifies mandatory leakage-check frequency to be performed by certified personnel and mandatory records providing the evidence of exact fluorinated gas charge and subsequent added and/or recovered quantities as described in Article 3 (reported below):

Article 3 → **Containment**

Operators of the following stationary applications: refrigeration, air conditioning and heat pump equipment, including their circuits, as well as fire protection systems, which contain fluorinated greenhouse gases listed in Annex I, shall, using all measures which are technically feasible and do not entail disproportionate cost:

- (a) prevent leakage of these gases; and
- (b) as soon as possible repair any detected leakage.

Operators of the applications referred to in paragraph 1 shall ensure that they are checked for leakage by certified personnel who comply with the requirements of Article 5, according to the following schedule:

- (a) applications containing **5 tonnes of CO₂ equivalent or more** of fluorinated greenhouse gases shall be checked for leakage at least once **every 12 months**; this shall not apply to equipment with hermetically sealed systems, which are labeled as such and contain less than 6 kg of fluorinated greenhouse gases;
- (b) applications containing **50 tonnes of CO₂ equivalent or more** of fluorinated greenhouse gases shall be checked for leakage at least once **every six months**;
- (c) applications containing **500 tonnes of CO₂ equivalent or more** of fluorinated greenhouse gases shall be checked for leakage at least once **every three months**.

The applications shall be checked for leakage **within one month after a leak has been repaired** to ensure that the repair has been effective.

For the purposes of this paragraph, 'checked for leakage' means that the equipment or system is examined for leakage using direct or indirect measuring methods, focusing on those parts of the equipment or system most likely to leak. The direct and indirect measuring methods of checking for leakage shall be specified in the standard checking requirements referred to in paragraph 7.

Where a properly functioning appropriate leakage detection system is in place, the frequency of the checks required under paragraph 2(b) and (c) shall be halved.

In the case of fire protection systems where there is an existing inspection regime in place to meet ISO 14520 standard, these inspections may also fulfill the obligations of this Regulation as long as those inspections are at least as frequent.

Operators of the applications referred to in paragraph 1, containing **5 tonnes of CO₂ equivalent or more** of fluorinated greenhouse gases, shall **maintain records** on the quantity and type of fluorinated greenhouse gases installed, any quantities added and the quantity recovered during servicing, maintenance and final disposal. They shall also maintain records of other relevant information including the identification of the company or technician who performed the servicing or maintenance, as well as the dates and results of the checks carried out under paragraphs 2, 3 and 4 and relevant information specifically identifying the separate stationary equipment of applications referred to in paragraph 2(b) and (c). These records shall be made available on request to the competent authority and to the Commission.

Regulation (EU) No 517/2014 also includes: 'Scope' – Article 1; 'Definitions' – Article 2; 'Recovery' – Article 4; 'Training and Certification' – Article 5; 'Reporting' – Article 6; 'Labelling' – Article 7; 'Control of Use' – Article 8; 'Placing on the Market' – Article 9; 'Review' – Article 10; Article 11; 'Committee' – Article 12; 'Penalties' – Article 13; Article 14; 'Entry into force'.



CAUTION: in accordance to the F-GAS regulation (EU) No 517/2014, every year the operator (the owner of the equipment) is responsible to ensure a Gas leakage test, the recording of the gas quantity change inside the unit and the communication to the responsible agency of the state in the European community where the unit is in operation.

To ensure that the performance of your chiller is not impaired, we recommend that you only use original spare parts purchased from Pfannenberg, in this way you ensure the reliability and quality of the machine.

If you have any questions about spare parts, please contact our Pfannenberg Service Team (Contact details, p.2).

If you need any consultancy in terms of a maintenance and leakage check according (EU) No. 517/2014 please contact our Pfannenberg Service Team. To ensure the proper and reliable functionality of the chiller, we recommend to perform the commissioning by our Pfannenberg Service Team.

3. Residual risks

There are some residual risks after the installation of the unit that have to be considered:

Residual risks according to 2006/42/CE Directive:

- The condenser has fins on his external surface, so there is the possibility for the operator to touch sharp edges during service of the unit.
- Although the unit is designed with all the possible safety requirements, in case of external fire there is the possibility that the internal pressure and temperature of the unit will increase in a dangerous and uncontrollable way; in that case use the extinguishing tools suitable for that conditions.
- For units without emergency switch-disconnector: chiller user must install the emergency switch-disconnector installation close to the chiller, in an accessible and clearly visible place, to allow emergency stop of the unit and safety for the operator.
- Even if the instructions contained in this manual are enough explanatory for safety, high pressure switches are mounted, to guarantee intervention in case of wrong filing, or in case of malfunction due to not controlled increase of pressure and temperature.

Residual risks according to 2014/68/UE Directive:

- Although the unit is designed with all the possible safety requirements, in case of external fire there is the possibility that the internal pressure and temperature of the unit will increase in a dangerous and uncontrollable way; in that case use the extinguishing tools suitable for that conditions.
- For the series production of the standard units of category I, the pressure resistance test (typically the hydrostatic pressure test) is made on a statistic base, not on all units.
This can be accepted, also considering all the safety devices mounted on the units.
- For units without emergency switch-disconnector: chiller user must install the emergency switch-disconnector installation close to the chiller, in an accessible and clearly visible place, to allow emergency stop of the unit and safety for the operator.
- Even if the instructions contained in this manual are enough explanatory for safety, high pressure switches/safety valves are mounted, to guarantee intervention in case of wrong filing, or in case of malfunction due to not controlled increase of pressure and temperature.

4. Receiving and Unpacking

Each chiller is supplied on a wooden pallet, wrapped with protective film, strapped, and protected on lateral sides. Each unit is contained in a carton box.

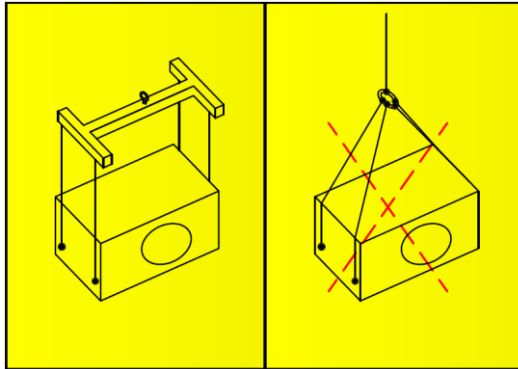
It is recommended to pay particular attention during handling and transportation of the unit and to maintain the packaged units in the vertical position, in order to avoid any kind of dents to the external frame and any damage to the internal components.

Secure units to the transport vehicle with suitable strapping.

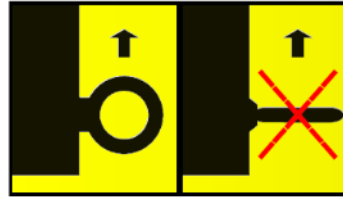
Note! The above mentioned packages are suitable for piling up units on top of each other (max 2 units)

Store the Chiller in a dry place, away from heat sources. All waste materials should be recycled in the appropriate manner.

For the operations of lifting and movement it is necessary to use a fork lift truck with proper load capacity and with forks longer than the base of the Chiller. Avoid sudden movements which can damage the framework and the internal components. PFANNENBERG Std Chiller (above 45Kg weight) can be provided with 4 eyebolts for lifting and transportation; to be used for vertical loading/unloading only (to see the right point for lifting please refer to the stickers on the unit). Where eyebolts are not installed as standard, they can be provided as accessory.



Picture 1 – Chiller lifting



Picture 2 - eyebolt right position

Check after the final positioning of the Chiller the internal connections to avoid damage during operation.

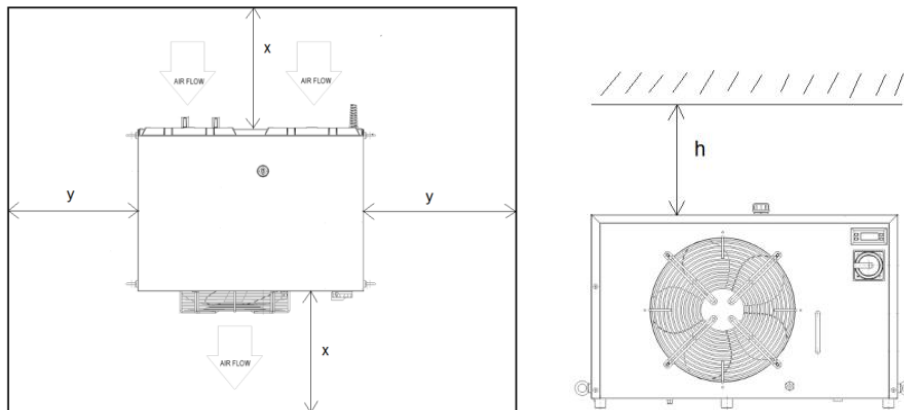
5. Positioning the Chiller

Place the Chiller in a well-ventilated area, away from heat sources and direct influence of sun light; if possible, near the user system, in order to avoid load losses along the hydraulic connection pipes. Use the adjustable feet (where installed) to level off the cooling unit.

Not intended use: chiller can't be installed on inclined floor.

- the chiller can be installed on moving parts with a max speed of 85 m/min and acceleration not exceeding 3 m/s²
- for dusty environments it is suggested to use the air filter.

The chiller must be placed in a suitable room at disposal, as shown in the figure:

Picture 3 – Room minimum dimensions, $x=0,15$ m; $y= h=0,5$ m

According to CEI EN 60204-1, for units which don't have the lockable main switch at a minimum distance of 0,6 m from the basement of the unit, it's necessary to install that units in a position that allows to maintain that minimum distance.



CAUTION: For standard unit the outdoor installation is absolutely forbidden, even if under a roof.

Only special designed outdoor units can be used in outdoor installation.

For regular maintenance or adjustment, the chiller shall be located between 0,3 m and 1,0 m above the servicing level.

PFANNENBERG chillers should be set on a concrete slab. The slab should extend a minimum of 30cm (12 inches) beyond the perimeter of the Chiller to prevent damage from lawn maintenance equipment, etc. The Chiller, which should be level and properly anchored, is provided with 4 antivibration dampers on the bottom of the unit, which allow the support and the fixing of the Chiller and to dampen the vibrations and decrease the noise during the operation.

6. Connections



WARNING: Hydraulic connections are the first ones to be assembled during installing operation, to be followed by electric connections. Remove the caps inside the hydraulic fittings connection before to connect the chiller to your device.



WARNING: The chillers has been cleaned by means of specific cleaning products. The eventual findings of solid particles in the hydraulic system might cause the loss of warranty.

Hydraulic connections. For the hydraulic connection please refer to the **enclosed hydraulic plan**. The flow rate and the fluid circulation direction must be respected during connection in accordance with INLET-OUTLET identification plates.



CAUTION: Fill the tank before connecting Hydraulic tubes (as described in the start-up procedure). Remove the caps inside the hydraulic fittings connection before to connect the chiller to your device and open the ball valves.

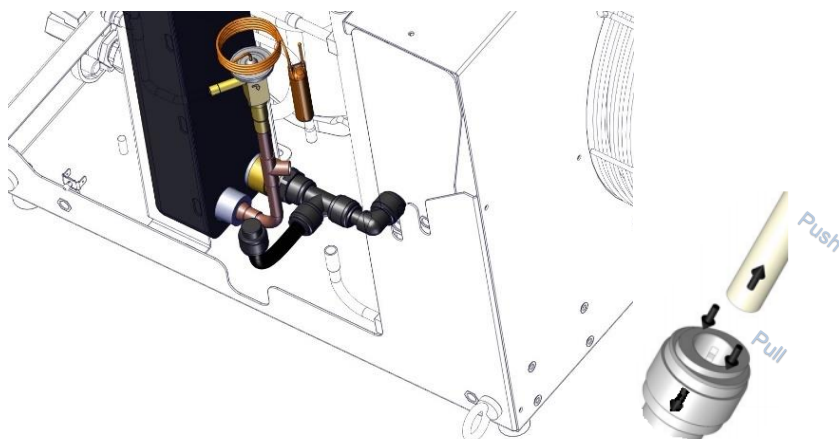
Hydraulic connection plate



Picture 4 –Hydraulic connection plate

Hydraulic draining connection

For draining procedure please refer to Appendix B1.



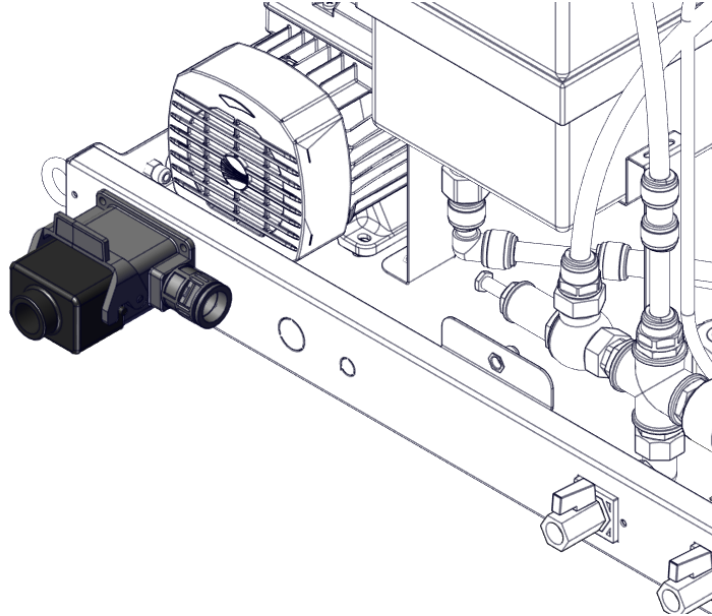
Picture 5 – Hydraulic draining connection



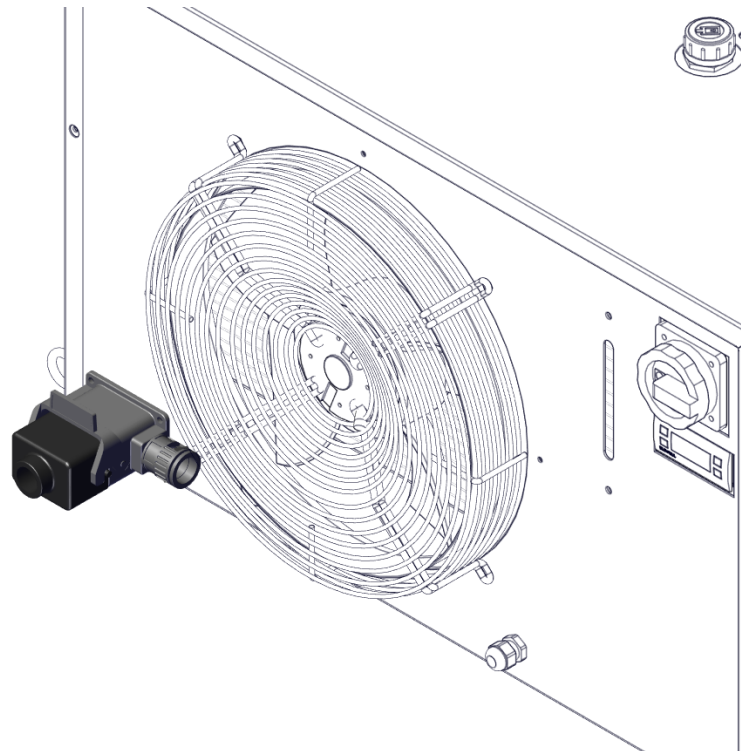
CAUTION: In case of unit with tank, please fill the tank before connecting Hydraulic tubes.

Electric connections

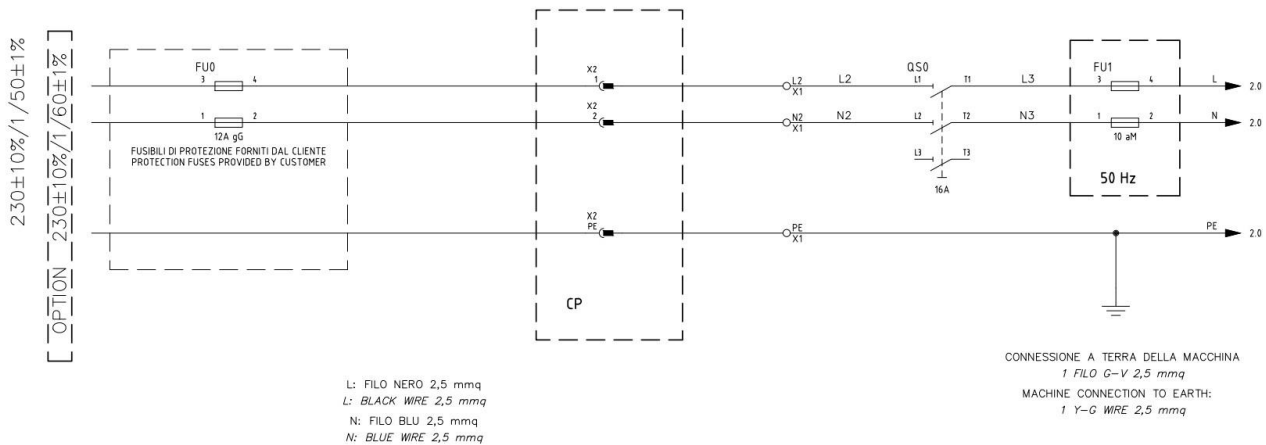
The unit must be electrically connected by the customer



Picture 6a- Harting back connection



Picture 6b – Harting frontal connection



7a- Electric connection with cable

Please Note:

- When units are provided without power and alarm cables (or industrial connectors), cable on terminal blocks into the electrical box, according to the e-plan enclosed with the unit
- Electrical installation must respect all valid safety standards.
- It's necessary to install protective fuses (indicated on the electrical plan) or a circuit breaker upstream of the power cable.
- Make sure the system is adequately earthed.
- Check that the voltage and frequency of the power supply correspond to the specifications on the unit's data plate and/or **enclosed electrical plan**.
- Pfannenber Chiller units are designed for TN Earthing Systems. Use the Maximum fault loop Chiller Impedance value for sizing purposes on site (refer to Z_{pe} value specified within Electrical Diagram attached)
- For units with (black) control main switch, emergency switch-disconnector (in accordance with IEC 60947-1, IEC 60947-2, IEC 60947-3) will be provided by customer in proximity of the unit

Voltage Limitations:

According to CEI EN 60204-1, Pfannenberg standard Chiller operation is guaranteed within these ranges:

- Nominal voltage $\pm 10\%$ [V]
- Nominal frequency $\pm 1\%$ [Hz]

Please refer to the type label to see which are the operating nominal conditions of the unit.

Nominal conditions	V min [V]	V max [V]	f min [Hz]	f max [Hz]
230 V / 1 ~ / 50 Hz	207	253	49.5	50.5
230 V / 1 ~ / 60 Hz	207	253	59.4	60.6

For units with special voltages please refer to the type label.

7. Process Water / Fluids

PFANNENBERG chillers should be filled to the proper level with an **inhibited glycol** designed for Industrial chillers systems. **Do not use automotive antifreeze!** The inhibitors used in automotive antifreeze can break down quickly and accelerate the degradation of the coolant base (glycol); as well as promote corrosion in a system. Silicates used in automotive antifreeze coat heat exchangers, resulting in reduced heat transfer. Also, silicates can gel causing fouling and plugging of a system.

The ratio of inhibited glycol to water should be adequate to prevent freezing at the lowest ambient temperature. Check the level with all lines filled. **The glycol mixture should be checked periodically (3 to 6 months) for proper concentrations by using of Refractometer.** When filling the system, always use a pre-mixed solution in the proper ratio to maintain freeze and corrosion protection. Distilled water is **recommended** because many municipal water supplies contain large amounts of chlorine, which can react unfavorably with glycol.

NOTE: If user's circuit is at least 500mm over the hydraulic connection of the chiller, the fluid in the piping may drain back and overflow the chiller reservoir if the chiller is shut down. This can be prevented by using a check valve in the supply line, and either a solenoid valve on the return line.



Corrosion protection:

PFANNENBERG recommends that Pfannenberg Protect Glycol is also used as a rust inhibitor.

The percentages of glycol into the mixture is related to the minimum working temperature of the mixture (that must be in line with the minimum working set point of the unit, please see the technical data of the unit):

Propylene glycol	dilution %	Working range temperature		Freezing point
		Min [°C]	Max [°C]	
PP20P	20	+13	+101	-8
PP30P	30	0	+103	-14
PP50P	54	-25	+104	-38

Ethylene glycol	dilution %	Working range temperature		Freezing point
		Min [°C]	Max [°C]	
PP20E	20	+13	+102	-8
PP30E	30	0	+103	-15
PP50E	50	-25	+108	-38



CAUTION: The higher the concentration of glycol the lower the amount of heat rejection you will be able to get out of the fluid.



CAUTION: Ethylene glycol (Pfannenberg Protect PP...E) and Propylene glycol (Pfannenberg Protect PP...P) differs for viscosity and toxicity. Ethylene glycol is less viscous than Propylene one, so it provide a higher efficiency in heat exchanging, and has better performance at low temperatures. For applications where is necessary to ensure a non-toxic process, the propylene glycol based fluids are used because of their low toxicity if ingested; it can be used for example where fluid can enter into accidental contact with beverages, or for industrial processes for food and beverages processing. In some applications propylene glycol use is mandatory.

7.1 Waterquality

To keep the hydraulic circuit correct and trouble-free, it is necessary, to check the water quality and if necessary, carry out water treatment. The standard circuit of a water chiller is a half open system, that means, part of the water steams/evaporates out during operation. That means, that the concentration of chloride is getting higher and the system water will cause corrosion on the installed components.

When using water to dilute the mixture, please consider the following:

- It's recommended to use demineralized/deionized water (DM/DI) but not distilled water.
- Do not allow mechanical contamination to get in the water. Use water filters if this could be a problem.
- Water hardness should not be too high. (see below)
- Watch for chemical contamination. If this is to become a problem, treat the water with passivators and/or inhibitors.
- Do not allow biological, slime bacteria, and algae contamination. If this does happen, treat the water with biocides.

PFANNENBERG recommends that the properties of the water has to be checked in order to identify the quality

Water quality A (No water treatment necessary):

Fresh water from the tap, free of contamination
Ph-level:7-9
Hardness:<5°dH
Conduction:<50µS/cm
Chlorine:<20 mg/l

Water quality B (Water treatment is recommended):

Fresh water from tap, free of contamination
Ph-level:7-8,5
Hardness:<10°dH
Conduction:<300µS/cm
Chlorine:<50 mg/l

Water quality C (Water treatment mandatory):

Fresh water from tap, free of contamination
Ph-level:7-8,5
Hardness:<20°dH
Conduction:<500µS/cm
Chlorine:<100 mg/l

8. Ambient temperature

Chiller is designed to operate in the ambient temperature range indicated in the type label. When ambient temperatures are out of that range, manufacturer must be consulted. High ambient temperatures reduce Chiller capacity. Low ambient temperatures require special controls. Fluid heaters may be required to prevent freezing and to hold the fluid in the Chiller reservoir at a constant temperature in order to reduce start-up delays while the fluid warms up to operating temperature.

9. Start up of the chiller

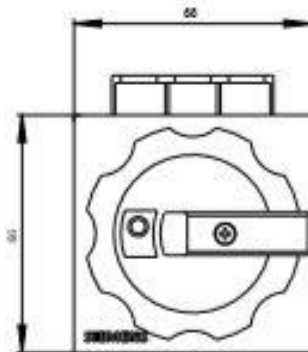


CAUTION: WORK ON THE ELECTRICAL AND REFRIGERANT CIRCUITS MAY ONLY BE PERFORMED BY QUALIFIED PERSONNEL!!!!!!!

NOTE: In order to avoid damage to the refrigerant circuit components (compressor, pipe ecc..) and electrical circuit components (controller, fuses, ecc) the chiller allows no more than 10 starts per hour.

NOTE: The following instruction will guide you through the start up procedure in detailed steps. For a quick commissioning instruction please see appendix A1.

1. Turn main switch, to the - 0 - (off) position.



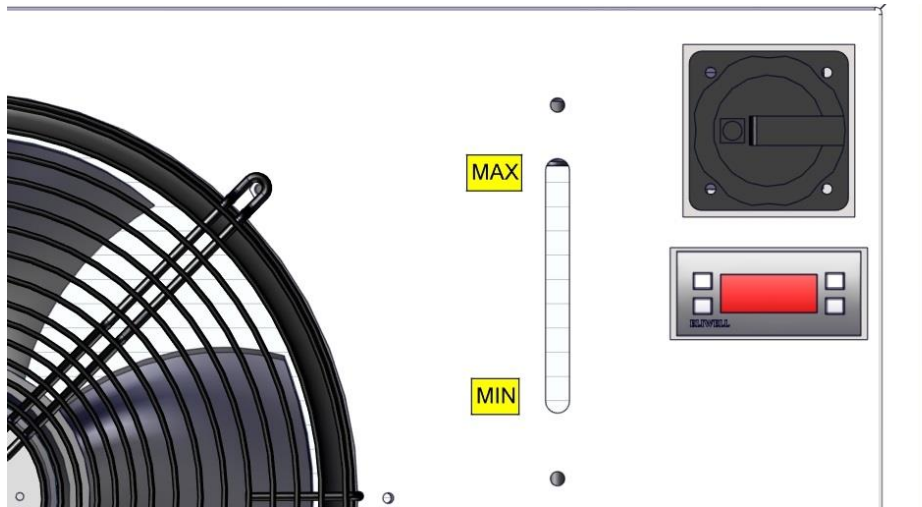
Picture 8 – Main switch

2. CHILLER with tank: Remove filling plug, which is located in the top side of the chiller (external),



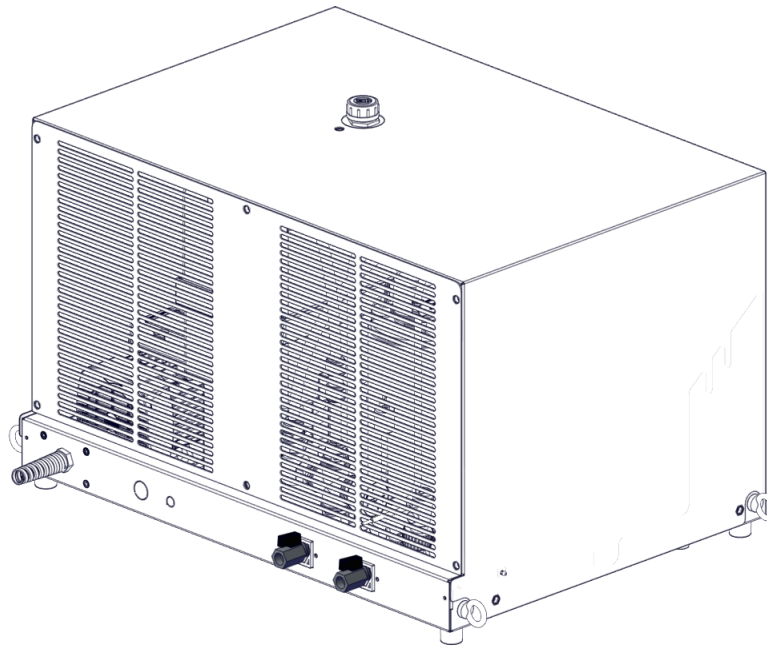
Picture 9 – filling point

3. Fill reservoir with water or water-glycol mixture until the maximum level is reached. (water quality and treatment should be established according to the application specifications)



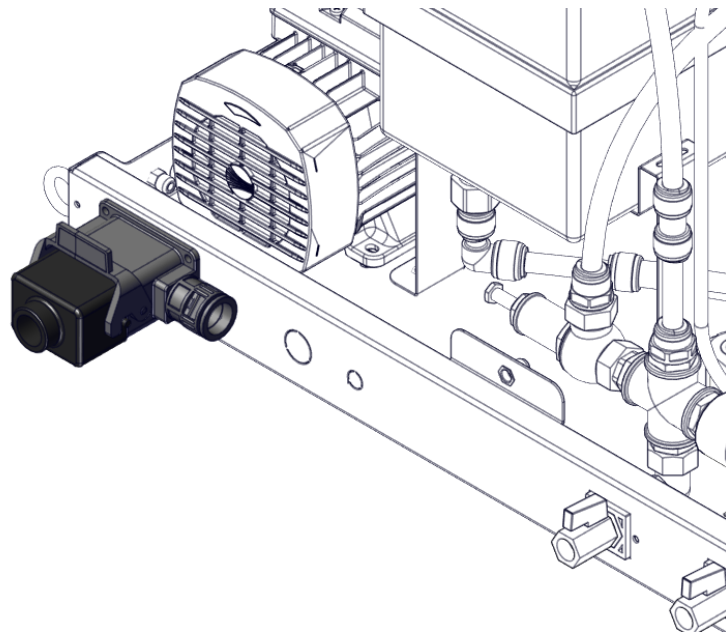
Picture 10 – Max visual level

4. Connect water inlet and outlet pipes

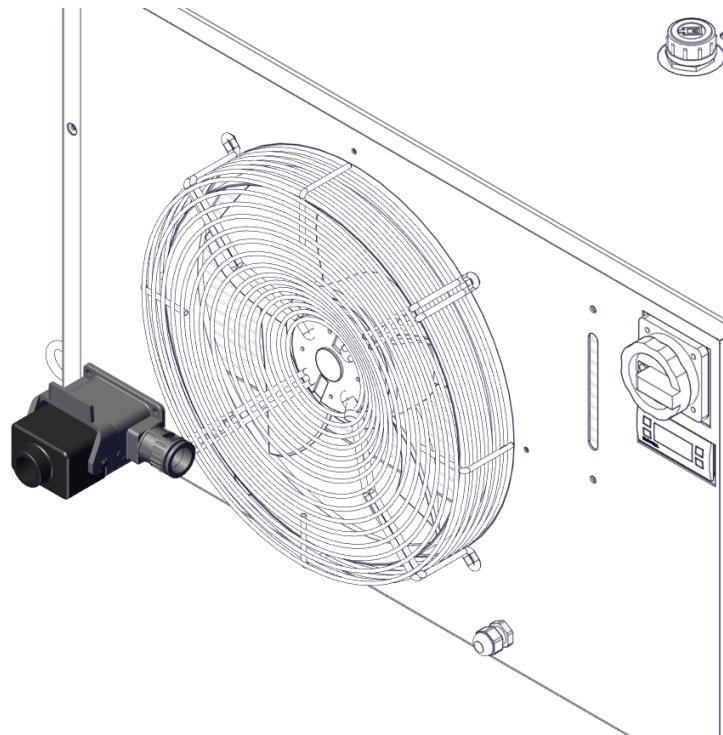


Picture 11 – Pipe connection

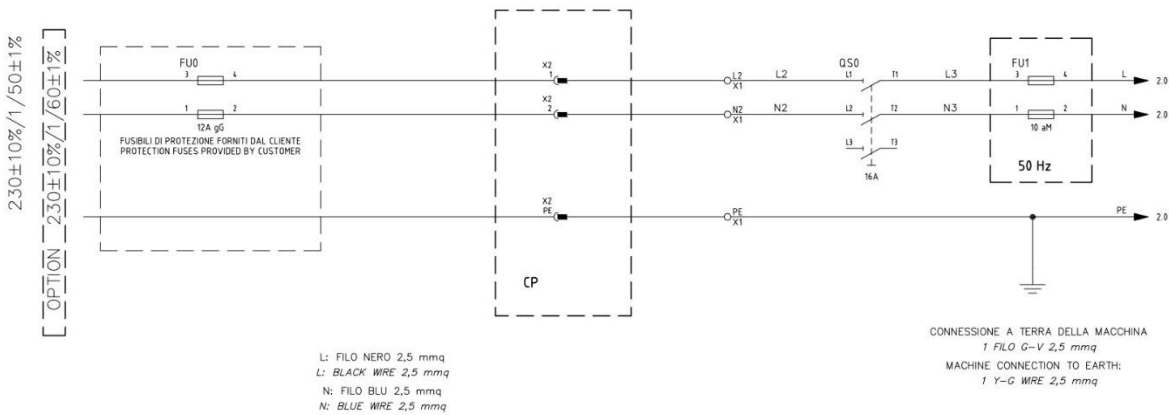
5. Establish main power feed and alarm cable with customer's equipment. When units are provided without power and alarm cables (or industrial connectors), cable on terminal blocks into the electrical box, according to the e-plan enclosed with the unit.



Picture 12a– Electrical connections

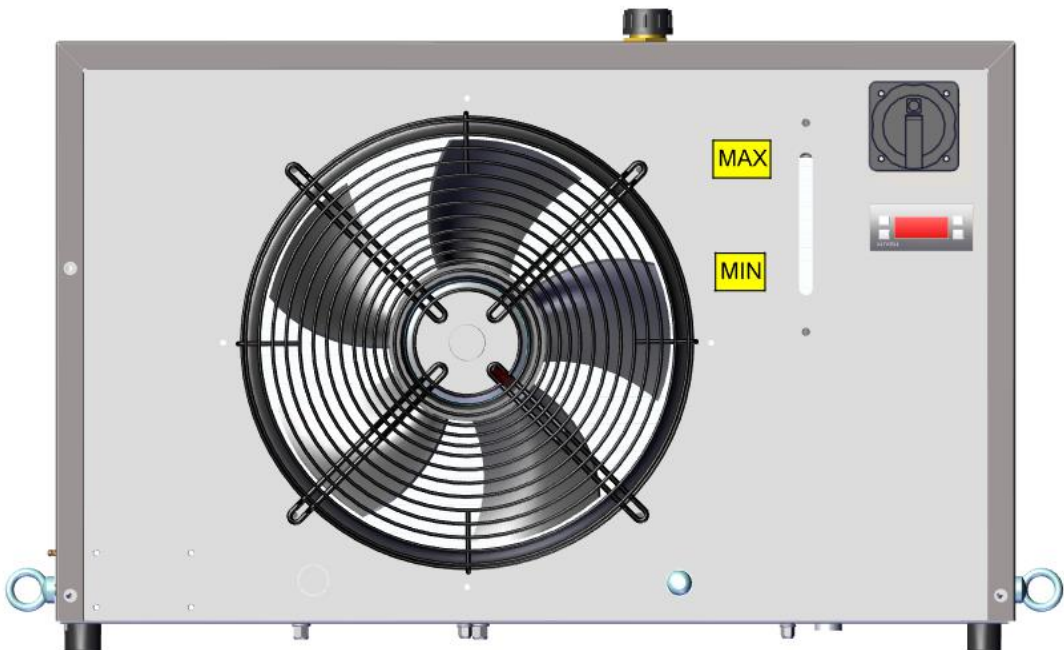


Picture 12b– Electrical connections



Picture 12c– Electrical connections with cable

- Turn the main switch to ON position; pump will run automatically. The fluid level must always stay over the minimum level. After the water circuit has run for approx. 5 minutes, switch off the main switch and check again the visual level of the tank; refill the tank in case of need.



Picture 13 – tank top up

At this time the Chiller is ready to operate automatically according to the controllers “set point values”. If necessary, set controller according to customers temperature requirements. (Please refer to the manual of the thermostat delivered with the unit).

NOTE: The unit works correctly only if the cover panels are mounted on the unit, so if for some reason during the installation of the Chiller they have been removed, please replace them before switching on the unit.

After installation, the REFRIGERATOR does not need intervention by the Qualified Operator. Every calibration operation on thermostats, pressure switch and whatever component of the refrigerating circuit, the personnel of the Service Pfannenberg only is competent. For further information on chiller installation, start-up or troubleshooting please contact PFANNENBERG Sales Support.

10. Decommissioning, disposal

10.1 Decommissioning and storage



WARNING

Danger of injury due to materials and substances

Improper work on the unit or opening of the refrigerant circuit can be damaging to health.

Always ensure that the unit is de-energized before working on the unit.

The unit must only be disposed of by qualified personnel and in accordance with applicable environmental regulations.

If the unit is no longer needed for a longer period, it must be disconnected from the voltage supply.

☒ Ensure that improper start-up by third parties is not possible.

10.2 Final decommissioning or disposal



WARNING

Danger of accidents due to the heavy weight of the units

Uncontrolled movements of the unit during decommissioning can cause accidents.

Use suitable lifting equipment and secure unit to prevent accidents.

Also, secure assembled components.



CAUTION

Danger of injury due to sharp edges

For manufacturing reasons, the metal edges of the unit may have burrs.

Wear gloves during service and assembly work.

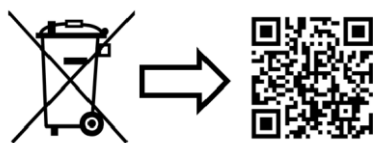
If units are to be definitively decommissioned or disposed of, the following must be observed:

Applicable statutory regulations of the user country and environmental protection regulations must be observed.

Refrigerant must be professionally extracted from the refrigerant system. Avoid refrigerant emissions.

The unit must only be disposed of by authorized, qualified personnel.


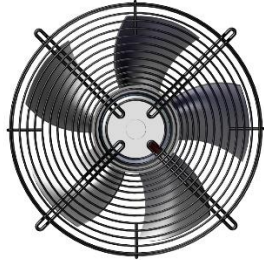
Waste equipment must also be disposed of correctly by Pfannenberg. Freight charges for delivery to one of our manufacturing facilities must be pre-paid.



www.pfannenberg.com/disposal

Debug Table

The information described below are useful for the service staff. The faults that require the intervention of a refrigeration engineer must be carried out only by specialized staff. Follow all electrical legislation when working on the unit based on valid laws of the countries where the unit is placed.

Chiller		
Problem	Cause	Possible corrective Action
The unit does not start up	No supply voltage	Check the supply main voltage line
	Not working thermostat	Inspect the connection, verify the auxiliary circuit fuses and, if there is no fault, replace the thermostat. 
	The compressor protector (KLIXON, where installed) has switched off	Note: The compressors are protected against high temperatures and currents, with of an internal or external device (Klixon). The internal/external device protects the compressor against the following situations: <ul style="list-style-type: none"> • overheating due to an inadequate cooling of the compressor motor. • Blocked compressor due to a high temperature of the motor or a high current. • Loose connections which may cause high currents
It works, but does not cool	There is not enough gas in the equipment	Service by a refrigeration engineer
	Faulty thermostatic valve	Service by a refrigeration engineer
	Too high heat load	Possible wrong application, to be checked with our staff
	Not working thermostat	Check and correct the parameter settings
	Not correct flow rate on hydraulic circuit	Verify the regulation of hydraulic bypass where installed Verify circuit pressure drop to reach the nominal flow rate
Refrigerant Cycle is not working		
Problem	Cause	Possible corrective Action
Switching of the high pressure switch	The unit does not work. The causes are:	
	<ul style="list-style-type: none"> • Dirty condenser 	Clean the condenser, in accordance with procedure described in Appendix B1.
	<ul style="list-style-type: none"> • The fan is broken 	Replace the fan 
	<ul style="list-style-type: none"> • Too high ambient temperature 	Check that the chiller is located in a place that can guarantee suitable ventilation of the refrigerating unit. Check that the ambient temperature does not exceed the max T indicated on the chiller label.

Note: after solving the cause of the fault, start the chiller by pressing the esc button (for 3 second) located on the thermostat (see the picture)

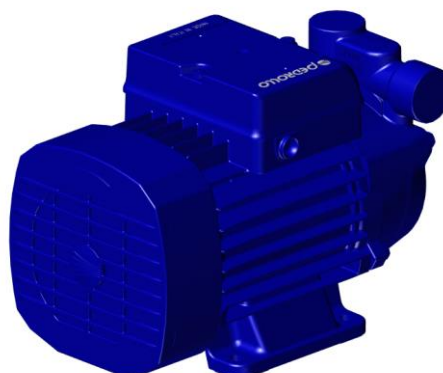


Compressor

Problem	Cause	Possible corrective Action
The compressor works continuously and the chiller can't control the liquid temperature:		
<ul style="list-style-type: none"> - too low temperature of the liquid - too high temperature of the liquid 		
Too low temperature	Broken thermostat (contact blocked)	Replace the thermostat
Too high temperature	Broken thermostat	Replace the thermostat
	Not enough Freon in the unit	Please ask for the service by a refrigeration engineer
	Too high heat load	Possible wrong application, to be checked with our staff

Pump

Problem	Cause	Possible corrective Action
No flow rate in the circuit	Pump is down	Replace the pump
	Not correct flow rate on hydraulic circuit	Verify the regulation of hydraulic bypass where installed
		Verify circuit pressure drop to reach the nominal flow rate



APPENDIX A1



Commissioning
„Open loop cooling circuit“



Canister



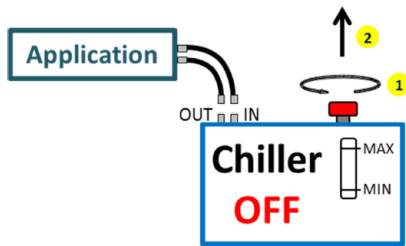
Tools



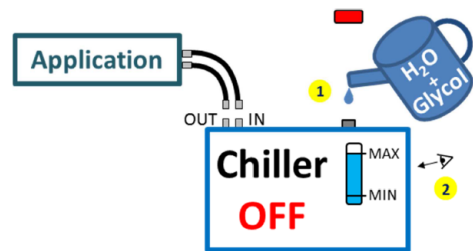
Time



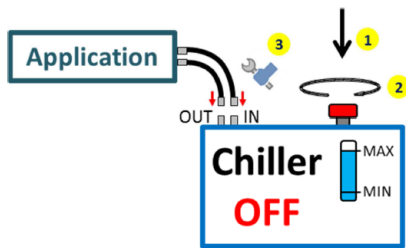
1



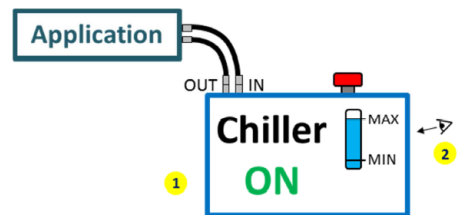
2



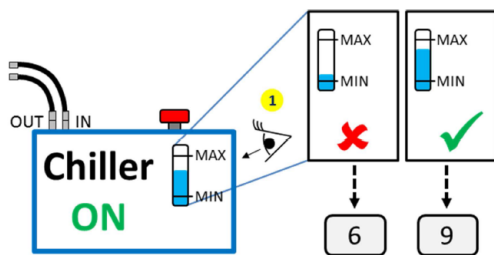
3



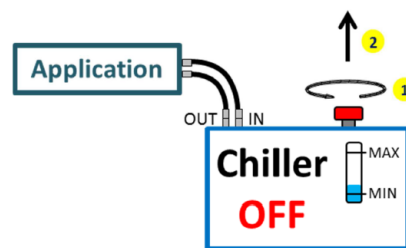
4



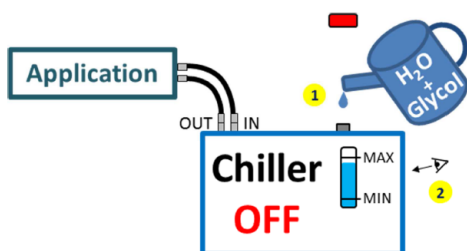
5



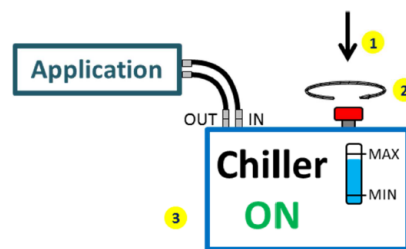
6



7



8



APPENDIX B1

Maintenance / Check and Inspections



CAUTION: Before any maintenance intervention, not needing the machine running, disconnect the supply voltage and put the signal MAINTENANCE IN PROGRESS next to the lockable main switch in “Off” position.

Carrying out the tests and check program listed below will extend the life of the equipment and avoid possible breakdowns.

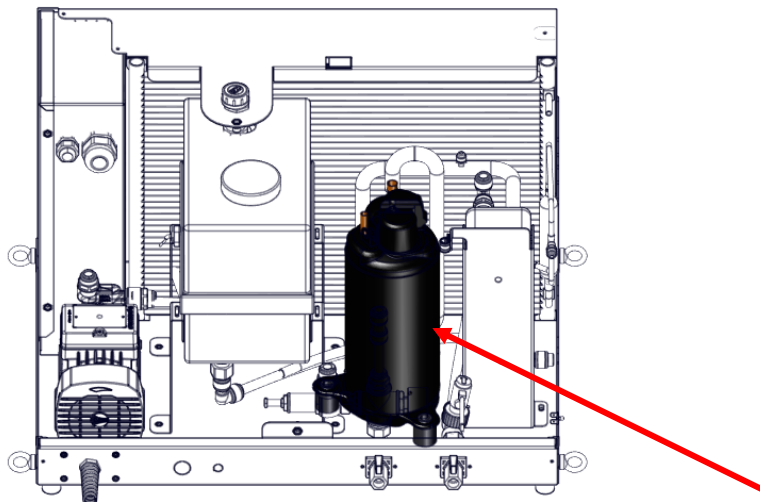
Please Note: it is of utmost importance the compliance with **Regulation (UE) No 517/2014**, regarding mandatory regular leakage-check program, as described in Section 2 of this Operating and Maintenance Manual.

To have access to the components internally to the unit, unscrew the lateral screws on the cover, the one on the top (near to filling port) and in the back panel.



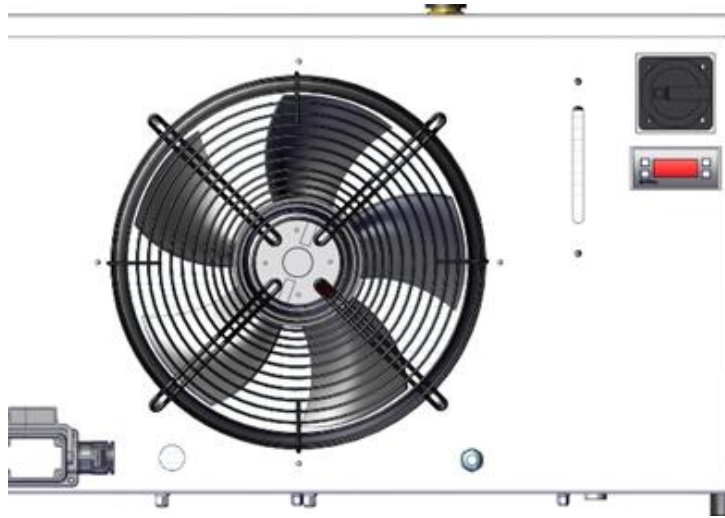
Picture 14 – screws to be removed to have access to the chiller

- Check mechanical working of the compressor . Control the absence of metallic vibrations and not too high noises and temperatures on the compressor head during running to verify its regular working.



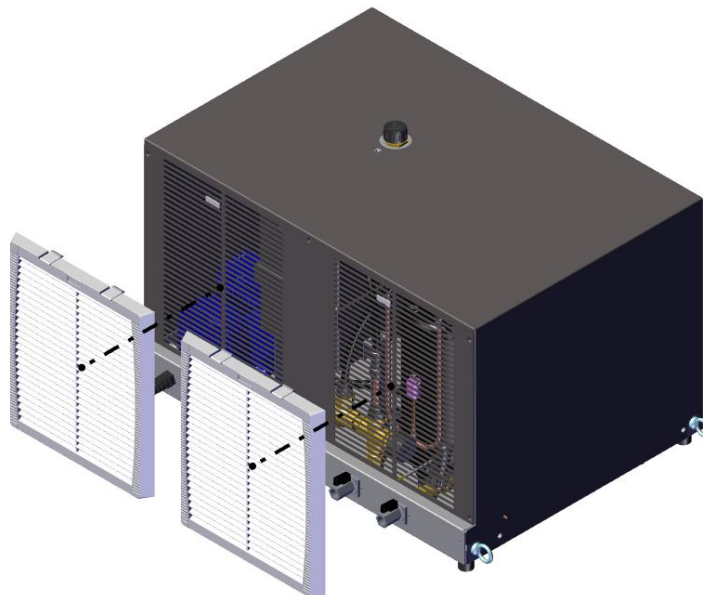
Picture 15 – Compressor placement

- Check the operation of the fan.



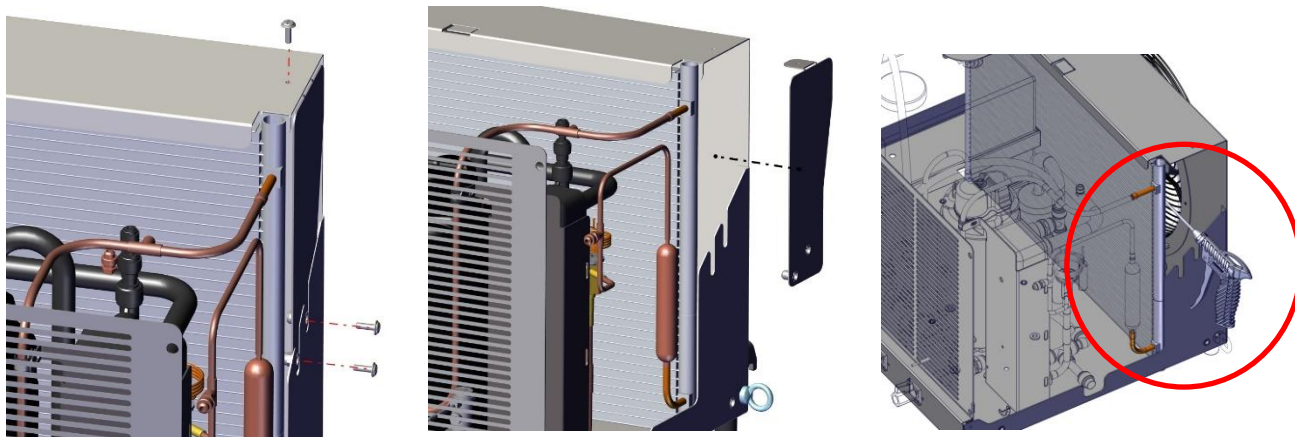
Picture 16 – Fan placement

- Check the electrical alarm systems and controls.
- Check the filling of the tank (visual level). If the system is filled with a glycol-mix, refill only with the same mix.
- Check that pressure, flow rate and temperature values of the hydraulic circuit are included into the limits indicated on the machine label.
- If the chiller is equipped with an air filter, the filter has to be changed/cleaned monthly, or, if required in a shorter time interval



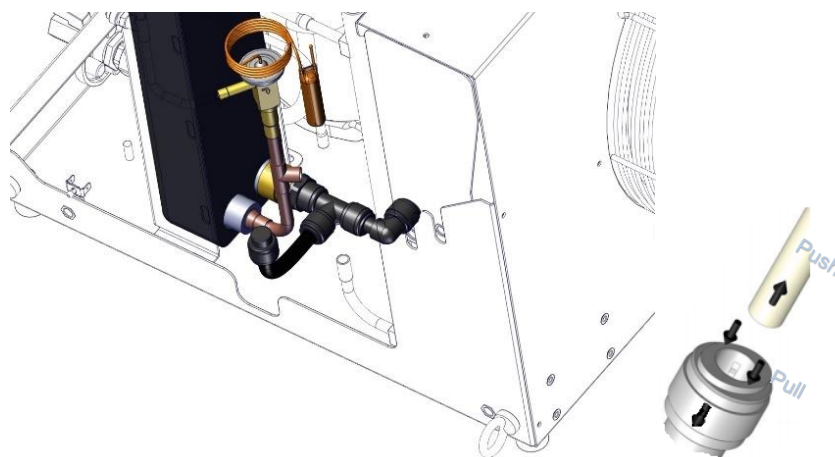
Picture 17 – Air filter changing

- The condenser must be cleaned in monthly intervals, or, if required in shorter time intervals. To have access to the right side of the condenser, open the cover of the chiller, and remove the bracket on the lateral side of the condenser, cleaning it from the interspace between the condenser and the fan. Only compressed air (not water or solvents) must be used to clean the surface of the condenser. The fins of the condenser must not have any dust deposits or residual products or sludges on their surface.



Picture 18 – Condenser cleaning

- If the Chiller is equipped with a filter on the hydraulical side, the filter has to be checked/cleaned monthly, or if required, in a shorter time interval
- It's recommended to change the water glycole mixture 20% every year (every 2 years if it's a 30% or 50% glycole mixture) to allow the operation of the unit in the best conditions.
- Longer standstill of the chiller requires draining of the tank and complete water circuit. Connect a pipe to the hose connector in the outlet of the evaporator and open the ball valve to empty the whole hydraulical circuit.



Picture 19 – Chiller draining

- For a new installation, it is recommended to empty the hydraulical circuit. Please, refer to chapter 4 for the lifting of the unit and chapters 6 and 10 for connection and start up.
- Please, familiarize with components described in Appendix B2 prior to proceeding with Service and Maintenance requiring refrigeration circuit sectioning.
- No device with internal volume greater than 25lt is installed on the refrigeration circuit, thus no further inspection from notified bodies is required according to D.M. nr.309 – December the 1st 2004.

The customer is intended to verify compliance with all additional local requirements in force


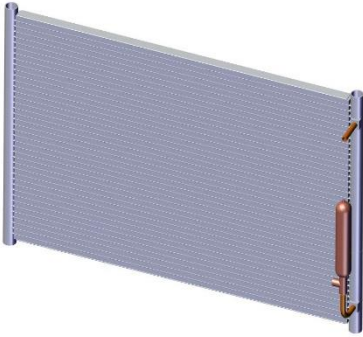
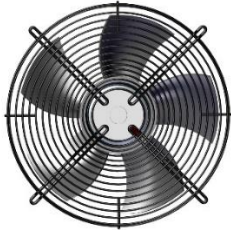
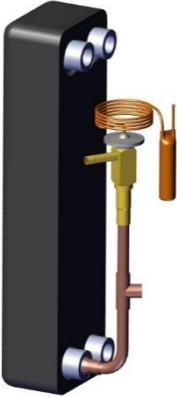

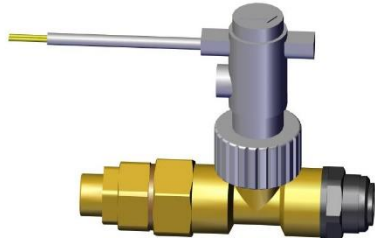


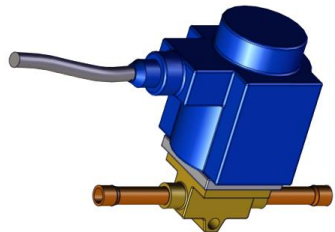
MAINTANANCE TABLE

Component	Intervention	Recommended time intervals
Air filter (if installed)	Blow with compressed air	1 month
Air Condenser	Blow with compressed air (max 2 Bar)	1 month
Tank Liquid level	Check and refill the level with filled circuit	1 month
Hydraulical filter (if installed)	Visual check and cleaning	1 month
Hydraulical circuit	Visual check of any losses	1 month
Vibration and noise	Check for any loose fastenings	1 month
Coolant (Ph-level)	Check Ph-level If less than 7 replace compleately coolant	3 to 6 months
Coolant (20% glycol)	Check concetration between 23% and 15%, if out of range replace compleately coolant	3 to 6 months
	Replace compleately coolant	1 year
Coolant (35% glycol)	Check concetration between 37% and 30%, if out of range replace compleately coolant	3 to 6 months
	Replace compleately coolant	2 years

NOTE: with harmes environmental conditions the required time intervals can be shorter.

APPENDIX B2

Electrical and mechanical components

<p>Compressor</p> 	<p>Condenser + Receiver drier</p> 	<p>Fan</p> 
<p>Thermostatic Valve / Evaporator</p> 	<p>High pressure switch</p> 	<p>Flow switch</p> 
<p>Pump</p> 	<p>[ACCESSORY]: Air filter</p> 	<p>[OPTIONAL]: Hot Gas By-Pass</p> 

Betriebs- und Wartungsanleitung



PC2500/3500 WT CE STD

HERSTELLER

DASSI S.r.l. – Member of the Pfannenberg Group

Via La Bionda, 13 I-43036 Fidenza (PR)

Tel. +39 0524-516711 Fax +39 0524-516790

E-Mail: info@pfannenberg.it

Kundendienstunternehmen Pfannenberg

ITALIEN
Pfannenberg Italia s.r.l.
Via La Bionda, 13 I – 43036 FIDENZA (Parma)
Tel. +39 0 524 / 516-711 – Fax +39 0 524 / 516-792
info@pfannenberg.it - www.pfannenberg.com

DEUTSCHLAND
Pfannenberg GmbH
Werner-Witt-Straße 1. D -21035 Hamburg
Tel. +49 40 / 73412-105 – Fax +49 40/ 73412-101
info@pfannenberg.com - www.pfannenberg.com

U.S.A.
Pfannenberg Inc
68 Ward Road. Lancaster, NY 14086
Tel. +1 716 / 685-6866 – Fax +1 716 / 681-1521
info@pfannenbergusa.com - www.pfannenberg.com

CHINA
Pfannenberg (Suzhou) Pte Ltd
5-1-D, No.333 Xingpu Road
Modern Industrial Park, SiP,
Suzhou 215021, Jiangsu Province, P.R.C
Tel: +86-512 6287 1078 –Fax: +86-512 6287 1077
info@pfannenberg.cn - www.pfannenberg.cn

ASIEN
Pfannenberg Asia Pacific Pte Ltd
61 Tai Seng Avenue
B1-01 UE Print Media Hub
Singapore 534167
info@pfannenberg.com - www.pfannenberg.com

Für den Kundendienst wenden Sie sich bitte an das Pfannenberg-Kundendienstunternehmen in Ihrer Nähe.

Inhaltsverzeichnis

1. Garantie 28

2. Sicherheit 28

3. Restrisiken 30

4. Empfang und Auspacken 32

5. Positionierung des Rückkühlers 33

6. Anschlüsse 34

7. Wasser / Kühlflüssigkeiten 37

 7.1 Wasserqualität 37

8. Umgebungstemperatur 38

9. Inbetriebsetzung des Rückkühlers 38

10. Außerbetriebnahme, Entsorgung 44

10.1 Außerbetriebnahme und Lagerung 44

10.2 Endgültige Außerbetriebnahme oder Entsorgung 44

Tabelle zur Lokalisierung der Störungen 45

 ANLAGE A1 47

 ANLAGE B1 48

 ANLAGE B2 52

1. Garantie

Informationen zur Gewährleistung erhalten Sie bitte auf unserem Website Pfannenberg <http://www.pfannenberg.com/de/unternehmen/agb/>

2. Sicherheit

Der Installateur und das für den Rückkühler zuständige Personal müssen diese Anleitungen vor der Inbetriebsetzung der Maschine lesen.

Alle in diesem Heft enthaltenen Sicherheitsanleitungen beachten.

Für Installation, Betrieb und Wartung ist ausschließlich qualifiziertes Personal einzusetzen.

Das Nichtbeachten dieser Anleitungen kann zu Verletzungen des Personals führen und entbindet den Hersteller von jeglicher Haftung für die daraus hervorgehenden Schäden.

Auf jeden Fall muss den nationalen Unfallverhütungsvorschriften, den Vorschriften der lokalen Behörden für Elektrizität sowie allen anderen spezifischen Sicherheitsanweisungen für Rückkühler Genüge geleistet werden.


Die Sicherheit des Geräts ist nur für den Einsatz gewährleistet, für den es vorgesehen ist.

Vor Inbetriebnahme und während des Betriebs des Rückkühlers sind die nachstehenden Anweisungen zu beachten:

- Vertrautheit mit allen Steuervorrichtungen erwerben.
- Sicherstellen, dass alle auf dem Typenschild der Einheit angegebenen Betriebsgrenzwerte beachtet werden.
- Die elektrische Isolierung unter Einsatz von geeigneter Schutzvorrichtungen überprüfen. An Geräten, die unter Spannung stehen, nicht mit nasser Kleidung, nassen Händen oder Füßen arbeiten.
- Kühlmittel nicht in die Umwelt gelangen lassen, da sie für die Gesundheit gefährlich sein könnten.
- Keine Änderungen irgendwelcher Art an den Komponenten des Rückkühlers vornehmen.
- Vor Eingriffen aller Art am Rückkühler zuerst die Stromversorgung abtrennen und den Druck aus den unter Druck stehenden Teilen ablassen.
- Ein qualifizierter, für die Inbetriebnahme zuständiger Techniker muss sicherstellen, dass der Anschluss des Rückkühlers an das Stromnetz gemäß der Norm EN 60204 sowie gemäß jeder anderen anwendbaren nationalen Norm erfolgt ist.

Es folgt ein Verzeichnis möglicher Risiken, denen das Personal bezüglich seiner Gesundheit und Sicherheit während der Inbetriebnahme und/oder dem Betrieb und/oder der Entsorgung ausgesetzt ist:

Risiko	Empfohlene Sicherheitsmaßnahme	zu beachtendes Restrisiko	Etikett
<i>Scharfe Kanten</i> (zum Beispiel: Rippen des Wärmetauschers und Kanten der internen Metallplatten)	Es wird die Anwendung von Schutzvorrichtungen empfohlen (zum Beispiel: Schutzhandschuhe und -kleidung)	-	

<i>Heiße Oberflächen</i> (zum Beispiel: Körper des Pumpen- oder Kompressor-Elektromotors und Kühlrohre aus Kupfer)	Es wird die Anwendung von Schutzausrüstungen empfohlen (zum Beispiel: Schutzhandschuhe und -kleidung)	-	
Kühlmittel unter Druck im Kühlkreislauf (PS-Angabe auf dem Daten-Etikett des Chillers)	Immer sicherstellen, dass der Hochdruck-Druckwächter einwandfrei funktioniert. Niemals den Kühlkreislauf für Wartungszwecke öffnen, bevor dieser druckentlastet wurde*.	In Anbetracht der Giftigkeit des Kühlmittels und des Vorhandenseins von Öl im Kreislauf wird empfohlen, bei der Ausführung von Wartungsarbeiten an den Rückkühlern geeignete Schutzhandschuhe und Schutzmaske zu tragen.	
Wasser/Glykol-Kühlmischung unter Druck im Hydraulikkreislauf (Angabe des Höchstdrucks auf dem Daten-Etikett des Chillers)	Immer sicherstellen, dass der Druck der Wasser-Glykol-Kühlmischung vor Abtrennen des Hydraulikgeräts zwecks Durchführung von Arbeiten vollständig abgelassen wurde (dazu das Entlüftungssystem und das Kugel-Füllventil benutzen).	In Anbetracht der Giftigkeit des Glykols und des Vorhandenseins von Öl im Kreislauf wird empfohlen, bei der Ausführung von Wartungsarbeiten am Hydraulikgerät geeignete Schutzhandschuhe und Schutzmaske zu tragen.	
<i>Stromschlag</i>	Die Stromversorgung immer abtrennen. Während der Arbeiten am Gerät ein Schild mit der Warnung ACHTUNG WARTUNGSARBEITEN gut sichtbar neben dem Hauptschalter anbringen.	-	
<i>Sich drehende Lüfter</i>	Vor Arbeiten an der Maschine immer die Stromversorgung abtrennen und sicherstellen, dass alle mechanischen Apparate ausgestellt sind.	-	
<i>Giftigkeit des Kühl- und Kältemittels</i>	Es wird die Anwendung von Schutzausrüstungen empfohlen (zum Beispiel: Schutzhandschuhe und -kleidung)	-	

***ZUR BEACHTUNG:** Aus Gründen des Umweltschutzes darf das Kühlmittel niemals direkt in die Atmosphäre abgelassen werden (die entsprechenden örtlichen Gesetze für die korrekte Entsorgung des Kühlmittels befolgen).

Die gesamten, mit dem Gerät gelieferten Unterlagen genau durchlesen und verstehen (zum Beispiel: manuelle Thermostat, mechanische Pläne und Schaltpläne), um einen unsachgemäßen Gebrauch der Anlage zu vermeiden.

Es ist **Pflicht**, der **Verordnung (EU) Nr. 517/2014** des Europäischen Parlaments und des Rates vom 16. April 2014 über bestimmte fluorierte Treibhausgase Folge zu leisten.

Diese Verordnung setzt spezifische Maßnahmen und Einschränkungen fest, die bei der Inbetriebnahme, dem Gebrauch, der Wartung und der Entsorgung von Treibhausgasen (z.B. HFC), wie in Anhang I spezifiziert, enthaltenden Geräten zu berücksichtigen sind.

Die Verordnung (EU) Nr. 517/2014 bestimmt auch (aber nicht nur) die Häufigkeit, mit der obligatorische Kontrollen durch zertifiziertes Personal ausgeführt werden müssen, um eventuelle Lecks festzustellen, und spezifiziert auch die vorgeschriebenen Register, in denen die genaue Menge der verwendeten fluorierten Gase sowie die eventuell hinzugefügte bzw. rückgewonnene Gasmenge wie in Artikel 3 (unten aufgeführt) beschrieben zu vermerken ist.

Artikel 3 → **Reduzierung der Emissionen**

Die Betreiber ortsfester Anwendungen in Form von Kälte- und Klimaanlage sowie Wärmepumpen, einschließlich deren Kreisläufen, sowie Brandschutzsystemen, die in Anhang I aufgeführte fluorierte Treibhausgase enthalten, müssen unter Einsatz aller technisch durchführbaren und nicht mit übermäßigen Kosten verbundenen Maßnahmen

- (a) das Entweichen der Gase aus Lecks verhindern und
- (b) alle entdeckten Lecks, aus denen fluorierte Treibhausgase entweichen, so rasch wie möglich reparieren.

Die Betreiber der in Absatz 1 genannten Anwendungen sorgen dafür, dass diese von zertifiziertem Personal, das den in Artikel 5 genannten Anforderungen genügt, nach folgenden Vorgaben auf Dichtheit kontrolliert werden:

- (a) Anwendungen mit **5 tonnen CO₂-Äquivalent** fluorierten Treibhausgasen **oder mehr** werden mindestens **einmal alle zwölf Monate** auf Dichtheit kontrolliert; dies gilt nicht für Einrichtungen mit hermetisch geschlossenen Systemen, die als solche gekennzeichnet sind und weniger als 6 kg fluorierte Treibhausgase enthalten;
- (b) Anwendungen mit **50 tonnen CO₂-Äquivalent** fluorierten Treibhausgasen **oder mehr** werden mindestens einmal **alle sechs Monate** auf Dichtheit kontrolliert;
- (c) Anwendungen mit **500 tonnen CO₂-Äquivalent** fluorierten Treibhausgasen **oder mehr** werden mindestens einmal **alle drei Monate** auf Dichtheit kontrolliert;

Nach der Reparatur eines Lecks werden die Anwendungen **innerhalb eines Monats** auf Dichtheit kontrolliert, um sicherzustellen, dass die Reparatur wirksam war.

Im Sinne dieses Absatzes bedeutet „auf Dichtheit kontrolliert“, dass die Einrichtung oder das System unter Verwendung direkter oder indirekter Messmethoden auf Lecks hin untersucht wird, wobei in erster Linie die Teile der Einrichtung oder des Systems, an denen am ehesten Lecks auftreten können, zu prüfen sind. Die direkten und indirekten Messmethoden der Kontrolle auf Dichtheit werden in den in Absatz 7 genannten Standardanforderungen für die Kontrolle auf Dichtheit im Einzelnen festgelegt.

Ist ein ordnungsgemäß funktionierendes und geeignetes Leckage-Erkennungssystem vorhanden, wird die Häufigkeit der gemäß Absatz 2 Buchstaben b und c erforderlichen Kontrollmaßnahmen halbiert.

Sofern bei Brandschutzsystemen ein Inspektionssystem bereits vorhanden ist, das der ISO-Norm 14520 entspricht, können diese Inspektionen auch die Anforderungen dieser Verordnung erfüllen, wenn sie mindestens ebenso häufig durchgeführt werden.

Die Betreiber der in Absatz 1 genannten Anwendungen, die **5 tonnen CO₂-Äquivalent** fluorierte Treibhausgase **oder mehr** enthalten, **führen** über Menge und Typ der verwendeten fluorierten Treibhausgase, etwaige nachgefüllte Mengen und die bei Wartung, Instandhaltung und endgültiger Entsorgung rückgewonnenen Mengen **Aufzeichnungen**. Sie führen ferner Aufzeichnungen über andere relevante Informationen, u.a. zur Identifizierung des Unternehmens oder des technischen Personals, das die Wartung oder Instandhaltung vorgenommen hat; außerdem werden Aufzeichnungen über die Termine und Ergebnisse der Kontrollmaßnahmen gemäß den Absätzen 2, 3 und 4 sowie über einschlägige Informationen zur Identifizierung der in Absatz 2 Buchstaben b und c genannten einzelnen ortsfesten Ausrüstungen der Anlagen geführt. Diese Aufzeichnungen werden der zuständigen Behörde und der Kommission auf Verlangen zur Verfügung gestellt.

Die Verordnung (EU) Nr. 517/2014 setzt sich ferner aus folgenden Artikeln zusammen: „**Geltungsbereich**“ – Artikel 1; „**Begriffsbestimmungen**“ – Artikel 2; „**Rückgewinnung**“ – Artikel 4; „**Ausbildung und Zertifizierung**“ – Artikel 5; „**Berichterstattung**“ – Artikel 6; „**Kennzeichnung**“ – Artikel 7; „**Beschränkung der Verwendung**“ – Artikel 8; „**Inverkehrbringen**“ – Artikel 9; „**Überprüfung**“ – Artikel 10; Artikel 11; „**Ausschuss**“ – Artikel 12; „**Sanktionen**“ – Artikel 13; Artikel 14; „**Inkrafttreten**“.



ACHTUNG! Gemäß der Verordnung in Sachen F-GAS (EU) Nr. 517/2014 ist der Bediener (der Besitzer des Geräts) verpflichtet, jedes Jahr zu gewährleisten, dass eine Überprüfung auf Gaslecks ausgeführt wird, dass die Veränderungen der in der Anlage vorhandenen Gasmenge aufgezeichnet werden und dass die entsprechenden Mitteilungen an die zuständige Behörde des Mitgliedsstaats der Europäischen Union, in dem das Gerät verwendet wird, erfolgen.

Damit die Leistungsfähigkeit Ihrer Kältemaschine nicht beeinträchtigt wird, empfehlen wir Ihnen, ausschließlich Originalersatzteile von KKT chillers zu verwenden.

Sie sichern somit die Zuverlässigkeit und die Qualität der Maschine.

Für Anfragen zu Ersatzteilen wenden Sie sich bitte an unser Pfannenberg Service Team (Kontaktdaten, S.34).

Für eine Beratung und eine auszuführende Wartung und Dichtigkeitsprüfung (gem. EU Verordnung 517/2014), wenden Sie sich bitte an den Pfannenberg Service.

Um dem Betreiber der Rückkühlanlage eine hohe Applikationssicherheit zu gewährleisten, empfehlen wir die Inbetriebnahme durch den Pfannenberg Service vorzunehmen. Hierdurch werden mögliche Kosten durch Anwendungsfehler vermieden.

3. Restrisiken

Nach Abschluss der Installation der Anlage sind einige Restrisiken zu berücksichtigen:

Restrisiken gemäß der Richtlinie 2006/42/EG:

- Die Außenoberfläche des Kondensators ist mit Rippen versehen. Daher besteht die Möglichkeit, dass der Bediener bei Arbeiten an der Anlage mit scharfen Kanten in Berührung gerät.
- Obwohl bei der Entwicklung der Anlage alle möglichen Sicherheitsvorrichtungen angewandt wurden, besteht im Falle eines externen Brandes die Möglichkeit, dass der Innendruck und die Innentemperatur der Anlage gefährlich und unkontrollierbar ansteigen. Den Umständen entsprechende Löschmittel verwenden.
- Für Geräte ohne Notschalter-Trenner: Chiller Benutzer muss den Notschalter Trenn Anlage in der Nähe des Kühlers, in einem zugänglichen und gut sichtbaren Stelle installieren, Not-Aus des Gerätes zu ermöglichen und für den Bediener saftefy.

- Wenngleich die in diesem Benutzer- und Instandhaltungshandbuch enthaltenen Anweisungen für Sicherheitszwecke hinreichend sind, wurden trotzdem Hochdruckschalter eingerichtet, die bei falschem Füllen oder einer Funktionsstörung der Anlage aufgrund unkontrolliertem Druck- oder Temperaturanstieg aktiviert werden.

Restrisiken gemäß der Richtlinie 2014/68/UE :

- Obwohl bei der Entwicklung der Anlage alle möglichen Sicherheitsvorrichtungen angewandt wurden, besteht im Falle eines externen Brandes die Möglichkeit, dass der Innendruck und die Innentemperatur der Anlage gefährlich und unkontrollierbar ansteigen. Den Umständen entsprechende Löschmittel verwenden.
- Für die Serienproduktion der Standard-Einheiten der Klasse I werden die Druckfestigkeitsprüfungen (üblicherweise die hydrostatische Druckprüfung) an einer statistischen Stichprobe und nicht an allen Einheit ausgeführt. Dieses Verfahren ist in Anbetracht aller Sicherheitsvorrichtungen, mit denen die Einheiten ausgestattet sind, akzeptierbar.
- Für Geräte ohne Notschalter-Trenner: Chiller Benutzer muss den Notschalter Trenn Anlage in der Nähe des Kühlers, in einem zugänglichen und gut sichtbaren Stelle installieren, Not-Aus des Gerätes zu ermöglichen und für den Bediener saftedy.
- Wenngleich die in diesem Benutzer- und Instandhaltungshandbuch enthaltenen Anweisungen für Sicherheitszwecke hinreichend sind, wurden trotzdem Hochdruckschalter/ Sicherheitsventil eingerichtet, die bei falschem Füllen oder einer Funktionsstörung der Anlage aufgrund unkontrolliertem Druck- oder Temperaturanstieg aktiviert werden.

4. Empfang und Auspacken

Jeder Rückkühler wird fest verzurrt auf einer Holzpalette ausgeliefert. Als zusätzlicher Schutz der Seitenwände und des Gesamtgerätes, wird der Rückkühler komplett in Schutzfolie eingewickelt.

Die einzelnen Einheiten sind in einem Pappkarton verpackt.

Es wird empfohlen, beim Handling und Transport der Einheit besonders vorsichtig zu sein, und die Einheiten vertikal in der Verpackung zu bewegen, um eine Beschädigung des Außenrahmens und der Innenkomponenten zu vermeiden.

Die Geräte mit geeigneten Riemen am Transportmittel befestigen.

Zur Beachtung: Die oben angegebenen Verpackungen sind zum Aufeinanderstellen von max. 2 Einheiten geeignet.

Der Rückkühler an einem trockenen, kühlen Ort lagern, fern von Wärmequellen. Das gesamte Abfallmaterial vorschriftsgemäß entsorgen.

Beim Heben und Handling ist ein Gabelstapler mit geeigneter Tragkraft zu verwenden. Die Gabeln müssen länger sein, als der Sockel des Rückkühlers breit ist. Abrupte Bewegungen vermeiden, durch die der Rahmen oder die internen Teile beschädigt werden könnten. Die PFANNENBERG-Rückkühler in der Standard-Ausführung (Gewicht über 45 kg) sind ferner mit 4 Augenschrauben zum Heben und für den Transport ausgestattet, die nur für das vertikale Laden/Abladen zu verwenden sind (für den korrekten Hebepunkt sind die an der Einheit vorhandenen Aufkleber zu beachten). Falls Kranösen nicht serienmäßig enthalten sind, können diese als Zubehör bereitgestellt werden.



ACHTUNG! Die Rückkühlanlage muss ohne Flüssigkeit im Tank transportiert und bewegt werden

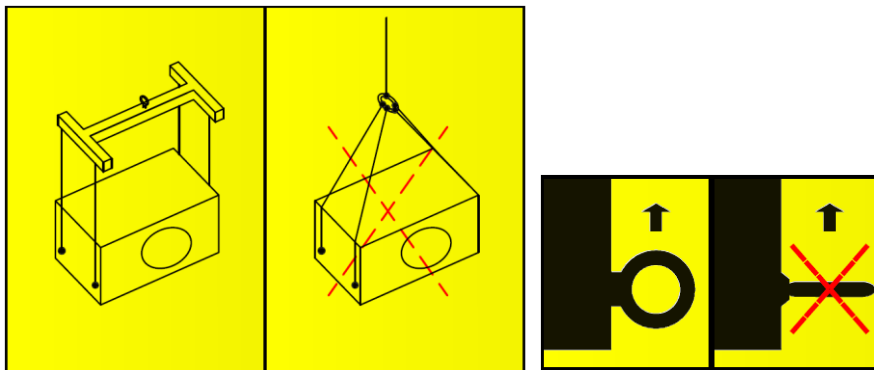


Abbildung 1- Chiller heben

Abbildung 2 - Ösenschraube, richtig angebracht

Direction of pull	Heberichtung
DO not use at 45° or less	Nicht mit einem Neigungswinkel gleich oder unter 45° heben.

Nachdem der Rückkühler seine endgültige Position erreicht hat, sind die internen Verbindungen zu prüfen, um Schäden während des Betriebs zu vermeiden.

5. Positionierung des Rückkühlers

Der Rückkühler in einem vor eventuellen Bearbeitungsrückständen (Splitter, Staub usw.) geschützten, gut belüfteten, von Wärmequellen und direkten Sonnenstrahlen entfernten Bereich aufstellen, der möglichst in der Nähe des Verwenders liegen sollte, um einen Druckverlust in den Hydraulikschläuchen zu vermeiden. Zum Nivellieren des Kühlgeräts die verstellbaren Füßchen (wo eingebaut) benutzen.

Nicht geeignet für

Die Rückkühlanlage kann nicht auf bewegliche, oder geneigte Teile eingebaut werden

Der Kunde muss einen geeigneten Aufstellplatz bereitstellen, wie auf der folgenden Abbildung dargestellt ist:

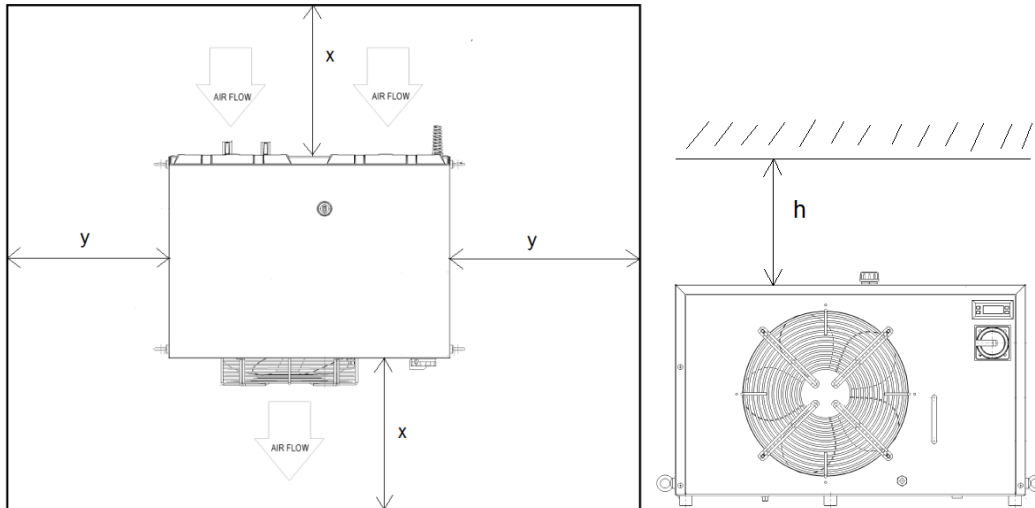


Abbildung 3 – Raum minimale Abmessungen, $x=y=h=0.5\text{ m}$

Für alle Geräte deren abschließbarer Hauptschalter gemäß IEC 60204-1 nicht min. 0,6 m oberhalb des Aufstellbodens liegt, müssen diese so aufgestellt sein, dass der Mindestabstand eingehalten wird.



ACHTUNG! Es ist strikt verboten, die Standard-Einheit im Freien aufzustellen, auch wenn sie durch ein Dach geschützt ist.

Für die Installation im Freien sind nur die entsprechend ausgelegten Einheiten zu verwenden.

Für eine bequemere und leichtere Ausführung der Wartungs- und Einstellarbeiten ist der Rückkühler in einer Höhe von 0,3 m bis 1,0 m über der Höhe, in der sich die Wartungsvorrichtungen befinden, zu positionieren.

Die PFANNENBERG-Rückkühler müssen auf einer Fundamentplatte aus Beton aufgestellt werden, die mindestens 30 cm über den Umriss des Rückkühlers überstehen muss, um Beschädigungen (zum Beispiel durch Geräte zur Pflege der Grünflächen usw.) zu vermeiden. Der Rückkühler muss eben aufgestellt und angemessen befestigt werden. Er ist am Boden der Einheit mit 4 Schwingungsdämpfern ausgestattet, die das Abstützen und Befestigen des Rückkühlers sowie das Dämpfen von Schwingungen erlauben, was den Lärmpegel während des Betriebs senkt.

6. Anschlüsse



ACHTUNG! Bei der Installation sind zuerst die Hydraulikanschlüsse, dann die elektrischen Anschlüsse zu erstellen.



ACHTUNG! Die Kältemaschine wurde durch spezifische Reinigungsmittel gereinigt worden ist. Die eventuelle Erkenntnisse von Feststoffpartikeln im Hydrauliksystem kann dazu führen, den Verlust der Garantie.

Hydraulikanschlüsse. Für den Hydraulikanschluss ist Bezug auf das beige stellte Hydraulikschema zu nehmen. Bei der Erstellung der Anschlüsse sind Durchsatz und Strömungsrichtung des Kühlmittels (durch die Aufkleber INLET-OUTLET angegeben) zu berücksichtigen.



ACHTUNG! Vor dem Anschluss der Hydraulikschläuche ist der Tank zu füllen (wie im Inbetriebsetzungsverfahren beschrieben). Vor Inbetriebnahme des Rückkühlers müssen die Verschlusskappen der Hydraulikanschlüsse entfernt werden.

Platte der Hydraulikanschlüsse



Abbildung 4 – Platte für Hydraulikanschlüsse

Ablaufanschluss des Hydraulikkreislaufs

Zum Entleerungsverfahren siehe Anhang B1.

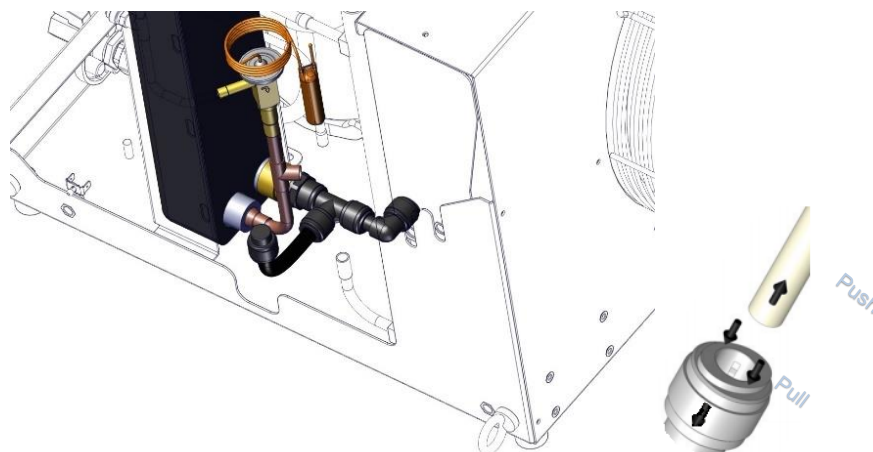


Abbildung 5 - Hydraulische Entleerungsverbindung



ACHTUNG! Bei mit Tank ausgestatteter Einheit ist dieser zu füllen, bevor die Hydraulikschläuche angeschlossen werden.

Stromanschlüsse

Die Stromanschlüsse der Einheit müssen durch den Kunden ausgeführt werden

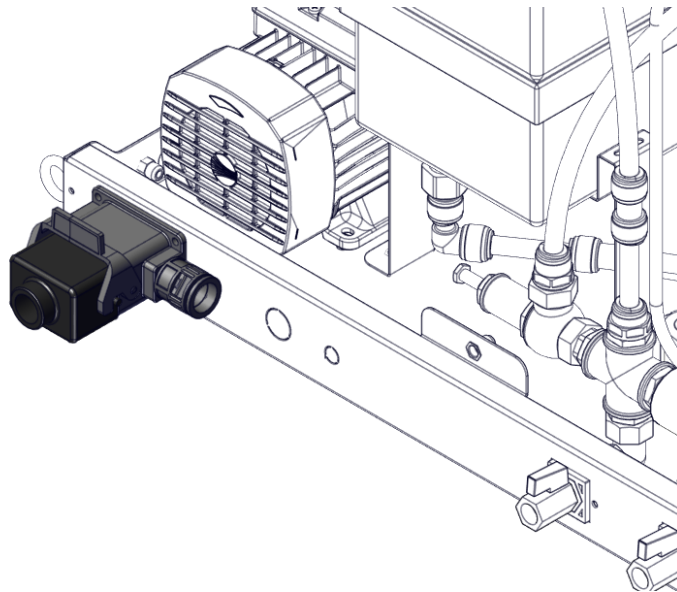


Abbildung 6a

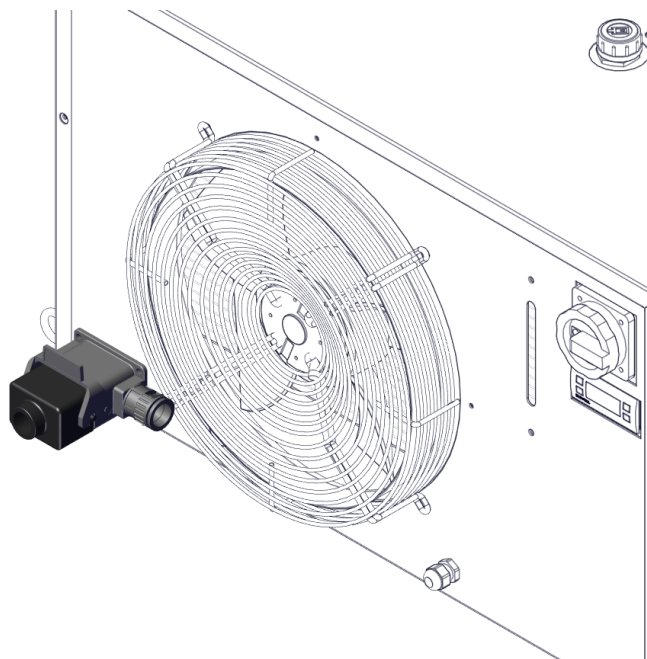


Abbildung 6b

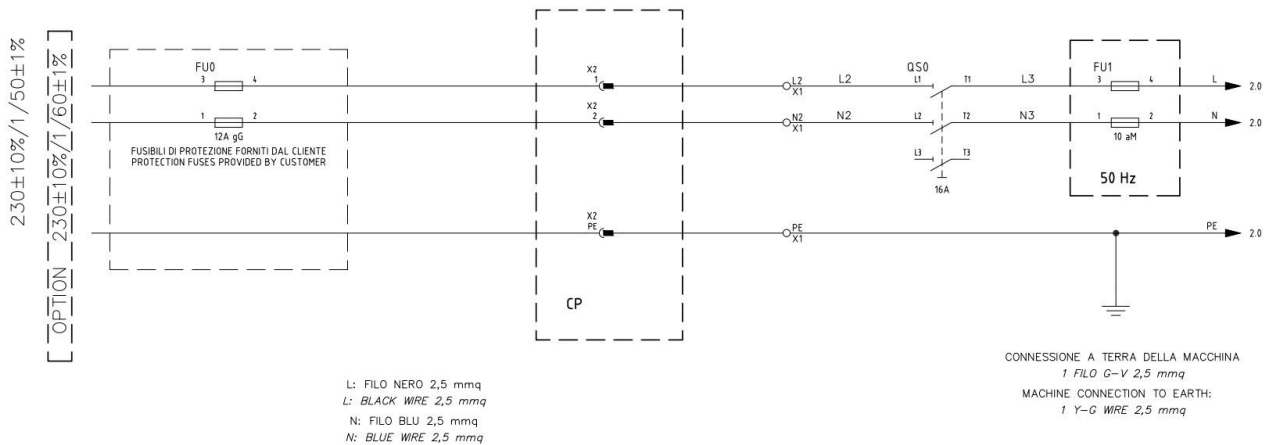


Abbildung 7a

Zur Beachtung:

- Bei Geräten die ohne Anschlusskabel für die Spannungsversorgung und Alarmsignale oder ohne Anschlussstecker ausgeliefert werden, müssen diese innerhalb des E-Kastens gemäß dem Gerät beiliegenden Elektroschaltplans an den hierfür vorgesehenen Anschlussklemmen kundenseitig verdrahtet werden. Bei der Elektroinstallation sind alle geltenden Sicherheitsvorschriften einzuhalten.
- Es ist notwendig, Schutzsicherungen (Hinweis im Elektroschaltplan) oder entsprechende Schutzschalter vor dem Netzanschlusskabel zu installieren. Sicherstellen, dass das System vorschriftsmäßig geerdet ist.
- Sicherstellen, dass Versorgungsspannung und -frequenz mit den Angaben auf dem Kennschild der Einheit und/oder auf dem beigefügten Schaltplan übereinstimmen.
- Die Pfannenberg-Rückkühler wurden für Erdungsanlagen des Typs TN entwickelt. Für die Dimensionierung vor Ort ist der max. Impedanzwert des Rückkühler-Störkreises zu verwenden (siehe im beigefügten Schaltplan spezifizierter Wert Zpe).
- Bei Geräten mit schwarzem Netztrenngerät, Notfalltrennschalter (nach IEC 60947-1, IEC 60947-2, IEC 60947-3) wird vom Kunden in der Nähe des Gerätes zur Verfügung gestellt werden

Spannungsgrenzen:

Der Betrieb der Pfannenberg-Rückkühler in der Standardausführung wird innerhalb folgender Grenzwerte gewährleistet (nach dem Standard CEI EN 60204-1):

- Nennspannung ± 10 % [V]
- Nennfrequenz ± 1 % [Hz]

Für die Nennbetriebsbedingungen der Einheit ist Bezug auf das Kennschild zu nehmen.

Nennbedingungen	V min [V]	V max [V]	f min [Hz]	f max [Hz]
230 V / 1 ~ / 50 Hz	207	253	49.5	50.5
230 V / 1 ~ / 60 Hz	207	253	59.4	60.6

Bei Geräten mit Sonderspannungen entnehmen Sie diese bitte dem Typenschild.

7. Wasser / Kühlflüssigkeiten

Die PFANNENBERG-Rückkühler müssen immer bis zum vorgeschriebenen Stand mit spezifischem inhibiertem Glykol für industrielle Rückkühlanlagen gefüllt werden. **Keine Frostschutzgemische für Kraftfahrzeuge verwenden.** Die bei Frostschutzmitteln für Kraftfahrzeuge verwendeten Inhibitoren können sich schnell zersetzen und den Verfall der Kühlbasis (Glykol) beschleunigen. Außerdem beschleunigen sie auch die Korrosion innerhalb des Systems. Die bei Frostschutzmitteln für Kraftfahrzeuge verwendeten Silikate lassen einen dünnen Film auf den Wärmetauschern entstehen, wodurch die Wärmeabgabe verringert wird. Außerdem können sie gelieren und das System verschmutzen oder verstopfen.

Das Verhältnis inhibiertes Glykol / Wasser muss derart bemessen sein, dass das Gefrieren bei der niedrigsten Umgebungstemperatur verhindert wird. Den Stand kontrollieren, wenn alle Leitungen gefüllt sind. **Die Glykalmischung muss periodisch (etwa alle 3-6 Monate) auf die korrekte Konzentration überprüft werden.** Zum Befüllen der Anlage immer eine vorgemischte Lösung mit der korrekten Konzentration verwenden, um den Frost- und Korrosionsschutz zu gewährleisten. **Es sollte destilliertes Wasser** verwendet werden, da Leitungswasser oft große Mengen an Chlor enthält, das ungünstig mit dem Glykol reagieren könnte.

ZUR BEACHTUNG: Wenn sich die Kundenanwendung mehr als 500 mm oberhalb der hydraulischen Anschlüsse der Rückkühlanlage befindet, kann nach Abschalten der Rückkühlanlage der Kälteflüssigkeitsträger innerhalb der Maschine und der Verrohrung zurück in den Tank fließen und somit ggf. zu einer Überfüllung führen. Um dies zu vermeiden, kann ein Rückschlagventil an der Speiseleitung und ein Magnetventil an der Rückflussleitung installiert werden.

Korrosionsschutz:

PFANNENBERG empfiehlt den Gebrauch von Glykol Pfannenberg Protect auch als korrosionshemmendes Mittel.

Der Glykolanteil an der Mischung hängt von der niedrigsten Betriebstemperatur der Mischung ab (die mit dem für die Einheit eingestellten niedrigsten Betriebswert übereinstimmen muss – siehe Technisches Datenblatt der Einheit):

Propylenglykol	Verdünnung %	Betriebstemperaturintervall		Gefrierpunkt
		Min [°C]	Max [°C]	
PP20P	20	+13	+101	-8
PP30P	30	0	+103	-14
PP50P	54	-25	+104	-38

Ethylenglykol	Verdünnung %	Betriebstemperaturintervall		Gefrierpunkt
		Min [°C]	Max [°C]	
PP20E	20	+13	+102	-8
PP30E	30	0	+103	-15
PP50E	50	-25	+108	-38



ACHTUNG! Die Glykolkonzentration ist umgekehrt proportional zur Wärmeemission, die von der Flüssigkeit erhalten werden kann.



ACHTUNG! Ethylenglykol (Pfannenberg Protect PP ... E) und Propylenglykol (Pfannenberg Protect PP ... P) weisen Unterschiede in der Viskosität und Toxizität auf. Ethylenglykol ist weniger viskos als Propylenglykol, so dass es eine höhere Effizienz bei der Wärmeübertragung hat, und somit eine bessere Leistungsfähigkeit bei niedrigen Temperaturen. Für Anwendungen, bei denen ein nicht-toxisches Verfahren zu gewährleisten ist, sind Glykole auf Propylenbasis zu verwenden.

Aufgrund seiner geringen Toxizität ist es insbesondere für Anwendungen in der Lebensmittel- und Getränke- sowie Pharmaindustrie geeignet.

In einigen Anwendungen ist die Verwendung von Propylenglykol vorgeschrieben.

7.1 Wasserqualität

Um den Hydraulikkreislauf sauber und perfekt funktionstüchtig zu halten, ist die Wasserqualität zu prüfen, um das Wasser gegebenenfalls aufzubereiten. Der Standardkreislauf eines Wasser-Rückkühlers ist ein halboffenes System, d.h., dass während

des Betriebs ein Teil des Wassers verdampft. Folglich neigt die Chlorkonzentration dazu anzusteigen und das Wasser des Systems kann daher zur Korrosion der Anlagenteile führen.

Wenn zur Verdünnung der Mischung Wasser verwendet wird, beachten Sie bitte folgendes:

- Es wird empfohlen, entmineralisiertes/ entsalztem Wasser (DM/DI) zu verwenden (verboten destilliertes Wasser).
- Die physikalische Verunreinigung des Wassers vermeiden. Wenn die Gefahr einer physikalischen Verunreinigung besteht, sind Wasserfilter zu verwenden.
- Das Wasser sollte keine zu hohe Härte besitzen. (siehe unten)
- Auf die chemische Verunreinigung achten. Wenn diese Verunreinigung ein Problem darstellt, ist das Wasser mit Passivierern und/oder Inhibitoren zu behandeln.
- Der biologischen Verunreinigung durch Myxobakterien und Algen vorbeugen. Wenn es zu einer solchen Verunreinigung kommt, ist das Wasser mit Bioziden zu behandeln.

PFANNENBERG empfiehlt die Wassereigenschaften zu prüfen, um die Güte des Wassers zu bestimmen.

Wasser Güteklasse A (keine Behandlung erforderlich):

Trinkbares Leitungswasser, frei von Verunreinigungen
pH:7-9
Härte:<5°dH
Leitfähigkeit:<50µS/cm
Chlor:<20 mg/l

Wasser Güteklasse B (Behandlung empfohlen):

Trinkbares Leitungswasser, frei von Verunreinigungen
pH:7-8, 5
Härte:<10°dH
Leitfähigkeit:<300µS/cm
Chlor:<50 mg/l

Wasser Güteklasse C (Behandlung vorgeschrieben)

Trinkbares Leitungswasser, frei von Verunreinigungen
pH:7-8,5
Härte:<20°dH
Leitfähigkeit:<500µS/cm
Chlor:<100 mg/l

8. Umgebungstemperatur

Die Kühlanlage ist für den Betrieb in dem Umgebungstemperaturbereich ausgelegt, der auf dem Typenschild angegeben ist. Für Umgebungstemperaturen außerhalb des angegebenen Bereichs muss der Hersteller kontaktiert werden. Hohe Umgebungstemperaturen verringern die Kühlleistung. Geringe Umgebungstemperaturen erfordern besondere Maßnahmen. Bei Flüssigkeitsheizungen könnte eine Vorrichtung erforderlich werden, die das Einfrieren verhindert und die Flüssigkeit im Tank der Anlage auf einer konstanten Temperatur hält, um Verzögerungen beim Anlaufen zu verhindern, wenn die Flüssigkeit auf Betriebstemperatur gebracht werden muss.

9. Inbetriebsetzung des Rückkühlers



ACHTUNG! EINGRIFFE AN DEN SCHALTKREISEN UND KÜHLKREISLÄUFEN DÜRFEN NUR VON QUALIFIZIERTEM PERSONAL AUSGEFÜHRT WERDEN.

ZUR BEACHTUNG: In der Folge werden die detaillierten Anleitungen für die einzelnen Inbetriebsetzungsphasen aufgeführt. Für eine Inbetriebsetzungs-Schnellanleitung siehe Anlage A1.

1. Den Hauptschalter auf „0“ (Off) stellen.

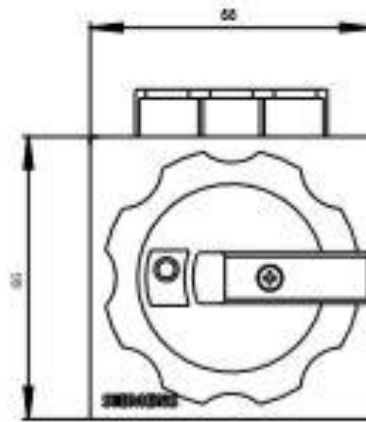


Abbildung 8 – Hauptschalter

2. RÜCKKÜHLER mit Tank: Den Stopfen des Befüllstutzens am Oberteil des Rückkühlers (außen) oder an der oberen Tankplatte (innen) entfernen.

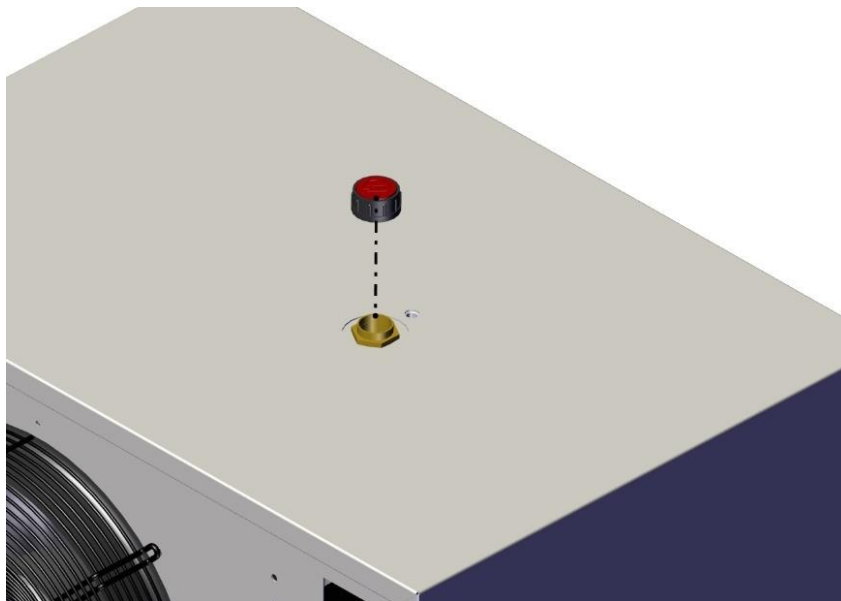


Abbildung 9 – Befüllstutzen

3. Den Tank bis zum Höchststand mit Wasser/Glykol-Mischung füllen. (die Wassergüte prüfen und entscheiden, ob das Wasser gemäß Spezifikationen der Anwendung behandelt werden muss).

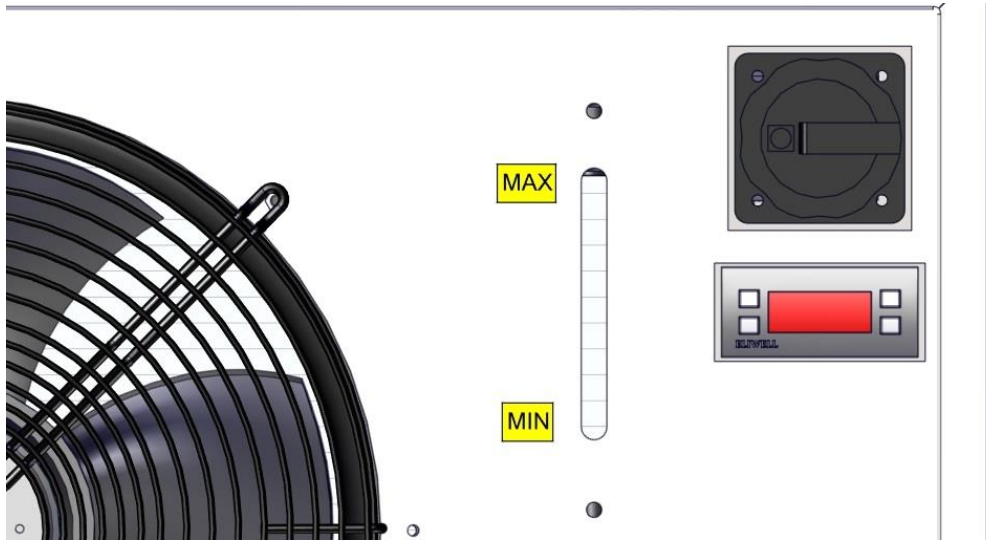


Abbildung 10 – Befüllverfahren und Höchststand

- Die Ein- und Ausgangsschläuche für Wasser anschließen.

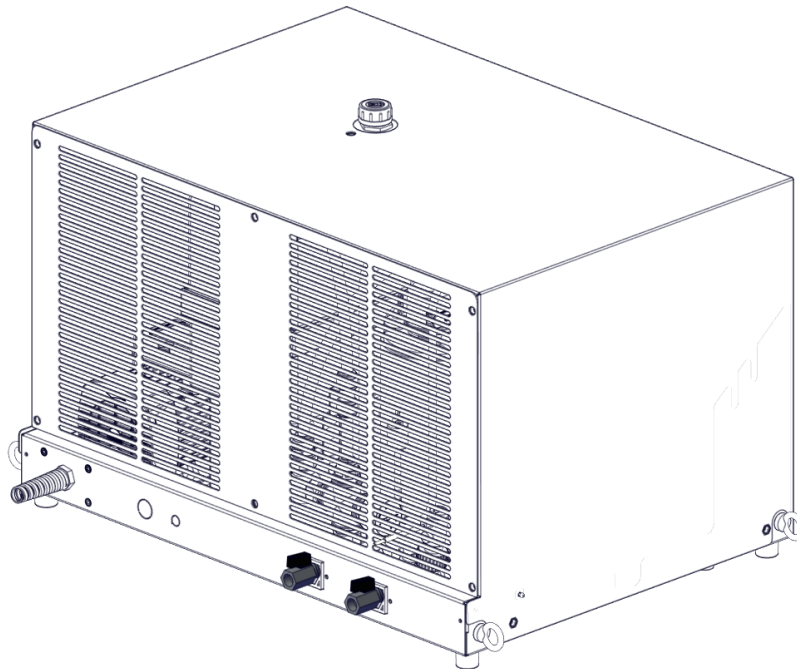


Abbildung 11 – Anschluss der Schläuche

- Den Anschluss an das Stromnetz des Kunden und des Alarmkabels mit der Ausrüstung des Kunden ausführen. Bei Geräten die ohne Anschlusskabel für die Spannungsversorgung und Alarmsignale oder ohne Anschlussstecker ausgeliefert werden, müssen diese innerhalb des E-Kastens gemäß dem Gerät beiliegenden Elektroschaltplans an den hierfür vorgesehenen Anschlussklemmen kundenseitig verdrahtet werden.

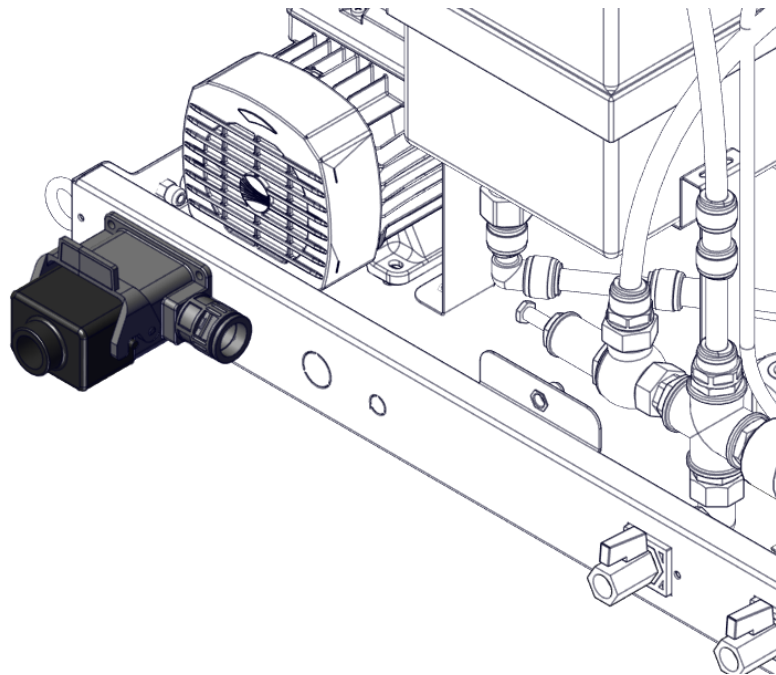
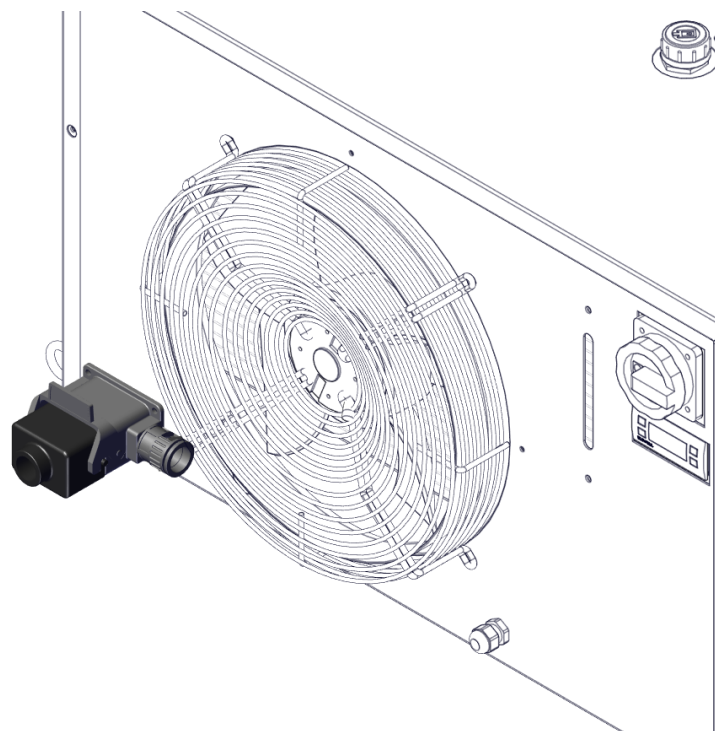
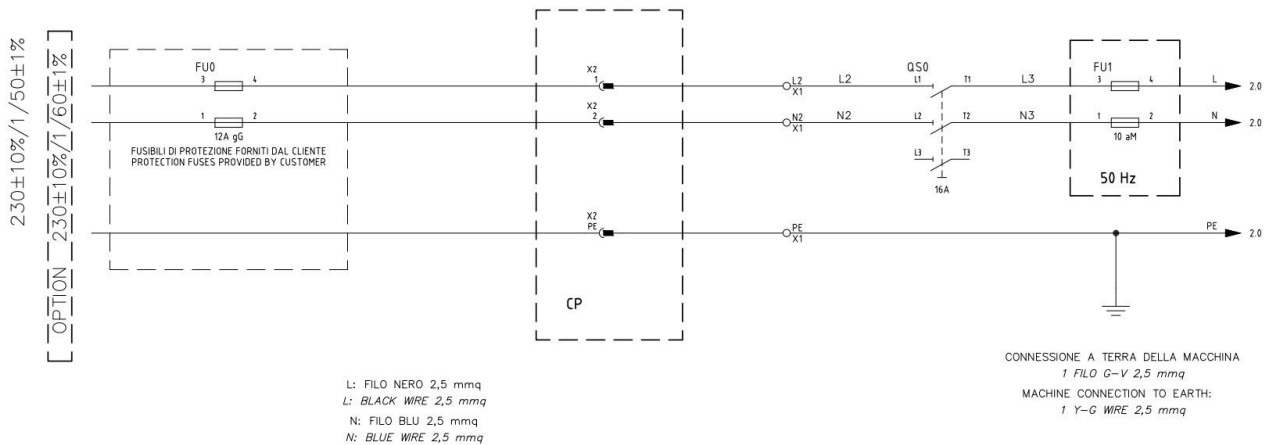


Abbildung 12a – Stromanschlüsse



Picture 12b– Electrical connections



Picture 12c– Electrical connections with cable

- Den Hauptschalter auf ON stellen; die Pumpe läuft automatisch an.; der Flüssigkeitsstand muss immer oberhalb dem Mindestniveau bleiben. Nach ca. 5 Minuten Betrieb des Hydraulikkreislaufs den Hauptschalter ausschalten und eine weitere Sichtkontrolle des Tankstands vornehmen; gegebenenfalls Mischung nachfüllen.

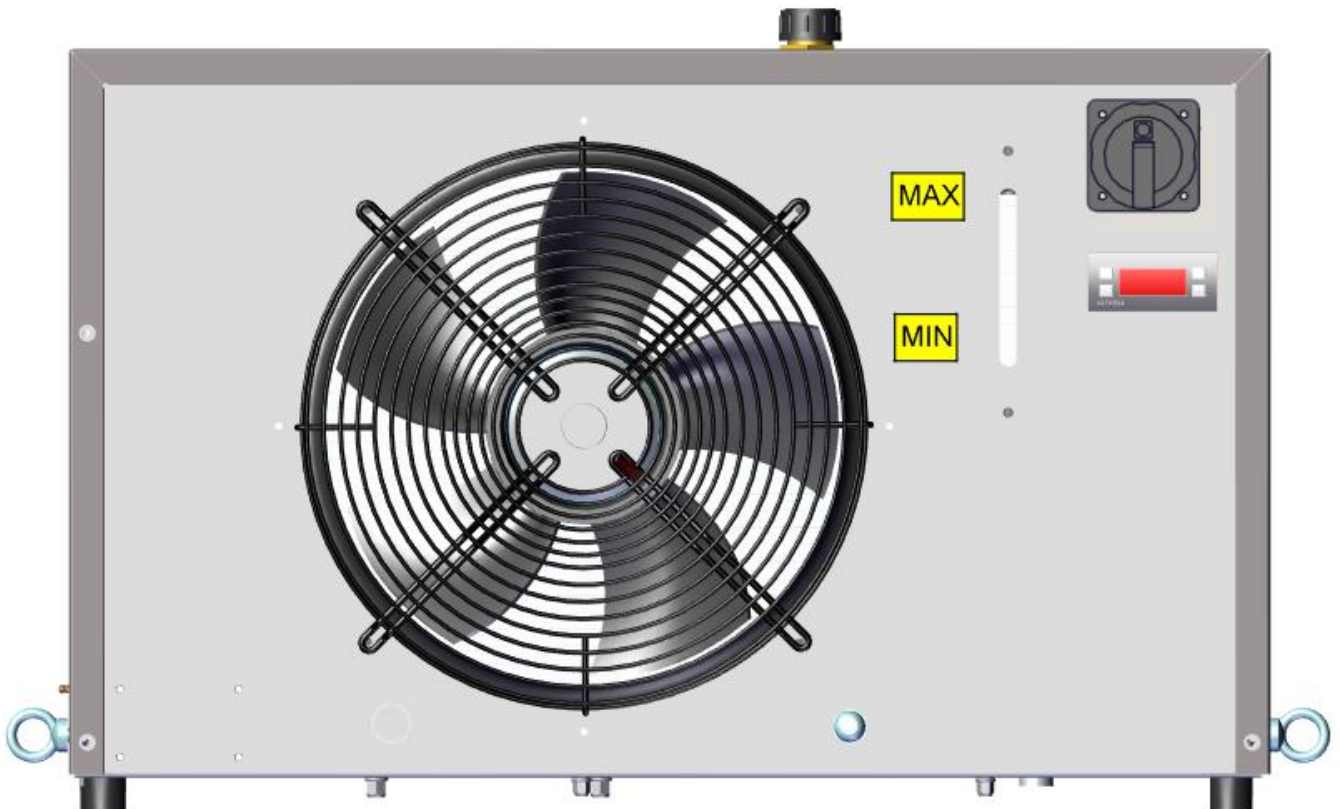


Abbildung 13 – Füllen des Tanks

Jetzt der Rückkühler automatisch mit den mittels der Steuerelemente „eingestellten Werten“ funktionieren. Wenn erforderlich, die Steuerelemente auf der Basis der Temperaturanforderungen des Kunden einstellen. (Bezug auf das Handbuch des mit der Einheit gelieferten Thermostats nehmen).

ZUR BEACHTUNG: Die Einheit funktioniert nur dann einwandfrei, wenn die Verkleidungstafeln montiert sind. Wenn diese aus irgendwelchen Gründen während der Installation des Rückkühlers entfernt wurden, müssen sie vor dem Einschalten der Einheit wieder angebracht werden.

Nach Abschluss der Installation benötigt der RÜCKKÜHLER keine Eingriffe durch einen speziell ausgebildeten Bediener. Die Kalibrierung der Thermostate, des Druckwächters und aller anderen Komponenten des Kühlkreislaufs hat ausschließlich durch den Kundendienst Pfannenberg.

Für weitere Informationen bezüglich Installation des Rückkühlers, Inbetriebsetzung oder Behebung von Störungen ist PFANNENBERG zu kontaktieren.

10. Außerbetriebnahme, Entsorgung

10.1 Außerbetriebnahme und Lagerung

WARNUNG

Verletzungsgefahr durch Materialien und Substanzen

Unsachgemäße Arbeiten am Chiller oder Öffnen des Kältemittelkreislaufs können zu Gesundheitsschäden führen.

Vergewissern Sie sich immer, dass der Chiller stromlos ist, bevor Sie Arbeiten am Chiller ausführen. Der Chiller darf nur von qualifiziertem Personal und unter Beachtung der geltenden Umweltbestimmungen entsorgt werden.

Wird der Chiller längere Zeit nicht mehr benötigt, muss es von der Stromversorgung getrennt werden.

☒ Stellen Sie sicher, dass eine unsachgemäße Inbetriebnahme durch Dritte nicht möglich ist.

10.2 Endgültige Außerbetriebnahme oder Entsorgung

WARNUNG

Unfallgefahr durch das hohe Gewicht der Geräte

Unkontrollierte Bewegungen des Geräts während der Montage können zu Unfällen führen. Verwenden Sie geeignete Hebezeuge und sichern Sie den Chiller, um Unfälle zu vermeiden. Sichern Sie auch zusammen- bzw. angebaute Komponenten.

VORSICHT

Verletzungsgefahr durch scharfe Kanten

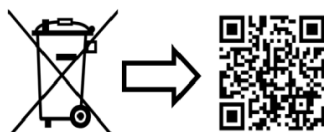
Aus fertigungstechnischen Gründen können die Metallkanten des Geräts Grate aufweisen. Tragen Sie bei Service- und Montagearbeiten Handschuhe.

Wenn Chiller endgültig stillgelegt oder entsorgt werden sollen, muss Folgendes beachtet werden: Die geltenden gesetzlichen Bestimmungen des Verwenderlandes und Umweltschutzbestimmungen sind zu beachten.

Das Kältemittel muss fachgerecht aus dem Kältemittelkreis abgesaugt werden. Kältemittlemissionen vermeiden.

Der Chiller darf nur von autorisiertem Fachpersonal entsorgt werden.


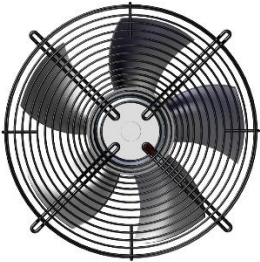
Auch Altgeräte müssen von Pfannenberg ordnungsgemäß entsorgt werden. Frachtkosten für die Lieferung an eine unserer Produktionsstätten müssen im Voraus bezahlt werden.



www.pfannenberg.com/disposal

Tabelle zur Lokalisierung der Störungen

Die in diesem Kapitel enthaltenen Informationen sind für das Kundendienst- und Wartungspersonal bestimmt. Die Störungen, die den Eingriff eines Kühltechnikers erfordern, können nur von Fachpersonal behoben werden. Bei Eingriffen an der Einheit sind alle Vorschriften in Sachen elektrische Anlagen und Gesetze des Landes zu befolgen, in dem die Einheit installiert ist.

Rückkühler		
Störung	Ursache	Mögliche Maßnahme zur Behebung
Das Gerät läuft nicht an.	Speisespannung fehlt.	Hauptstromleitung prüfen
	Thermostat funktioniert nicht	Verbindung überprüfen, Sicherungen überprüfen. Wenn das Problem fortbesteht, den Thermostaten ersetzen. 
	Der Kompressorschutz (KLIXON, wenn installiert) ist ausgeschaltet	Zur Beachtung: Die Kompressoren sind mittels einer internen oder externen Vorrichtung (Klixon) vor Temperaturspitzen geschützt. Diese interne oder externe Vorrichtung schützt den Kompressor vor: <ul style="list-style-type: none"> • Überhitzung infolge einer schlechten Kühlung des Kompressormotors. • Blockierung des Kompressors infolge einer zu hohen Temperatur oder zu hohen Stromaufnahme des Motors. • Lockerung der Anschlüsse, was zu Überstrom führen könnte.
Ist in Betrieb, kühlt aber nicht	Ungenügende Gasmenge im Gerät	Einsatz des Kundendienstes (Kühltechniker)
	Defektes thermostatisches Ventil	Einsatz des Kundendienstes (Kühltechniker)
	Zu hohe Wärmelast	Die Anwendung könnte falsch sein; mit unserem Personal überprüfen
	Thermostat funktioniert nicht	die Einstellungen der Werte kontrollieren und ggf. korrigieren
	nicht richtig fließen	Einstellung prüfen Hydraulik Bypass wo installiert überprüfen Sie die Lastverluste, um den Nenndurchfluss zu erreichen.
Der Kühlzyklus funktioniert nicht		
Störung	Ursache	Mögliche Maßnahme zur Behebung
Aktivierung des Druckwächters für hohen Druck	Die Einheit ist nicht in Betrieb. Mögliche Ursachen:	
	<ul style="list-style-type: none"> • Schmutziger Kondensator 	Den Kondensator entsprechend dem in Anhang B1 beschriebenen Verfahren reinigen.
	<ul style="list-style-type: none"> • Der Lüfter ist defekt 	Lüfter ersetzen. 
	<ul style="list-style-type: none"> • Zu hohe Umgebungstemperatur 	Prüfen, dass der Rückkühler an einem Ort aufgestellt ist, an dem eine geeignete Belüftung der Kühleinheit gewährleistet ist. Es ist außerdem sicherzustellen, dass die Umgebungstemperatur nicht über der Höchsttemperatur liegt, die auf dem Daten-Etikett des Kühlgeräts angegeben ist

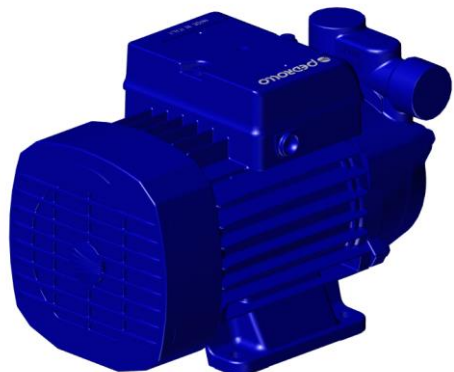
	•	<p>Zur Beachtung: Nach dem Beheben der Störungsursache der Rückkühler durch Drücken des Reset-Druckknopfs am Außenkörper des Druckwächters einschalten (siehe Abbildung)</p> 
--	---	--

Kompressor

Störung	Ursache	Mögliche Maßnahme zur Behebung
Der Kompressor bleibt ständig in Betrieb und dem Rückkühler gelingt es nicht, die Flüssigkeitstemperatur unter Kontrolle zu halten:		
- Die Temperatur der Flüssigkeit ist zu niedrig		
- Die Temperatur der Flüssigkeit ist zu hoch		
Temperatur zu niedrig	Thermostat defekt (Kontakt blockiert)	Thermostaten ersetzen
Temperatur zu hoch	Thermostat defekt	Thermostaten ersetzen
	Ungenügende Freon-Menge in der Einheit	Den Einsatz eines Kühltechnikers anfordern
	Zu hohe Wärmelast	Die Anwendung könnte falsch sein; mit unserem Personal überprüfen

Pumpe

Störung	Ursache	Mögliche Maßnahme zur Behebung
Kein Durchsatz im Kreislauf	Die Pumpe funktioniert nicht	Die Pumpe ersetzen.
	nicht richtig fließen	Einstellung prüfen Hydraulik Bypass wo installiert überprüfen Sie die Lastverluste , um den Nenndurchfluss zu erreichen.



ANLAGE A1



Commissioning
„Open loop cooling circuit“



Canister



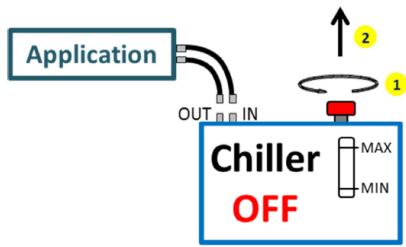
Tools



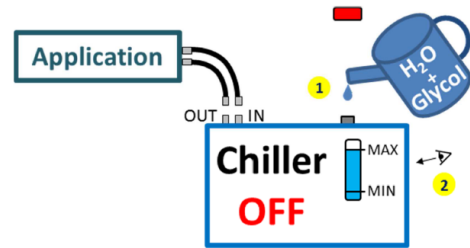
Time



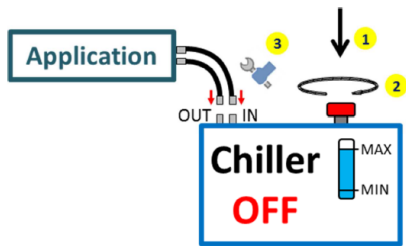
1



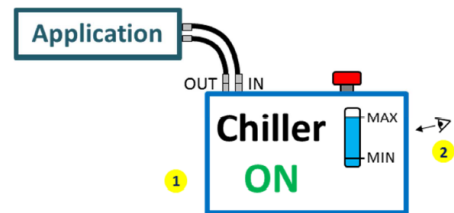
2



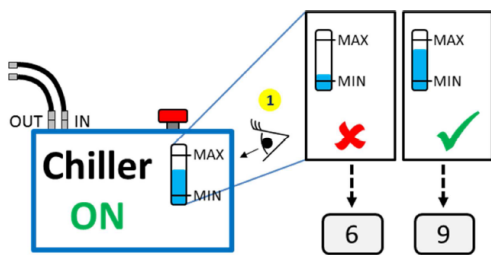
3



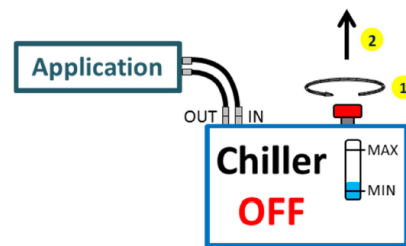
4



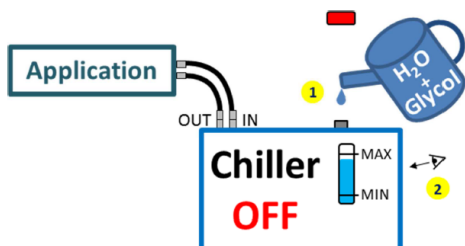
5



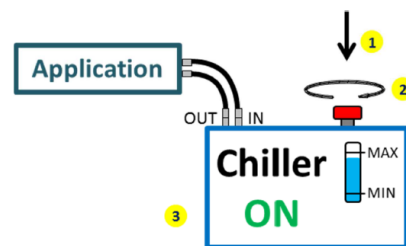
6



7



8



Commissioning „Open loop cooling circuit“	Inbetriebsetzung “Rückkühler mit offenem Kreislauf”
Canister H ₂ O + Glycol	Kanister H ₂ O + Glykol
Tools	Werkzeuge
Time- 30 min.	Zeit – 30 Min.
Application	Anwendung
Chiller OFF	Rückkühler OFF
Out	Out
In	In
Max	Max
Min	Min
H ₂ O + Glycol	H ₂ O + Glykol

ANLAGE B1

Wartung / Kontrollen und Inspektionen



ACHTUNG! Vor jeder Wartungsarbeit, bei deren Ausführung die Maschine nicht in Betrieb sein muss, ist die Stromversorgung zu unterbrechen und neben dem Hauptschalter ist das Schild „ACHTUNG WARTUNGSARBEITEN“ anzubringen.

Die Ausführung des unten aufgeführten Test- und Kontrollprogramms trägt dazu bei, die Lebensdauer des Geräts zu verlängern und eventuellen Störungen vorzubeugen.

Zur Beachtung: Bezüglich des Programms und der vorgeschriebenen Häufigkeit der Kontrollen zum Feststellen eventueller Lecks ist es von wesentlicher Bedeutung, sich an die in Kapitel 2 dieser Betriebs- und Wartungsanleitung aufgeführte **Verordnung (UE) Nr. 517/2014** zu halten.

- Für den Zugang zu den internen Bauteilen der Einheit die 4 seitlichen Schrauben der Abdeckung (2 pro Seite) herausrauben. Dann die Schraube oben (in der Nähe vom Befüllungsanschluss) sowie die Schraube im unteren Teil in der Mitte der Rückwand herausrauben.



Abbildung 14 -

- Den mechanischen Betrieb des Kompressors prüfen. Zum Prüfen des einwandfreien Betriebs des Kompressors ist während des Betriebs zu kontrollieren, dass keine mechanische Vibrationen und Geräusche oder zu hohe Temperaturen am Kompressorkopf vorhanden sind.

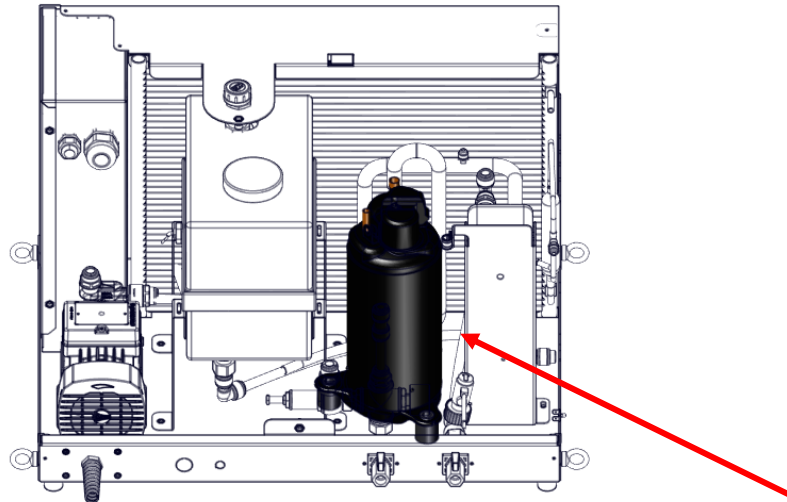


Abbildung 15 – Position des Kompressors

- Den mechanischen Betrieb des Lüfters prüfen.

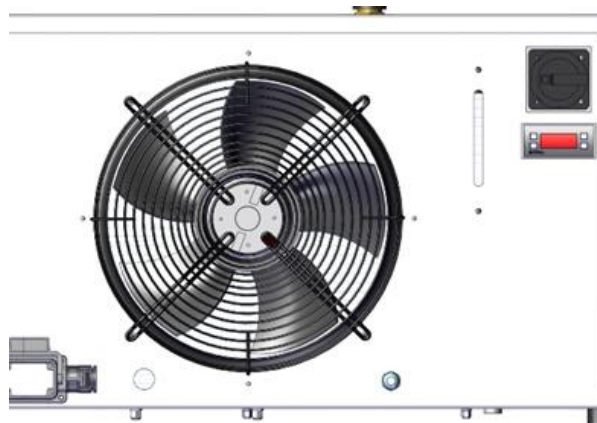


Abbildung 16 – Position des Lüfters

- Die Funktionstüchtigkeit der Steuerungen und der elektrischen Alarmanlagen prüfen.
- Füllstand des Tanks prüfen (Sichtkontrolle des Stands). Wenn die Anlage mit einer Glykollmischung gefüllt wurde, ist die gleiche Mischung nachzufüllen..
- Prüfen, dass die Druck-, Durchsatz- und Temperaturwerte des Hydraulikkreislaufs innerhalb der auf dem Kennschild der Maschine angegebenen Grenzwerte liegen.
- Wenn der Rückkühler mit einem Luftfilter ausgestattet ist, muss dieser einmal im Monat oder -wenn notwendig- auch häufiger ersetzt/gereinigt werden.

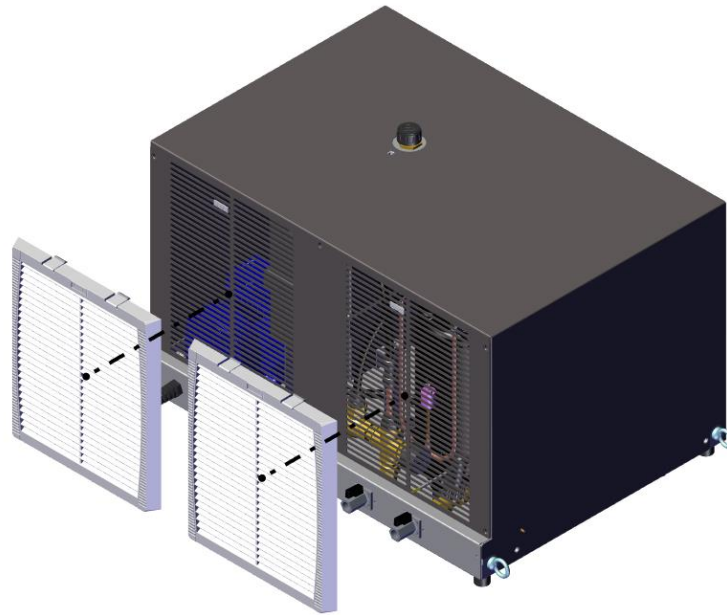


Abbildung 17 - Luftfilterwechsel

Für den Zugang zur rechten Seite des Kondensators die Abdeckung der Kühlanlage öffnen und die Halterung an der Seite des Kondensators entfernen, ihn dann im Zwischenraum zwischen dem Kondensator und dem Ventilator reinigen. Zur Reinigung der Oberfläche des Kondensators ausschließlich Druckluft (kein Wasser oder Lösemittel) verwenden.

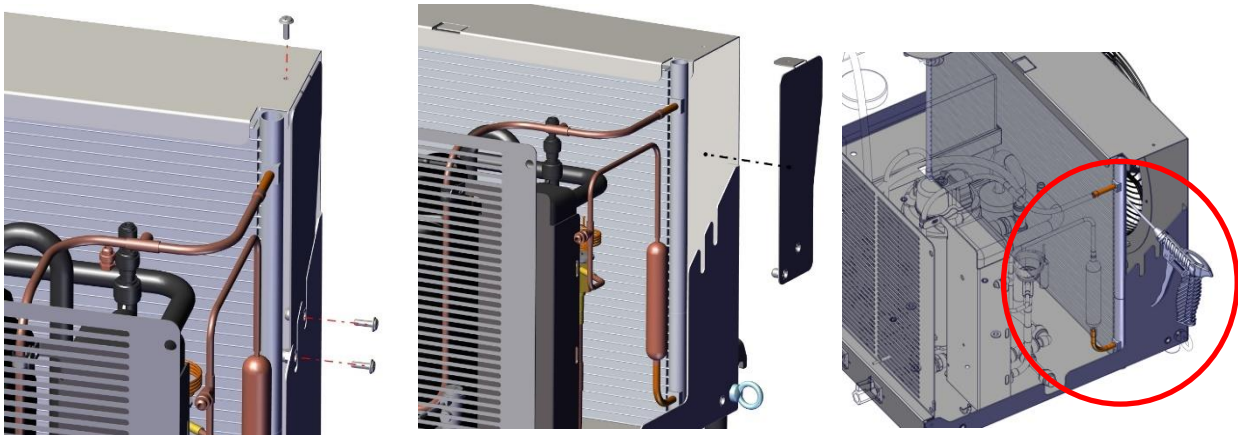


Abbildung 18 - Kondensatorreinigung

- Der Kondensator muss monatlich oder -wenn notwendig- auch häufiger gereinigt werden.
- Wenn der Rückkühler mit einem Filter an der Hydraulikseite ausgestattet ist, muss dieser einmal im Monat oder -wenn notwendig- auch häufiger kontrolliert/gereinigt werden.
- Damit jede Einheit unter den besten Bedingungen funktioniert, wird empfohlen, 20% der Wasser/Glykol-Mischung einmal im Jahr (alle 2 Jahre im Falle einer Mischung mit 30%-50% Glykol) zu ersetzen.
- Nach einem längeren Stillstand des Rückkühlers muss der Tank und der gesamte Hydraulikkreislauf entleert werden. Zum Entleeren des Kreislaufs das Kugelventil (oder die Kappe) am Ende des Ablassschlauchs öffnen. Ein Rohr an den Schlauchanschluss am Auslass des Verdampfers anschließen und das Kugelventil zum Entleeren des gesamten Hydraulikkreislaufs öffnen.

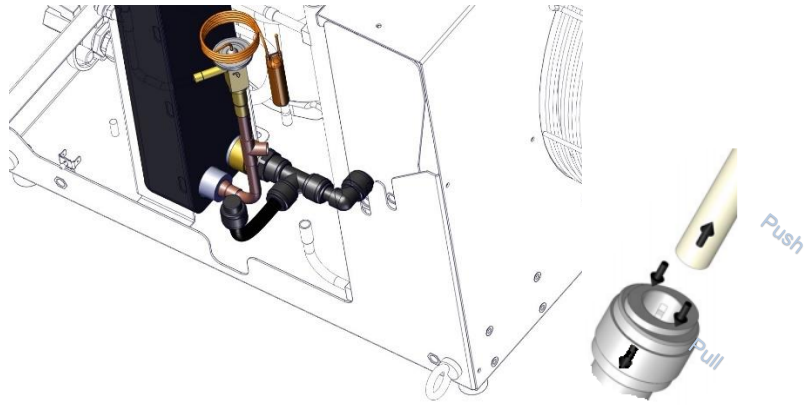



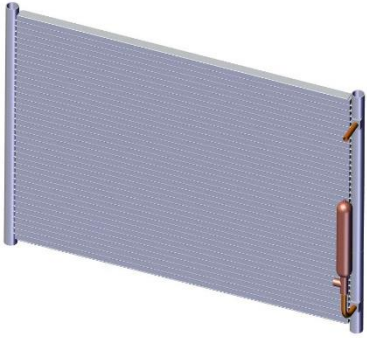
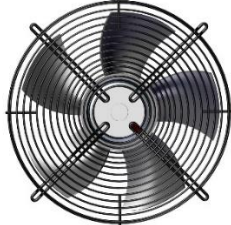
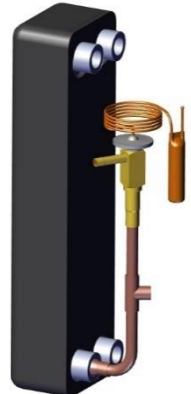

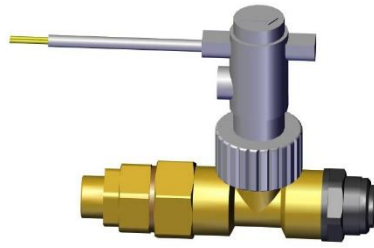


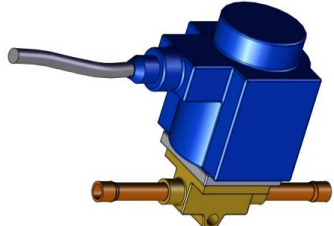
Abbildung 19

- Im Fall einer neuen Installation wird empfohlen, den Hydraulikkreislauf zu entleeren. Zum Heben der Einheit Bezug auf Kapitel 5 und für die Anschlüsse/Verbindungen und die Inbetriebsetzung Bezug auf Kapitel 7 und 11 nehmen.
- Vor der Ausführung von Kundendienst- und Wartungseingriffen, für die der Kühlkreislauf unterbrochen werden muss, ist die unten abgebildete Tabelle mit der Beschreibung der Komponenten aufmerksam zu lesen.
- Da im Kühlkreislauf keine Vorrichtung mit Innenvolumen über 25 Liter installiert ist, ist keine weitere Kontrolle durch die zuständige Behörde im Sinne des Ministerialerlasses Nr. 309 vom 1. Dezember 2004 erforderlich.

Der Kunde ist verpflichtet, die Konformität mit allen Vorgaben der örtlichen Gesetze zu prüfen.

ANLAGE B2

Elektrische und mechanische Komponenten

<p>Kompressor</p> 	<p>Kondensator</p> 	<p>Fan Lüfter</p> 
<p>Thermostatventil / Verdampfer</p> 	<p>Hochdruckschalter</p> 	<p>?????</p> 
<p>Pumpe</p> 	<p>?????</p> 	<p>????</p> 

Libretto di istruzioni e assistenza



PC2500/3500 WT CE STD

COSTRUTTORE

DASSI S.r.l. – Member of the Pfannenberg Group
Via La Bionda, 13 I-43036 Fidenza (PR)
Tel. +39 0524-516711 Fax +39 0524-516790
E-mail: info@pfannenberg.it

English

Operating and Maintenance Instructions

3

Italiano
(Traduzioni delle istruzioni
originali)

Libretto di istruzioni e assistenza

23

Centri Assistenza Pfannenberg

ITALIA	<p>Pfannenberg Italia s.r.l. Via La Bionda, 13 I – 43036 FIDENZA (Parma) Tel. +39 0 524 / 516-711 – Fax +39 0 524 / 516-792 info@pfannenberg.it - www.pfannenberg.com</p>
GERMANIA	<p>Pfannenberg GmbH Werner-Witt-Straße 1. D -21035 Hamburg Tel. +49 40 / 73412-105 – Fax +49 40/ 73412-101 info@pfannenberg.com - www.pfannenberg.com</p>
U.S.A.	<p>Pfannenberg Inc 68 Ward Road. Lancaster, NY 14086 Tel. +1 716 / 685-6866 – Fax +1 716 / 681-1521 info@pfannbergusa.com - www.pfannenberg.com</p>
CINA	<p>Pfannenberg (Suzhou) Pte Ltd 5-1-D, No.333 Xingpu Road Modern Industrial Park, SiP, Suzhou 215021, Jiangsu Province, P.R.C Tel: +86-512 6287 1078 –Fax: +86-512 6287 1077 info@pfannenberg.cn - www.pfannenberg.cn</p>
ASIA	<p>Pfannenberg Asia Pacific Pte Ltd 61 Tai Seng Avenue # B1-01 UE Print Media Hub Singapore 534167 info@pfannenberg.com - www.pfannenberg.com</p>

Per assistenza rivolgersi al centro Pfannenberg più vicino

Sommario

1.	Garanzia.....	56
2.	Sicurezza.....	56
3.	Rischi residui	58
4.	Ricezione e disimballaggio.....	59
5.	Posizionamento del refrigeratore	59
6.	Collegamenti.....	60
7.	Acqua / fluidi di processo	64
7.1	Qualità dell'acqua.....	65
8.	Temperatura ambiente	66
9.	Messa in funzione del refrigeratore	66
10.	Messa fuori servizio e smaltimento	71
10.1	Messa fuori servizio e stoccaggio	71
10.2	Messa fuori servizio o smaltimento finale	71
	Tabella di localizzazione guasti	72
	ALLEGATO A1	74
	ALLEGATO B1	76
	ALLEGATO B2	80

1. Garanzia

Per le informazioni riguardanti la garanzia si prega di visitare il sito web Pfannenberg alla pagina:
<http://www.pfannenberg.com/it/azienda/condizioni-general/>

2. Sicurezza

L'installatore e il personale addetto all'esercizio del refrigeratore dovranno leggere le presenti istruzioni prima di mettere in funzione la macchina.

Attenersi a tutte le istruzioni di sicurezza riportate nel presente libretto.

Per l'installazione, l'esercizio e gli interventi di manutenzione avvalersi solo di personale qualificato.

Il mancato rispetto delle presenti istruzioni può causare lesioni al personale e annulla la responsabilità del costruttore per i danni che ne conseguono.

Rispettare le leggi nazionali in materia di prevenzione degli infortuni, le disposizioni delle autorità locali per l'energia elettrica e qualsiasi istruzione di sicurezza specifica riguardante i refrigeratori.


La sicurezza dell'unità è garantita solo se utilizzata per l'impiego previsto.

Prima della messa in funzione e durante il funzionamento del refrigeratore rispettare le seguenti indicazioni:

- Acquisire dimestichezza con tutti i dispositivi di comando.
- Assicurarsi che vengano rispettati tutti i limiti d'esercizio specificati sulla targhetta dell'unità.
- Per controllare l'isolamento elettrico utilizzare opportuni dispositivi di protezione. Non eseguire lavori su apparecchiature sotto tensione con indumenti, mani e piedi bagnati.
- Non rovesciare o versare fluidi di raffreddamento nell'ambiente perché potrebbero essere pericolosi per la salute.
- Non modificare in alcun modo i componenti del refrigeratore.
- Prima di effettuare qualsiasi intervento di assistenza sul refrigeratore scollegare l'alimentazione elettrica e scaricare la pressione dai componenti pressurizzati.
- Un tecnico qualificato competente per la messa in funzione deve accertare che il refrigeratore sia stato collegato alla rete elettrica in conformità alla norma EN 60204 e a ogni altra normativa nazionale applicabile.

Per motivi di salute e sicurezza, segue un elenco di rischi potenziali cui l'operatore è esposto durante la messa in funzione e/o il funzionamento e/o lo smantellamento dell'unità:

Rischio	Misura di sicurezza raccomandata	Rischio residuo di cui tenere conto	Etichetta
<i>Spigoli vivi</i> (per esempio: alette dello scambiatore di calore e spigoli delle piastre metalliche interne)	Si raccomanda l'utilizzo di dispositivi di protezione (per esempio: guanti e indumenti protettivi)	-	
<i>Superfici calde</i> (per esempio: corpo del motore elettrico della pompa o del compressore e tubi di raffreddamento in rame)	Si raccomanda l'utilizzo di dispositivi di protezione (per esempio: guanti e indumenti protettivi)	-	
<i>Refrigerante in pressione all'interno del circuito frigorifero</i> (PS del refrigeratore indicata in etichetta macchina)	Verificare sempre che il pressostato di alta pressione funzioni. Non aprire mai il circuito di raffreddamento per interventi di manutenzione prima di aver scaricato la pressione*	Considerata la tossicità del refrigerante e la presenza di olio all'interno del circuito, si raccomanda di indossare guanti e maschera adeguati durante gli interventi di manutenzione su apparecchiature di refrigerazione.	
<i>Miscela acqua/glicole di raffreddamento in pressione all'interno del circuito idraulico</i> (pressione massima indicata in etichetta macchina)	Prima di sezionare l'apparecchiatura idraulica ed effettuare interventi di assistenza, verificare sempre che la pressione della miscela acqua/glicole di raffreddamento sia stata completamente scaricata utilizzando il sistema di spurgo e la valvola a sfera di ricarica	Considerata la tossicità del glicole e la presenza di olio all'interno del circuito, si raccomanda di indossare guanti e maschera adeguati durante gli interventi di manutenzione sull'apparecchiatura idraulica.	

<i>Folgorazione</i>	Scollegare sempre l'alimentazione elettrica e durante gli interventi di assistenza collocare un cartello con la dicitura ' MANUTENZIONE IN CORSO ' in posizione visibile accanto all'interruttore generale	-	
<i>Ventilatori rotanti</i>	Scollegare sempre l'alimentazione elettrica e assicurarsi che tutte le apparecchiature meccaniche siano ferme prima di procedere con gli interventi di assistenza	-	
<i>Tossicità del liquido refrigerante e di raffreddamento</i>	Si raccomanda l'utilizzo di dispositivi di protezione adeguati (per esempio: guanti, occhiali e indumenti protettivi)	-	

***NOTA BENE:** per motivi di carattere ambientale non scaricare mai il refrigerante direttamente nell'atmosfera (attenersi alle disposizioni locali relative al corretto smaltimento del refrigerante).

Studiare a fondo l'intera documentazione tecnica fornita con l'unità (per esempio: manuale del regolatore, schemi meccanici ed elettrici) per evitare un utilizzo improprio dell'impianto.

È **obbligatorio** attenersi al **Regolamento (EU) n. 517/2014** del Parlamento Europeo e del Consiglio del 16 aprile 2014 su taluni gas fluorurati ad effetto serra.

Tale Regolamento sancisce misure e limitazioni specifiche da tenere in considerazione per la messa in funzione, l'utilizzo, la manutenzione e lo smaltimento di apparecchiature contenenti gas a effetto serra (per esempio, gli HFC), come specificato nell'Allegato I.

Il **Regolamento (EU) n. 517/2014** specifica anche (ma non solo) la frequenza con cui eseguire controlli obbligatori per individuare eventuali perdite da parte di personale certificato così come i registri obbligatori in cui devono essere riportate le quantità esatte di gas fluorurati installate, quelle eventualmente aggiunte e/o recuperate come descritto nell'Articolo 3 (riportato sotto):

Articolo 3 → **Contenimento**

Gli operatori delle seguenti applicazioni fisse: refrigerazione, condizionamento d'aria, pompe di calore mobili compresi i circuiti, nonché i sistemi di protezione antincendio, che contengono gas fluorurati ad effetto serra elencati nell'allegato I, adottano tutte le misure fattibili sul piano tecnico che non comportano costi sproporzionati per:

- (a) prevenire perdite di tali gas; e
- (b) riparare non appena possibile le perdite rilevate.

Gli operatori delle applicazioni di cui al paragrafo 1 provvedono affinché esse siano controllate, per individuare perdite, da personale certificato che soddisfi i requisiti di cui all'articolo 5, con la frequenza indicata di seguito:

- (a) le applicazioni contenenti **5 tonnellate equivalenti di CO₂ o più** di gas fluorurati ad effetto serra sono controllate per individuare perdite almeno **una volta all'anno**; questa disposizione non si applica alle apparecchiature con impianti ermeticamente sigillati, etichettati come tali e contenenti meno di 6 chilogrammi di gas fluorurati ad effetto serra;
- (b) le applicazioni contenenti **50 tonnellate equivalenti di CO₂ o più** di gas fluorurati ad effetto serra sono controllate per individuare perdite almeno una volta **ogni sei mesi**;
- (c) le applicazioni contenenti **500 tonnellate equivalenti di CO₂ o più** di gas fluorurati ad effetto serra sono controllate per individuare perdite una volta **ogni tre mesi**;

Le applicazioni sono controllate per individuare perdite **entro un mese dalla riparazione della perdita** per accertare che la riparazione sia stata efficace.

Ai fini del presente paragrafo per "controllate per individuare perdite" si intende che le apparecchiature o gli impianti sono esaminati per individuare perdite attraverso metodi di misurazione diretta o indiretta, incentrati sulle parti dell'apparecchiatura o dell'impianto in cui è più probabile che si verifichino delle perdite. I metodi di misurazione diretta o indiretta per controllare la presenza di eventuali perdite devono essere specificati nei requisiti di ispezione standard di cui al paragrafo 7.

Ove esista un sistema idoneo di rilevamento delle perdite correttamente funzionante, la frequenza dei controlli di cui al paragrafo 2, lettere b) e c), può essere dimezzata.

Nel caso dei sistemi di protezione antincendio, se viene già applicato un regime di ispezioni al fine di ottemperare alla norma ISO 14520, queste ispezioni possono anche soddisfare i requisiti del presente regolamento, purché siano almeno altrettanto frequenti.

Gli operatori delle applicazioni di cui al paragrafo 1 contenenti **5 tonnellate equivalenti di CO₂ o più** di gas fluorurati ad effetto serra **tengono un registro** in cui riportano la quantità e il tipo di gas fluorurati ad effetto serra installati, le quantità eventualmente aggiunte e quelle recuperate durante le operazioni di manutenzione, di riparazione e di smaltimento definitivo. Mantengono inoltre un registro di altre informazioni pertinenti, inclusa l'identificazione della società o del tecnico

che ha eseguito la manutenzione o la riparazione, nonché le date e i risultati dei controlli effettuati ai sensi dei paragrafi 2, 3 e 4 e le informazioni pertinenti che permettono di individuare nello specifico le apparecchiature fisse separate delle applicazioni di cui al paragrafo 2, lettere b) e c). Su richiesta, detti registri sono messi a disposizione dell'autorità competente e della Commissione.

Il **Regolamento (EU) n. 517/2014** si compone inoltre dei seguenti articoli: “**Campo di applicazione**” – Articolo 1; “**Definizioni**” – Articolo 2; “**Recupero**” – Articolo 4; “**Formazione e certificazione**” – Articolo 5; “**Relazione**” – Articolo 6; “**Etichettatura**” – Articolo 7; “**Controllo dell'uso**” – Articolo 8; “**Immissione in commercio**” – Articolo 9; “**Riesame**” – Articolo 10; Articolo 11; “**Comitato**” – Articolo 12; “**Sanzioni**” – Articolo 13; Articolo 14; “**Entrata in vigore**”.



ATTENZIONE! Ai sensi del regolamento in materia di F-GAS (Regolamento (EU) n.517/2014), ogni anno l'operatore (il proprietario dell'apparecchiatura) è responsabile di garantire che venga effettuato un controllo delle perdite di gas, che vengano registrate le variazioni della quantità di gas presente all'interno dell'impianto e che venga effettuata la comunicazione all'autorità competente dello stato membro dell'Unione Europea all'interno del quale l'impianto viene utilizzato.

Per assicurarsi che la performance del chiller non venga alterata, è raccomandato l'utilizzo di sole parti di ricambio originali acquistate da Pfannenberg. In questo modo verrà assicurata l'affidabilità e la qualità della macchina. In caso di necessità di informazioni aggiuntive riguardo ai pezzi di ricambio, per favore contattare il Servizio Assistenza Pfannenberg.

Per qualsiasi informazione riguardo la manutenzione e la verifica delle perdite (in accordo al Regolamento (EU) n.517/2014) consultare il Servizio Assistenza Pfannenberg.

Per assicurare la corretta e affidabile funzionalità del refrigeratore, raccomandiamo di fare eseguire l'avviamento dell'impianto dal nostro Servizio Assistenza Pfannenberg.

3. Rischi residui

Una volta ultimata l'installazione dell'impianto è necessario tenere in considerazione alcuni rischi residui:

Rischi residui ai sensi della Direttiva 2006/42/CE:

- La superficie esterna del condensatore presenta delle alette, sussiste pertanto la possibilità che l'operatore tocchi degli spigoli vivi durante gli interventi sull'impianto.
- Sebbene l'impianto sia stato progettato adottando tutti i requisiti di sicurezza possibili, in caso di incendio esterno vi è la possibilità che la pressione e la temperatura interne dell'impianto aumentino in modo pericoloso e incontrollabile. Utilizzare mezzi estinguenti adatti alle circostanze.
- Nelle unità senza sezionatore di emergenza, l'installazione di tale dispositivo è demandata all'utilizzatore e deve essere prevista in prossimità del refrigeratore in luogo facilmente accessibile e ben visibile, in modo da consentire l'arresto di emergenza garantendo la sicurezza dell'operatore
- Sebbene le istruzioni contenute in questo manuale di uso e manutenzione siano ritenute sufficientemente esplicative ai fini della sicurezza, sono stati comunque previsti pressostati di massima che intervengono nel caso in cui ci sia un riempimento non corretto o nel caso in cui ci sia un malfunzionamento dell'impianto dovuto ad un aumento non controllato della pressione o della temperatura.

Rischi residui ai sensi della Direttiva 2014/68/UE:

- Sebbene l'impianto sia stato progettato adottando tutti i requisiti di sicurezza possibili, in caso di incendio esterno vi è la possibilità che la pressione e la temperatura interne dell'impianto aumentino in modo pericoloso e incontrollabile. Utilizzare mezzi estinguenti adatti alle circostanze.
- Per la produzione di serie delle unità standard di categoria I, il test di resistenza alla pressione (solitamente il test di pressione idrostatica) è effettuato su un campione statistico, non su tutte le unità. Questa metodologia è accettabile in considerazione di tutti i dispositivi di sicurezza di cui le unità sono dotate.
- Nelle unità senza sezionatore di emergenza, l'installazione di tale dispositivo è demandata all'utilizzatore e deve essere prevista in prossimità del refrigeratore in luogo facilmente accessibile e ben visibile, in modo da consentire l'arresto di emergenza garantendo la sicurezza dell'operatore.
- Sebbene le istruzioni contenute in questo manuale di uso e manutenzione siano ritenute sufficientemente esplicative ai fini della sicurezza, sono stati comunque previsti pressostati di massima/valvole di sicurezza che intervengono nel caso in cui ci sia un riempimento non corretto o nel caso in cui ci sia un malfunzionamento dell'impianto dovuto ad un aumento non controllato della pressione o della temperatura.

4. Ricezione e disimballaggio

Il refrigeratore è fornito su un pallet di legno, avvolto in una pellicola protettiva, reggiato e protetto lateralmente.

Ogni unità è anche imballata in una scatola di cartone.

Si raccomanda di prestare particolare attenzione quando si movimenta e trasporta l'unità e di mantenere le unità imballate in posizione verticale per evitare eventuali danni al telaio esterno e ai componenti interni.

Fissare le unità al mezzo di trasporto con cinghie idonee.

Nota bene: Gli imballaggi di cui sopra sono adeguati per impilare le unità una sopra l'altra (max 2 unità).

Stoccare il refrigeratore in un luogo asciutto, lontano da fonti di calore. Riciclare tutti i materiali di scarto in modo adeguato. Per le operazioni di sollevamento e movimentazione utilizzare un carrello elevatore con capacità di carico adeguata e con forche di lunghezza superiore rispetto alla base del refrigeratore. Evitare movimenti improvvisi che possano danneggiare il telaio o i componenti interni. I refrigeratori PFANNENBERG standard (di peso superiore ai 45 Kg) possono essere dotati di 4 bulloni a occhio per il sollevamento e il trasporto, da utilizzare solo per le operazioni di carico/scarico verticale (per vedere il punto corretto per il sollevamento fare riferimento agli adesivi presenti sull'unità). Per i refrigeratori che non li prevedono di serie, i golfari possono essere forniti come accessorio.

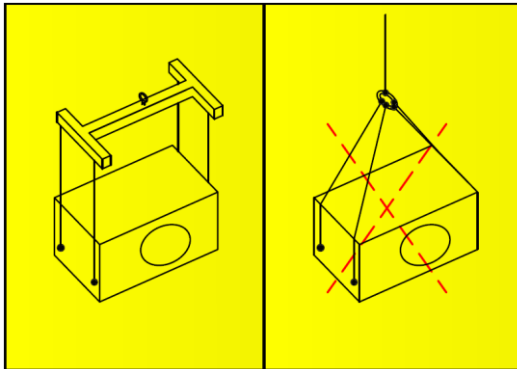


Figura 1- Sollevamento del refrigeratore

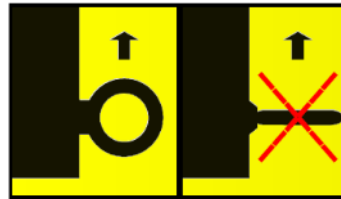


Figura 2 – corretta posizione dei golfari

Dopo aver collocato il refrigeratore nella posizione finale, verificare i collegamenti interni per evitare danni durante l'esercizio.

5. Posizionamento del refrigeratore

Posizionare il refrigeratore in una zona ben ventilata, lontano da fonti di calore e dall'esposizione diretta alla luce del sole, possibilmente in prossimità dell'impianto dell'utente per evitare perdite di carico lungo i tubi di collegamento idraulico. Per livellare l'unità di raffreddamento utilizzare i piedini regolabili laddove installati.

Uso non previsto: il refrigeratore non può essere installato su parti inclinate.

- il refrigeratore può essere installato su parti mobili con velocità max 85 m/min e accelerazione non superiore a 3 m/s²
- per ambienti polverosi è suggerito l'utilizzo del filtro aria (accessorio item. 45700957344).

Il cliente dovrà predisporre uno spazio adeguato come illustrato nella seguente figura:

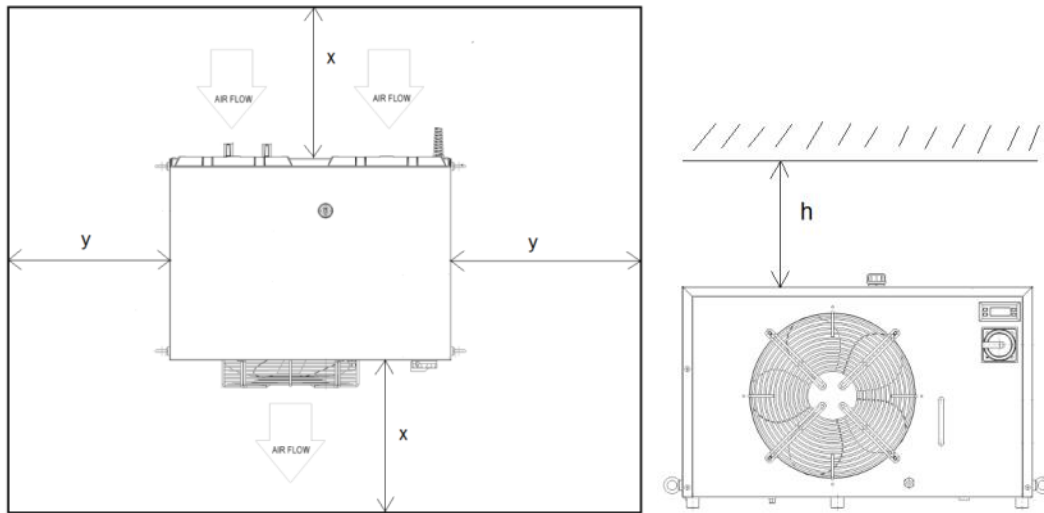


Figura 3 – Requisiti minimi di spazio, $x=0,15$ m; $y=h= 0,5$ m

In conformità alla norma CEI EN 60204-1, per i refrigeratori in cui l'interruttore generale lucchettabile è posizionato ad un'altezza minore di 0,6m dalla base dell'unità, si raccomanda di installare il refrigeratore in modo da mantenere tale distanza minima.



ATTENZIONE! È assolutamente vietato installare le unità standard all'esterno, anche se protette da un tetto.

Per l'installazione esterna utilizzare solo le unità appositamente progettate.

Per agevolare il regolare svolgimento degli interventi di manutenzione o regolazione, posizionare il refrigeratore a un'altezza compresa tra 0,3 m e 1,0 m al di sopra dell'altezza a cui si trovano i dispositivi per la manutenzione.

I refrigeratori PFANNENBERG devono essere posizionati su una lastra di cemento che deve sporgere di almeno 30 cm oltre il perimetro del refrigeratore per evitare danni causati, per esempio, dalle attrezzature per la manutenzione del prato, ecc.. Il refrigeratore, che deve essere in piano e adeguatamente fissato, è dotato di 4 ammortizzatori delle vibrazioni sul fondo dell'unità che consentono il sostegno e il fissaggio del refrigeratore nonché l'ammortizzazione delle vibrazioni, riducendo la rumorosità durante il funzionamento.

6. Collegamenti



AVVERTENZA! Durante l'installazione realizzare per primi i collegamenti idraulici e, in seguito, quelli elettrici.



AVVERTENZA! I refrigeratori sono stata puliti per mezzo di prodotti di pulizia specifici. Gli eventuali residui di particelle solide nel sistema idraulico potrebbe causare la perdita della garanzia.

Collegamenti idraulici. Per il collegamento idraulico fare riferimento allo **schema idraulico allegato**. Nella realizzazione dei collegamenti bisognerà tenere in considerazione la portata e la direzione di circolazione del fluido come indicato dalle etichette INLET-OUTLET.



ATTENZIONE! Prima di collegare i tubi idraulici riempire il serbatoio (come descritto nella procedura di messa in funzione). Rimuovere i tappi all'interno delle connessioni idrauliche prima di connettere il refrigeratore al vostro dispositivo e aprire le valvole a sfera.

Piastra per i collegamenti idraulici



Figura 4 – Piastra per i collegamenti idraulici

Connessione per lo svuotamento del circuito idraulico

Per la procedura di svuotamento fare riferimento all'Appendice B1.

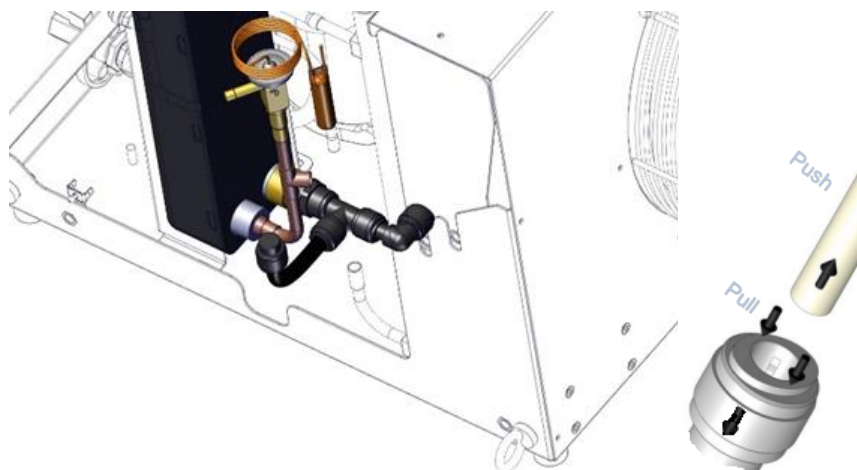


Figura 5 – Connessione idraulica di svuotamento



ATTENZIONE! In caso di unità dotata di serbatoio, riempire quest'ultimo prima di collegare i tubi idraulici.

Collegamento elettrico

I collegamenti elettrici dell'unità devono essere realizzati a cura del cliente

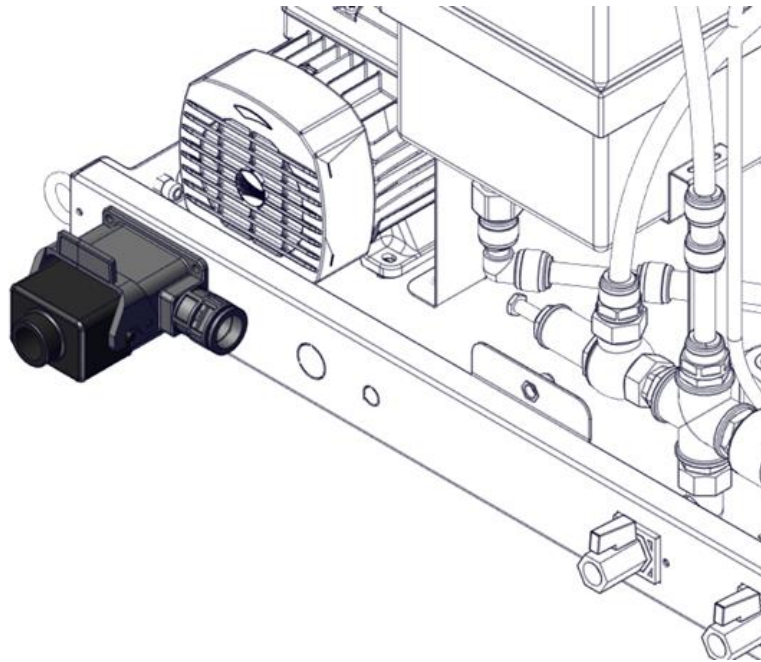


Figura 6a- Connessione Harting frontale

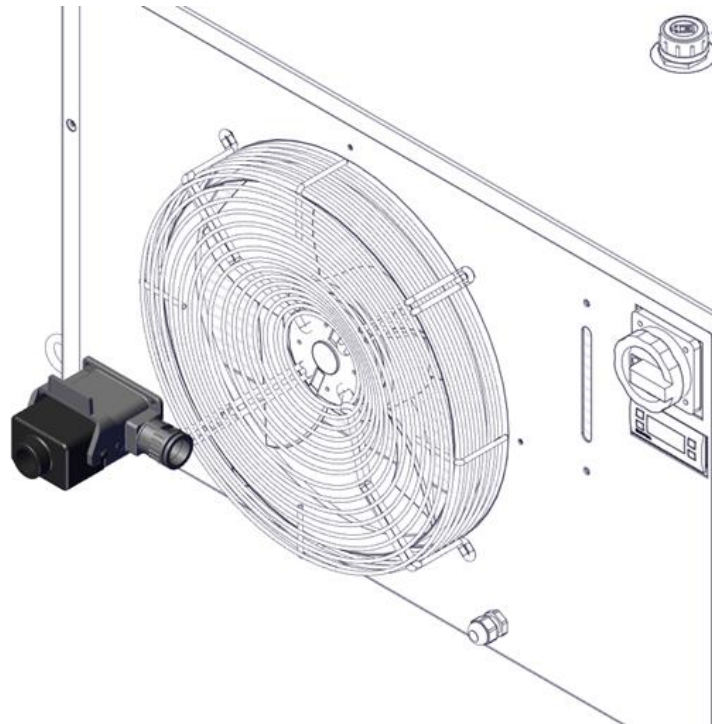


Figura 6b- Connessione Harting posteriore

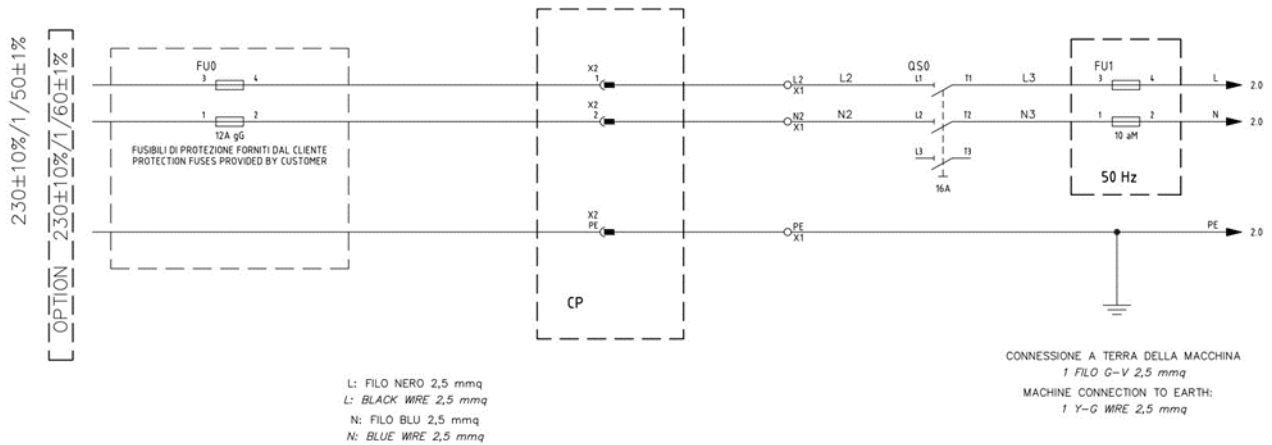


Figura 7a- Connessione elettrica tramite cavo

Nota bene:

- Laddove i frigoriferi non sono forniti di cavi di alimentazione e allarmi (o dei connettori industriali), cablare in morsettiera, all'interno del quadro elettrico, in accordo allo schema elettrico allegato al refrigeratore.
- L'installazione elettrica deve rispettare tutte le norme di sicurezza in vigore.
- È necessario installare dei fusibili di protezione (indicati nello schema elettrico) o un interruttore magnetotermico a monte del cavo di alimentazione elettrica.
- Assicurarsi che l'impianto sia adeguatamente collegato a terra.
- Controllare che il voltaggio e la frequenza dell'alimentazione elettrica corrispondano alle specifiche riportate sulla targhetta identificativa dell'unità e/o sullo **schema elettrico allegato**.
- I frigoriferi Pfannenbergl sono progettati per sistemi di messa a terra del tipo TN. Ai fini del dimensionamento in loco utilizzare il valore massimo di impedenza dell'anello di guasto del refrigeratore (vedere il valore Z_{pe} specificato nello schema elettrico allegato).
- Per unità con sezionatore di comando nero, il sezionatore/interruttore di emergenza (in accordo con la IEC 60947-1, IEC 60947-2, IEC 60947-3) deve essere installato dal cliente in prossimità della macchina.

Limiti di voltaggio:

In conformità alla norma CEI EN 60204-1 il funzionamento dei refrigeratori Pfannenberg standard è garantito entro i seguenti limiti:

- Tensione nominale $\pm 10\%$ [V]
- Frequenza nominale $\pm 1\%$ [Hz]

Fare riferimento alla targhetta identificativa per verificare le condizioni operative nominali per l'unità.

Condizioni nominali	V min [V]	V max [V]	f min [Hz]	f max [Hz]
230 V / 1 ~ / 50 Hz	207	253	49.5	50.5
230 V / 1 ~ / 60 Hz	207	253	59.4	60.6

Per le macchine con tensioni speciali fare riferimento all'etichetta macchina.

7. Acqua / fluidi di processo

I refrigeratori PFANNENBERG devono essere riempiti fino al livello adeguato con **glicole inibito** specifico per impianti di refrigerazione industriali. **Non utilizzare antigelo per automobili.** Gli inibitori impiegati nell'antigelo per automobili possono decomporsi rapidamente e accelerare il decadimento della base refrigerante (glicole), oltre che favorire la corrosione dell'impianto. I silicati utilizzati nell'antigelo per automobili creano una patina sugli scambiatori di calore, con conseguente riduzione del trasferimento di calore. Inoltre, possono gelificarsi, sporcando e intasando l'impianto.

Il rapporto glicole inibito / acqua dovrebbe essere tale da impedire il congelamento alla temperatura ambiente più bassa. Controllare il livello con tutte le linee piene. **La miscela di glicole deve essere sottoposta a controllo periodico (3 – 6 mesi) per verificare che la concentrazione sia corretta con ausilio di un rifrattometro.**

Per riempire l'impianto utilizzare sempre una soluzione pre-miscelata alla concentrazione corretta per mantenere la protezione antigelo e anticorrosione. **Si raccomanda** l'uso di acqua demineralizzata, poiché l'acqua di rete contiene spesso grandi quantità di cloro che può reagire negativamente con il glicole.



NOTA BENE: Se l'utenza è posizionata ad almeno 500mm sopra il livello delle connessioni idrauliche il fluido nelle tubazioni potrebbe refluire e causare un traboccamento del serbatoio del refrigeratore se quest'ultimo è spento. Per evitare che ciò si verifichi è possibile installare una valvola di non ritorno sulla linea di alimentazione e un'elettrovalvola sulla linea di ritorno.

Protezione contro la corrosione:

PFANNENBERG raccomanda l'impiego di glicole Pfannenberg Protect anche come inibitore della corrosione.

La percentuale di glicole nella miscela varia in funzione della temperatura minima d'esercizio della miscela stessa (che deve essere in linea con il valore d'esercizio minimo impostato per l'unità; fare riferimento alla scheda tecnica dell'unità):

Glicole propilenico	Diluizione %	Intervallo di temperatura d'esercizio		Punto di congelamento
		Min [°C]	Max [°C]	
PP20P	20	+13	+101	-8
PP30P	30	0	+103	-14
PP50P	54	-25	+104	-38

Glicole etilenico	Diluizione %	Intervallo di temperatura d'esercizio		Punto di congelamento
		Min [°C]	Max [°C]	
PP20E	20	+13	+102	-8
PP30E	30	0	+103	-15

PP50E	50	-25	+108	-38
-------	----	-----	------	-----



ATTENZIONE! La concentrazione di glicole è inversamente proporzionale alla quantità di emissione di calore che si riuscirà a ottenere dal fluido.



ATTENZIONE! I glicoli a base etilenica (Pfannenberg Protect PP...E) e a base propilenica (Pfannenberg Protect PP .P) differiscono in generale per la viscosità e la tossicità. Il glicole etilenico è meno viscoso di quello a base propilenica, pertanto in generale fornisce una maggiore efficienza nel trasferimento del calore, ed ha inoltre migliori prestazioni a basse temperature.

Nelle applicazioni dove è necessario garantire un processo atossico sono utilizzati fluidi a base di glicole propilenico, a causa della loro bassa tossicità se ingeriti; esempi di utilizzo possono essere applicazioni in cui il fluido può entrare in contatto accidentalmente con bevande o processi alimentari per la lavorazione di cibo o bevande; esistono anche applicazioni in cui l'utilizzo di glicole propilenico è obbligatorio per legge.

7.1 Qualità dell'acqua

Per mantenere il circuito idraulico pulito e in perfetto funzionamento è necessario controllare la qualità dell'acqua ed eventualmente prevederne un trattamento. Il circuito standard di un refrigeratore ad acqua è un sistema semiaperto, vale a dire che durante l'esercizio parte dell'acqua evapora. Di conseguenza la concentrazione di cloro tende ad aumentare e l'acqua di sistema può quindi provocare la corrosione dei componenti dell'impianto.

Quando si utilizza l'acqua per diluire la miscela tenere presente quanto segue:

- Si raccomanda di utilizzare acqua demineralizzata/deionizzata (DM/DI). Non utilizzare acqua distillata.
- Evitare la contaminazione fisica dell'acqua. In presenza di rischio di contaminazione fisica, utilizzare filtri per l'acqua.
- L'acqua non dovrebbe presentare una durezza troppo elevata. (vedere sotto)
- Prestare attenzione alla contaminazione chimica. Se tale contaminazione dovesse rappresentare un problema, trattare l'acqua con passivatori e/o inibitori.
- Prevenire la contaminazione biologica, da parte di mixobatteri e di alghe. Se ciò dovesse verificarsi, trattare l'acqua con biocidi.

PFANNENBERG raccomanda di verificare le caratteristiche dell'acqua per determinarne la qualità.

Acqua di qualità A (non è necessario alcun trattamento):

Acqua potabile di rete, esente da contaminazioni
 Ph:7-9
 Durezza:<5°dH
 Conducibilità:<50µS/cm
 Cloro:<20 mg/l

Acqua di qualità B (si consiglia di provvedere al trattamento):

Acqua potabile di rete, esente da contaminazioni
 Ph:7-8,5
 Durezza:<10°dH
 Conducibilità:<300µS/cm
 Cloro:<50 mg/l

Acqua di qualità C (trattamento obbligatorio):

Acqua potabile di rete, esente da contaminazioni
 Ph:7-8,5
 Durezza:<20°dH
 Conducibilità:<500µS/cm
 Cloro:<100 mg/l

8. Temperatura ambiente

In caso di temperatura ambiente superiore a +50 °C oppure inferiore a +15 °C, contattare PFANNENBERG. Temperature ambiente elevate influiscono negativamente sulla capacità del refrigeratore. In caso di temperature ambiente basse sono necessari controlli speciali. Qualora le temperature scendano al di sotto di 0 °C trovano applicazione condizioni specifiche. Potrebbero essere necessari riscaldatori del fluido per impedirne il congelamento e per mantenere il fluido presente nel serbatoio del refrigeratore a una temperatura costante, così da ridurre i ritardi di avviamento dovuti al tempo necessario per portare il fluido alla temperatura d'esercizio.

9. Messa in funzione del refrigeratore



ATTENZIONE! GLI INTERVENTI SUI CIRCUITI ELETTRICI E DI RAFFREDDAMENTO POSSONO ESSERE ESEGUITI ESCLUSIVAMENTE DA PERSONALE QUALIFICATO.

NOTA BENE: Per evitare di danneggiare i componenti del circuito frigorifero (compressore, tubazioni, ecc...) ed elettrico (controllore, fusibili, ecc...) si raccomanda di non superare il numero massimo di 10 avviamenti ora

NOTA BENE: Si riportano di seguito le istruzioni dettagliate relative alle fasi della messa in funzione. Per una guida rapida alla messa in funzione, vedere l'allegato A1.

1. Posizionare l'interruttore generale nella posizione -0- (off).

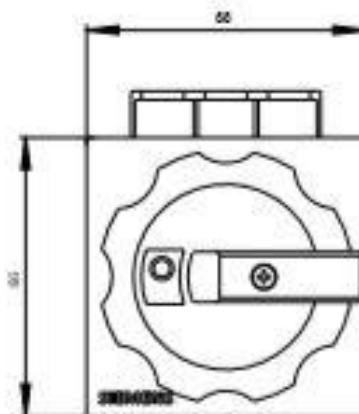


Figura 8 – Sezionatore generale

2. REFRIGERATORE con serbatoio: Rimuovere il tappo del raccordo di riempimento collocato sul lato superiore del refrigeratore (esternamente).



Figura 9 – Raccordo di riempimento

3. Riempire il serbatoio con acqua o miscela acqua-glicole fino al raggiungimento del livello massimo. (Verificare la qualità dell'acqua e stabilire l'eventuale trattamento necessario in conformità alle specifiche dell'applicazione).

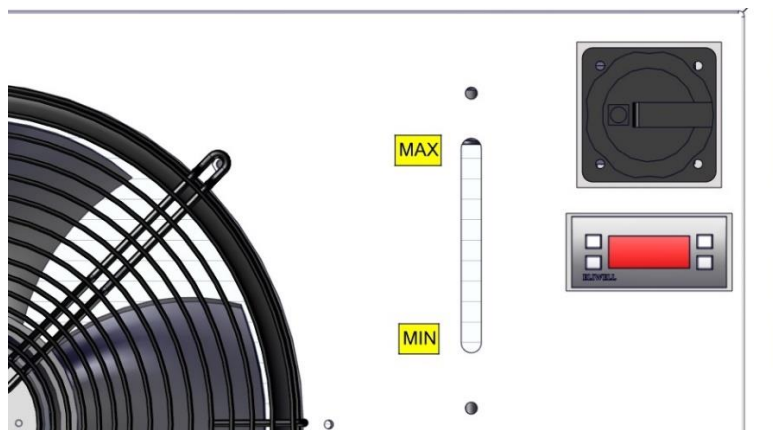


Figura 10 – Procedura di riempimento e livello massimo

4. Collegare i tubi di ingresso e uscita dell'acqua.

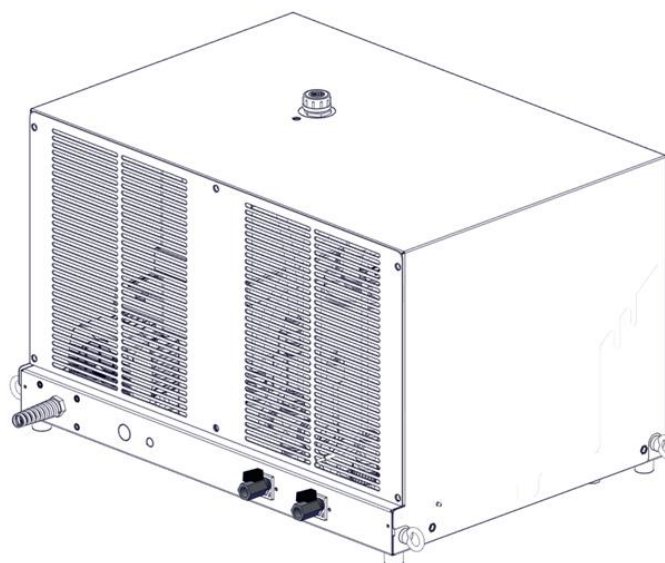


Figura 11 – Collegamento dei tubi

5. Realizzare il collegamento elettrico dell'alimentazione di corrente di rete e del cavo d'allarme con l'attrezzatura del cliente. Laddove i refrigeratori non sono forniti di cavi di alimentazione e allarmi (o dei connettori industriali), cablare in morsetteria, all'interno del quadro elettrico, in accordo allo schema elettrico allegato al refrigeratore.

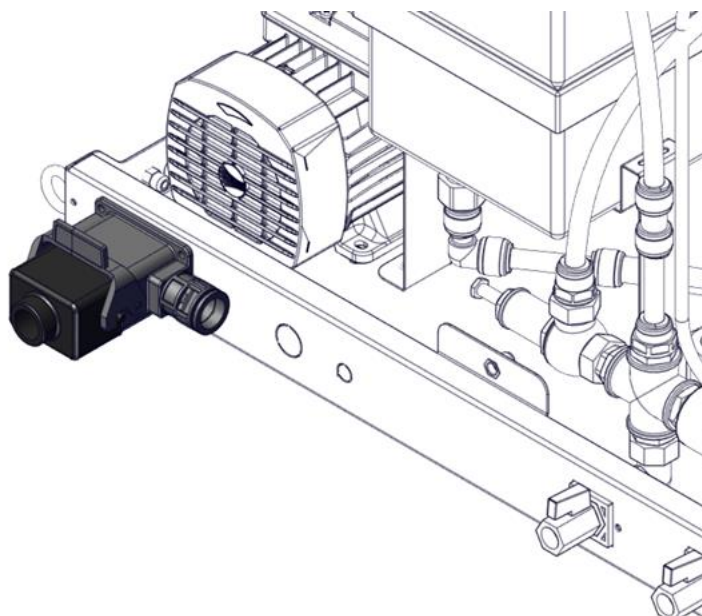


Figura 12a – Collegamenti elettrici

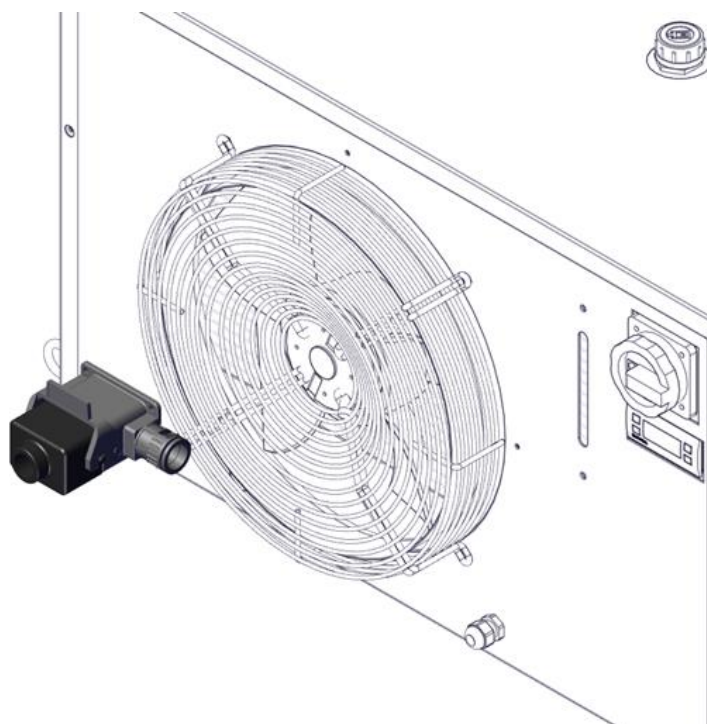


Figura 12b – Collegamenti elettrici

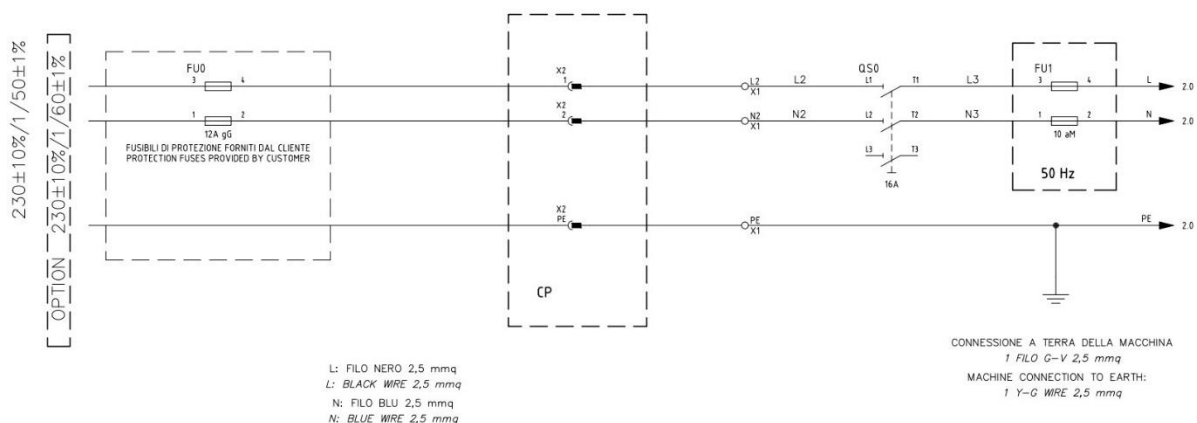


Figura 12c – Collegamenti elettrici tramite cavo

6. Accendere il sezionatore generale sulla posizione "ON"; la pompa partirà in automatico. Verificare che il livello del glicole non scenda mai sotto il minimo visivo. Dopo circa 5 minuti di funzionamento del circuito idraulico, spegnere l'interruttore generale ed effettuare un altro controllo visivo del livello del serbatoio, effettuando un rabbocco se necessario.

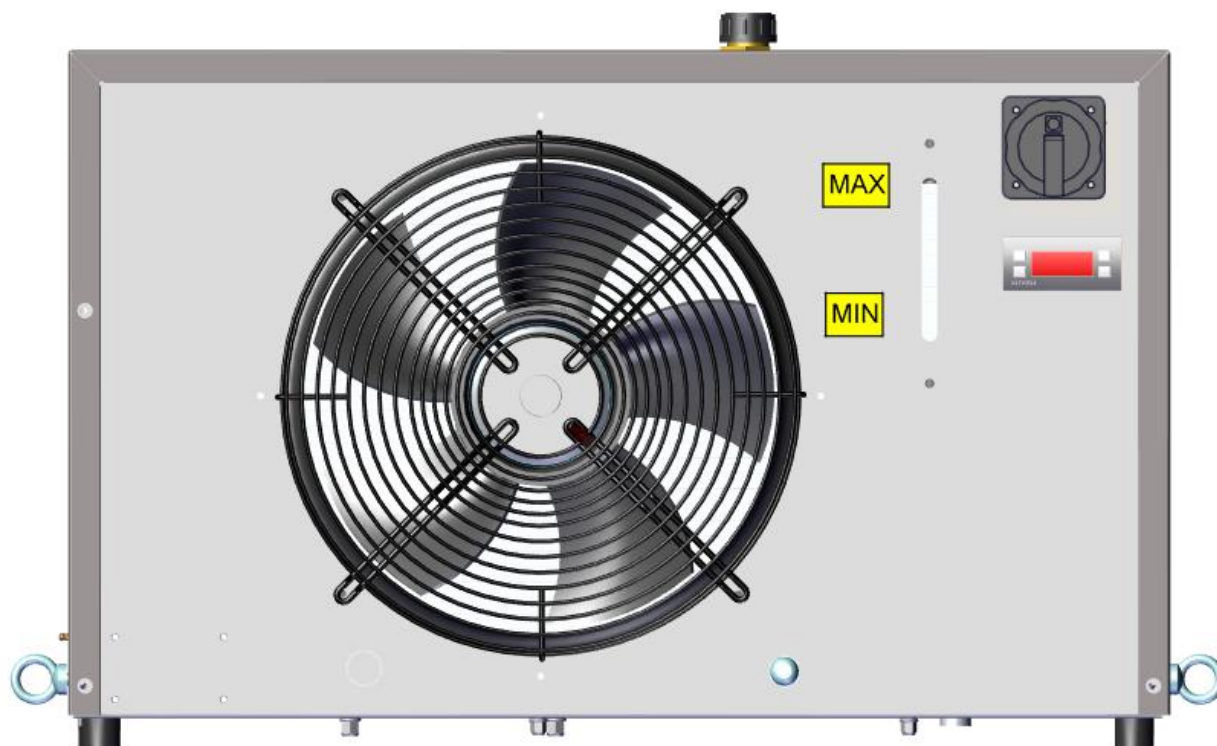


Figura 13 – Rabbocco del serbatoio

A questo punto il refrigeratore è pronto per funzionare automaticamente secondo i "valori impostati" tramite i dispositivi di comando. Se necessario, impostare i comandi in base alle esigenze di temperatura del cliente. (Fare riferimento al manuale del termostato fornito insieme all'unità).

NOTA BENE: L'unità funziona correttamente solo se i pannelli di copertura sono montati sulla stessa. Pertanto, se per qualsiasi ragione durante l'installazione del refrigeratore sono stati rimossi, prima di accendere l'unità sarà necessario riposizionarli.

Una volta terminata l'installazione, per il REFRIGERATORE non è necessario l'intervento di un operatore specializzato. Gli interventi di calibrazione dei termostati, del pressostato o di qualsiasi altro componente del circuito di refrigerazione sono di competenza esclusiva del Servizio Assistenza Pfannenberg.

Per maggiori informazioni relativamente all'installazione del refrigeratore, alla messa in funzione o alla risoluzione dei problemi contattare il Supporto Vendite Pfannenberg.

10. Messa fuori servizio e smaltimento

10.1 Messa fuori servizio e stoccaggio



AVVERTENZA

Pericolo di lesioni a causa di materiali e sostanze

Lavori impropri all'unità o l'apertura del circuito frigorifero possono essere dannosi per la salute.

- Assicurarsi sempre che l'unità sia diseccitata prima di lavorare sull'unità.
- L'unità deve essere smaltita esclusivamente da personale qualificato e in conformità con le normative ambientali applicabili.

Se l'unità non è più necessaria per un periodo lungo, deve essere scollegata dall'alimentazione di tensione.

☒ Garantire che l'avvio improprio da parte di terzi non sia possibile.

10.2 Messa fuori servizio o smaltimento finale



AVVERTENZA

Pericolo di incidenti a causa del peso elevato delle unità

Movimenti incontrollati dell'unità durante la disattivazione possono causare incidenti.

- Per motivi di produzione, i bordi metallici dell'unità potrebbero presentare sbavature.
- Indossare guanti durante i lavori di assistenza e montaggio.



ATTENZIONE

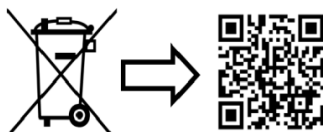
Pericolo di lesioni a causa di spigoli vivi

- Per motivi di produzione, i bordi metallici dell'unità potrebbero presentare sbavature.
- Indossare guanti durante i lavori di assistenza e montaggio.

Se le unità devono essere definitivamente dismesse o eliminate, deve essere osservato quanto segue:

- Devono essere osservate le norme di legge applicabili del paese dell'utente e le norme di protezione ambientale.
- Il refrigerante deve essere estratto in modo professionale e recuperato. Evitare le emissioni di refrigerante in ambiente.
- L'unità deve essere smaltita esclusivamente da personale autorizzato e qualificato.


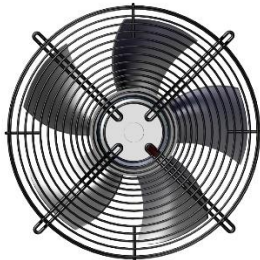
☒ I rifiuti devono essere smaltiti correttamente anche da Pfannenberg. Le spese di spedizione per la consegna ad uno dei nostri stabilimenti di produzione devono essere pagate in anticipo.



www.pfannenberg.com/disposal

Tabella di localizzazione guasti

Le informazioni riportate nel presente capitolo sono destinate al personale addetto all'assistenza e manutenzione. I guasti per i quali è necessario l'intervento di un tecnico frigorista possono essere gestiti solo da personale specializzato. Durante gli interventi sull'unità atterrata, attenersi a tutte le norme in materia di impianti elettrici e alla legislazione vigente nel Paese nel quale l'unità è installata.

Refrigeratore		
Problema	Causa	Possibile azione correttiva
Mancato avviamento dell'unità	Assenza di tensione di alimentazione	Controllare la linea principale di alimentazione elettrica
	Termostato non funzionante	Controllare il collegamento, verificare i fusibili degli ausiliari e, se il problema persiste, sostituire il termostato 
	Il protettore del compressore (KLIXON, dove installato) si è spento	Nota bene: I compressori sono protetti da picchi di temperatura e corrente tramite un dispositivo interno o esterno (Klixon). Tale dispositivo interno o esterno protegge il compressore da: <ul style="list-style-type: none"> surriscaldamento dovuto a un inadeguato raffreddamento del motore del compressore. blocco del compressore dovuto a una temperatura o corrente eccessiva del motore. allentamento dei collegamenti che potrebbe causare sovracorrenti.
È in funzione, ma non raffredda	Quantità di gas insufficiente nell'apparecchiatura	Intervento di assistenza da parte di un frigorista
	Valvola termostatica difettosa	Intervento di assistenza da parte di un frigorista
	Carico termico eccessivo	L'applicazione potrebbe essere errata; da verificare con il nostro personale
	Termostato non funzionante	Verificare e correggere le impostazioni dei parametri
	Portata non corretta nel circuito idraulico	Verificare la regolazione del bypass idraulico dove installato Verificare le perdite di carico del circuito in modo da raggiungere la portata nominale
Il ciclo refrigerante non funziona		
Problema	Causa	Possibile azione correttiva
Attivazione del pressostato di alta pressione	L'unità non è in funzione. Possibili cause:	
	<ul style="list-style-type: none"> Condensatore sporco Il ventilatore è rotto 	Pulire il condensatore in accordo alla procedura descritta nell'Appendice B1. Sostituire il ventilatore 
	<ul style="list-style-type: none"> Temperatura ambiente eccessiva 	Verificare che il refrigeratore sia posizionato in un posto in cui sia garantita un'adeguata ventilazione dell'unità refrigerante. Verificare inoltre che la temperatura ambiente non sia superiore al dato indicato in etichetta macchina.

Nota bene: dopo aver rimosso la causa del guasto, avviare il refrigeratore premendo il pulsante esc (per 3 secondi) posizionato sul termostato (vedere figura)

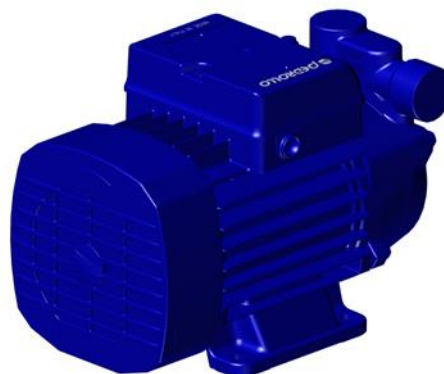


Compressore

Problema	Causa	Possibile azione correttiva
Il compressore resta costantemente in funzione e il refrigeratore non riesce a controllare la temperatura del liquido:		
<ul style="list-style-type: none"> - temperatura del liquido troppo bassa - temperatura del liquido troppo alta 		
Temperatura troppo bassa	Termostato rotto (contatto bloccato)	Sostituire il termostato
Temperatura troppo alta	Termostato rotto	Sostituire il termostato
	Quantità di Freon insufficiente all'interno dell'unità	Richiedere l'intervento di assistenza di un frigorista
	Carico termico eccessivo	L'applicazione potrebbe essere errata; da verificare con il nostro personale

Pompa

Problema	Causa	Possibile azione correttiva
Assenza di portata all'interno del circuito	La pompa non funziona	Sostituire la pompa
	Portata non corretta nel circuito idraulico	<p>Verificare la regolazione del bypass idraulico dove installato</p> <p>Verificare le perdite di carico del circuito in modo da raggiungere la portata nominale</p>



ALLEGATO A1



Commissioning
„Open loop cooling circuit“



Canister



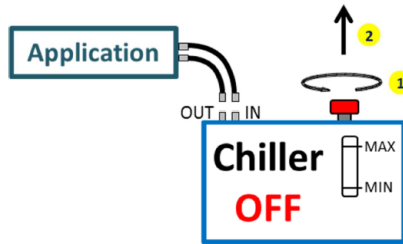
Tools



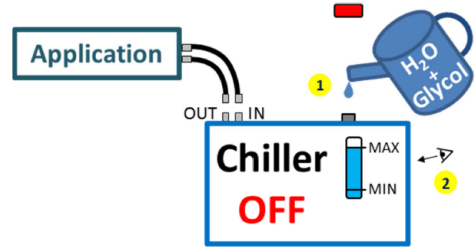
Time



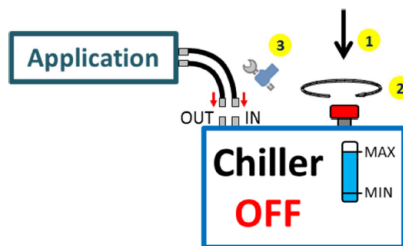
1



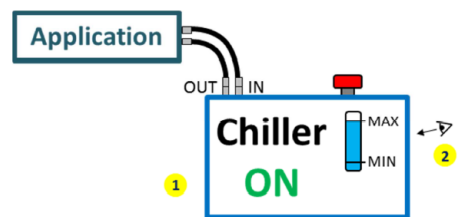
2



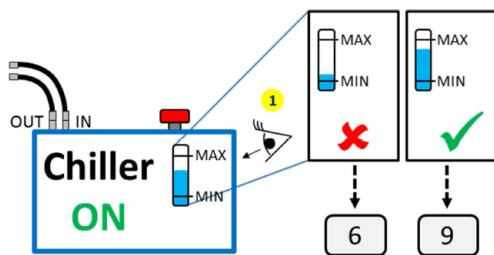
3



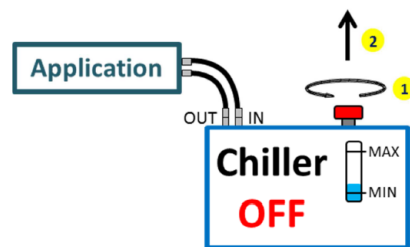
4



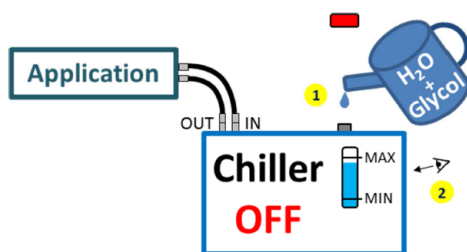
5



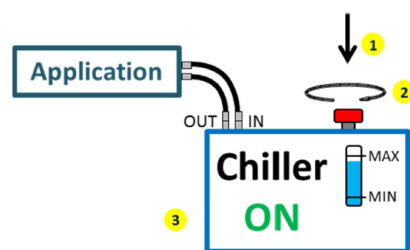
6



7



8



Commissioning „Open loop cooling circuit“	Messa in funzione “Impianto di raffreddamento a circuito aperto”
Canister H ₂ O + Glycol	Tanica H ₂ O + Glicole
Tools	Attrezzi
Time- 30 min.	Tempo – 30 min.
Application	Applicazione
Chiller OFF	Refrigeratore OFF
Out	Out
In	In
Max	Max
Min	Min
H ₂ O + Glycol	H ₂ O + Glicole

ALLEGATO B1

Manutenzione / Controlli e ispezioni



ATTENZIONE! Prima di qualsiasi intervento di manutenzione per il quale non è necessario che la macchina sia in funzione, scollegare l'alimentazione elettrica e posizionare il cartello "MANUTENZIONE IN CORSO" accanto all'interruttore generale lucchettabile in posizione "0" (Off).

L'esecuzione del programma di test e controllo specificato sotto contribuirà a prolungare la vita utile dell'apparecchiatura e a prevenire eventuali guasti.

Nota bene: In relazione al programma e alla frequenza dei controlli obbligatori per rilevare eventuali perdite è di fondamentale importanza attenersi al **Regolamento (UE) n. 517/2014**, come illustrato nel Capitolo 2 del presente Libretto di istruzioni e assistenza.

Per accedere ai componenti internamente alla macchina, svitare le viti laterali sul coperchio, quella sulla parte superiore (vicino al tappo di carico) e quelle del pannello posteriore.



Figure 14 – Viti da rimuovere per accedere all'interno del refrigeratore

- Verificare il funzionamento meccanico del compressore. Durante il funzionamento, per verificare che il compressore funzioni correttamente, controllare che non vi siano vibrazioni meccaniche e rumorosità o temperature eccessive sulla testa del compressore stesso.

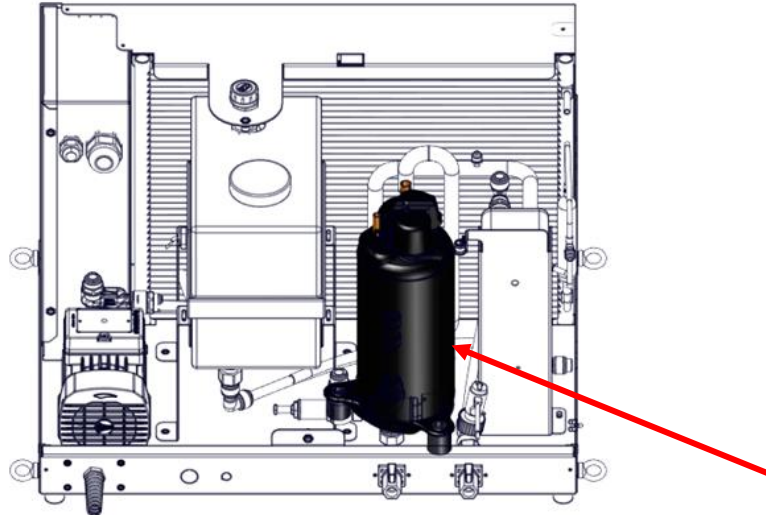


Figura 15 – Posizione del compressore

- Verificare il funzionamento del ventilatore.

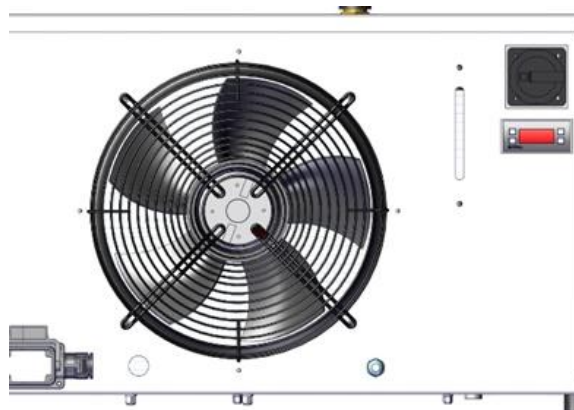


Figura 16 – Posizione del ventilatore

- Verificare il funzionamento dei comandi e degli impianti elettrici di allarme.
- Verificare il riempimento del serbatoio (controllo visivo del livello). Se l'impianto è stato riempito con una miscela di glicole, provvedere alla ricarica utilizzando la stessa miscela.
- Verificare che i valori di pressione, portata e temperatura del circuito idraulico rientrino nei limiti indicati sulla targhetta identificativa della macchina.
- Se il refrigeratore è dotato di un filtro aria, esso deve essere sostituito/pulito una volta al mese o, se necessario, con una frequenza maggiore.

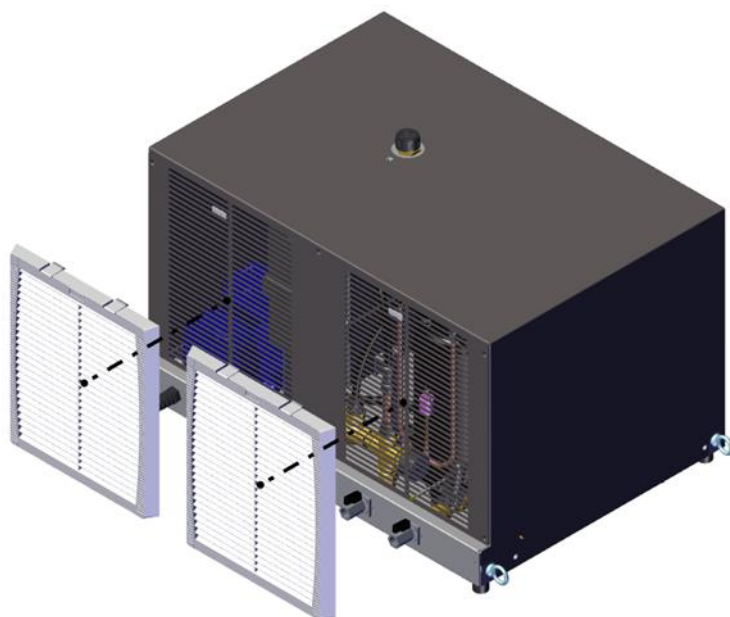


Figura 17 – Sostituzione filtro aria

- Il condensatore deve essere pulito ad intervalli mensili o, se necessario, più frequenti. Per accedere al lato giusto del condensatore, aprire il coperchio del refrigeratore, rimuovere la staffa posizionata sulla parte laterale del condensatore, e pulirlo dallo spazio tra il condensatore e il ventilatore. Utilizzare solo aria compressa (no acqua né solventi) per pulire la superficie del condensatore. La superficie delle alette del condensatore non deve presentare depositi di polvere, prodotti residui o fanghi.

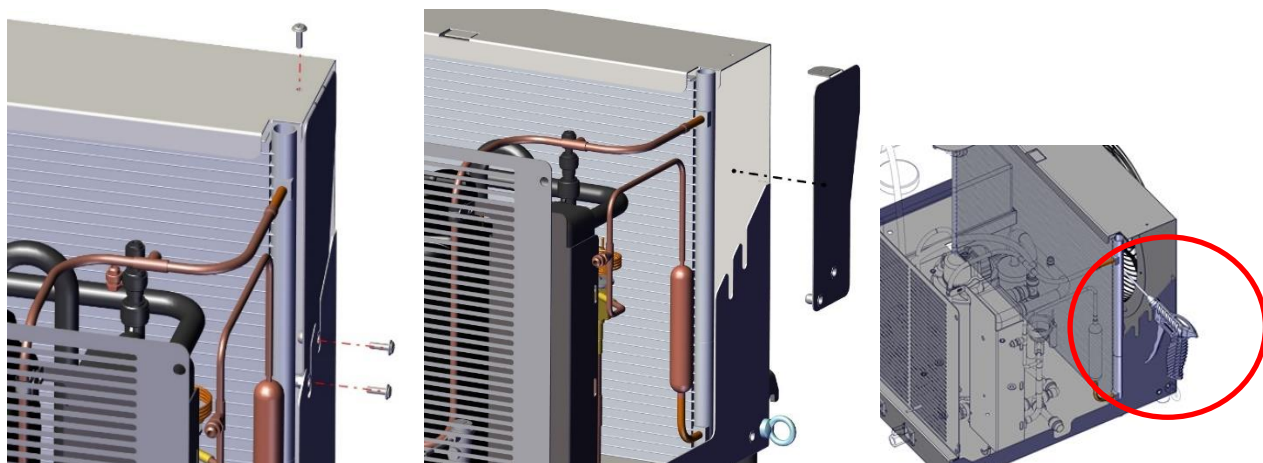


Figura 18 – pulizia del condensatore

- Se il refrigeratore è dotato di un filtro sul lato idraulico, tale filtro deve essere controllato/pulito una volta al mese o, se necessario, con una frequenza maggiore.
- Affinché l'unità funzioni nelle migliori condizioni, si consiglia di sostituire la miscela acqua-glicole 20% una volta all'anno (ogni due anni se si tratta di una miscela con glicole al 30% o al 50%).
- In caso di fermo prolungato del refrigeratore è necessario svuotare il serbatoio e l'intero circuito idraulico. Connettere un tubo al portagomma in uscita dell'evaporatore e aprire la valvola a sfera per svuotare il circuito idraulico.

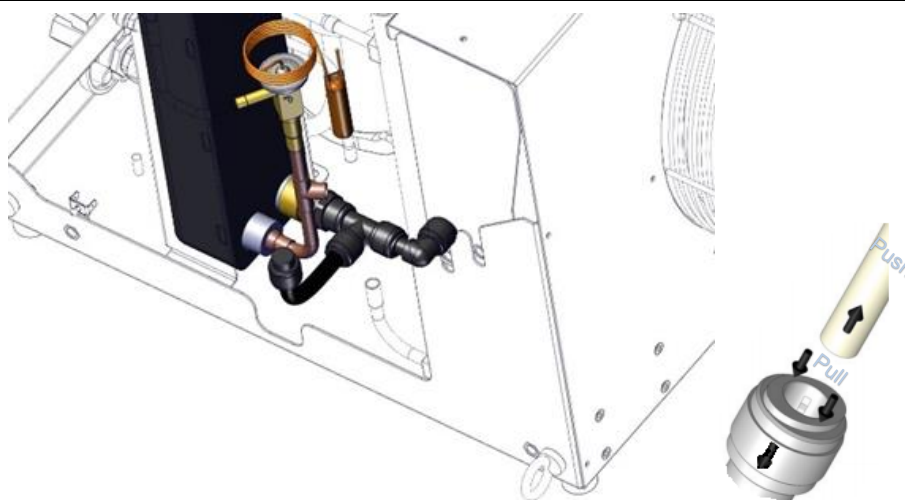


Figura 19 – svuotamento del refrigeratore

- In caso di nuova installazione si consiglia di svuotare il circuito idraulico. Fare riferimento al capitolo 5 per il sollevamento dell'unità e ai capitoli 6 e 10 per i collegamenti e la messa in funzione.
- Prima di eseguire interventi di assistenza e manutenzione per i quali sia necessario sezionare il circuito di raffreddamento, leggere attentamente la tabella di descrizione dei componenti riportata nell'Appendice B2.
- Poiché nel circuito di raffreddamento non è installato alcun dispositivo con volume interno superiore a 25 litri, non è necessario alcun controllo ulteriore da parte di un ente autorizzato ai sensi del D.M. n. 309 del 1 dicembre 2004.

Il cliente è tenuto a verificare la conformità a tutti gli altri requisiti di legge locali vigenti.

TABELLA DI MANUTENZIONE


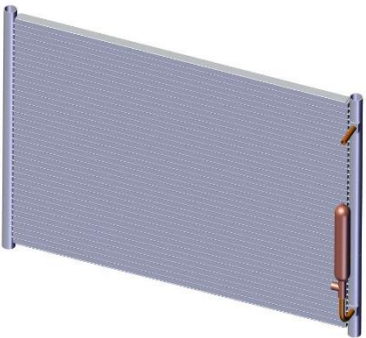
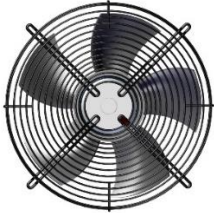
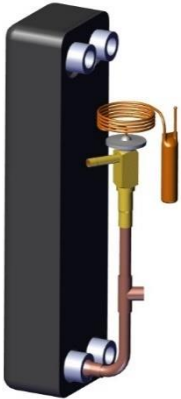

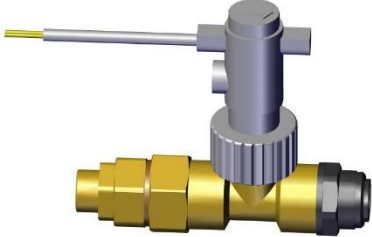


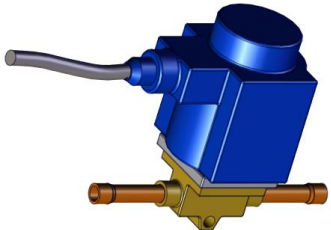
Componente	Intervento	Intervalli di tempo consigliati
Filtro dell'aria (se installato)	Soffiare con aria compressa	1 mese
Condensatore	Soffiare con aria compressa (max 2 Bar)	1 mese
Livello del liquid nel serbatoio	Controllare e riempire il livello con circuito pieno	1 mese
Filtro idraulico (se installato)	Controllare visivamente e pulire il filtro	1 mese
Circuito idraulico	Controllo visivo di eventuali perdite	1 mese
Vibrazioni e rumore	Verificare eventuali fissaggi allentati	1 mese
Fluido raffreddato (livello Ph)	Verificare livello Ph se minore di 7, sostituire completamente il fluido raffreddato	3 to 6 mesi
Fluido raffreddato (20% glicole)	Verificare la concentrazione tra 23% e 15%, se non rientra nel range sostituire completamente il fluido raffreddato	3 to 6 mesi
	Replace completely coolant	1 anno
Fluido raffreddato (35% glicole)	Verificare la concentrazione tra 37% e 30%, se non rientra nel range sostituire completamente il fluido raffreddato	3 to 6 mesi
	Sostituire completamente il fluido raffreddato	2 anni

NOTE: con condizioni ambientali dannose gli intervalli di tempo richiesti possono essere più brevi.

ALLEGATO B2

Componenti elettrici e meccanici

I circuiti frigorifero e idraulico sono accessibili rimuovendo i due pannelli laterali.

<p>Compressore</p> 	<p>Condensatore + filtro disidratatore/Ricevitore</p> 	<p>Ventilatore</p> 
<p>Valvola termostatica / evaporatore</p> 	<p>Pressostato di alta pressione</p> 	<p>Livello elettrico</p> 
<p>Pompa</p> 	<p>[Accessorio]: Filtro aria</p> 	<p>[OPTIONAL]: Hot Gas By-Pass</p> 

DOCUMENT REVISION HISTORY			
Date	Revision	Description	Name
21/05/2019	01- <u> </u>	First Release	KP
29/01/2021	01-A	General Update	L.Z
07/04/2022	01-B	Added WEEE Regulation	PP