






PAS 6043 6133 6203

COOL AIR/AIR HEAT EXCHANGER 20 W/K | 65 W/K | 100 W/K

PAS: for outer mounting on the door or side

- cut-out compatible with DTS 9041, 9341C, 9141, 6000 cooling unit series
- mounting-friendly seal, no elaborate reworking of the mounting cut-out
- integrated thermostat for temperature control
- additional thermostat for excessive temperature warning
- maintenance-free
- large distance between intake and exhaust vents, safe circulation within the electrical enclosure due to long passage of air, therefore hot spots are eliminated



				
protection system	side mounting	temperature alarm	temperature control	cut-out compatible to DT

PRODUCT	PAS 6043	PAS 6133	PAS 6203	UNIT
ARTICLE NO.	12981111055	12982411055	12983611055	

DATA				
Rated voltage ±10 %	AC 50 60			Hz
	230			V
Specific cooling capacity	20	65	100	W/K
Power consumption	50 56	310 420		
Current consumption	0.25 0.26	1.3 1.8	1.3 1.7	A
Starting current	0.7 0.8	3.6 3.7	3.5 3.3	
Unimpeded airflow (free flow)	internal	240 280	1175 1300	
	external	240 280	1175 1300	
Pre fuse T	1	4	2	A
Type of connection	spring-type terminal included with plug			
Noise level according to EN ISO 3741	< 61	< 70	< 69	dB (A)
Weight (without packaging)	15.2	24.9	46	
Ambient temperature range	-25 ... +55 -13 ... +131			
Control rang (adjustable)	control thermost.	+20 ... +55 +68 ... +131; factory setting +35 +95		
	alarm thermost.	+30 ... +65 +86 ... +149; factory setting +45 +113		
Duty cycle	100			%
Protection system according to EN 60529	IP 54	towards the electrical enclosure if used as intended by the manufacturer		
	IP 34	towards the surroundings if used as intended by the manufacturer		
Design	housing	galvanised steel		
	cover	galvanised electrostatically powder coated (200 °C)		
Colour	cover	RAL 7035 different colours available on request		

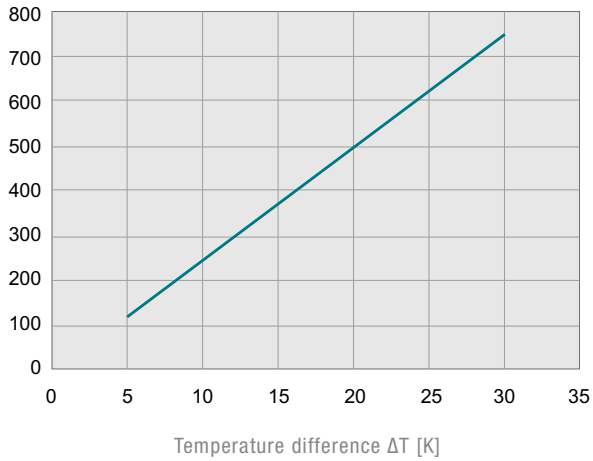
ACCESSORIES	Piece	ARTICLE NUMBER		
Filter adapter (RAL 7035)	1	18060200000	18060200001	18310000151
Vlies filter	5	18061600000	18061600001	18300000147

For additional models, options and voltages visit www.pfannenber.com or contact us directly.

COOLING CAPACITY PERFORMANCE CURVES

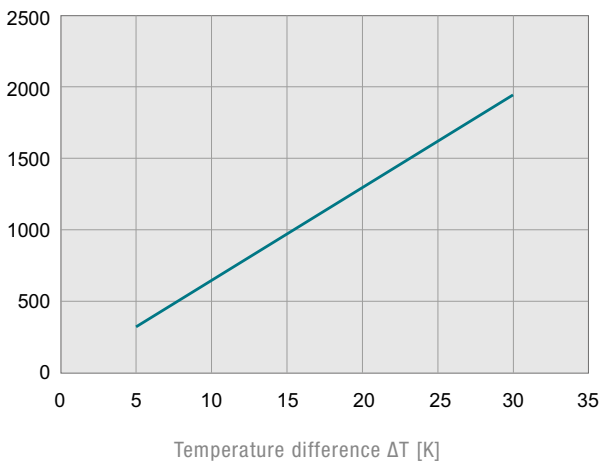
PAS 6043

Cooling capacity Q_0 [W]



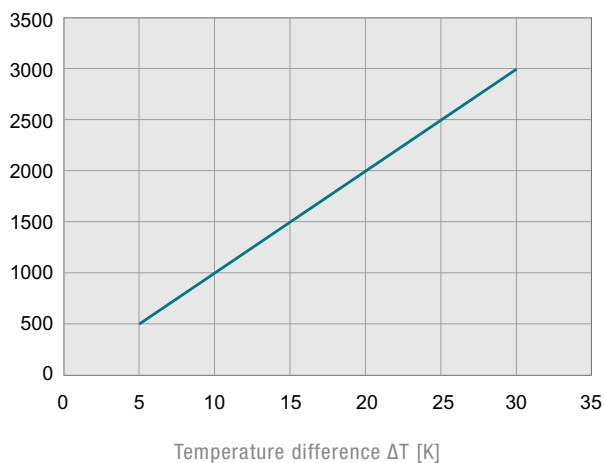
PAS 6133

Cooling capacity Q_0 [W]



PAS 6203

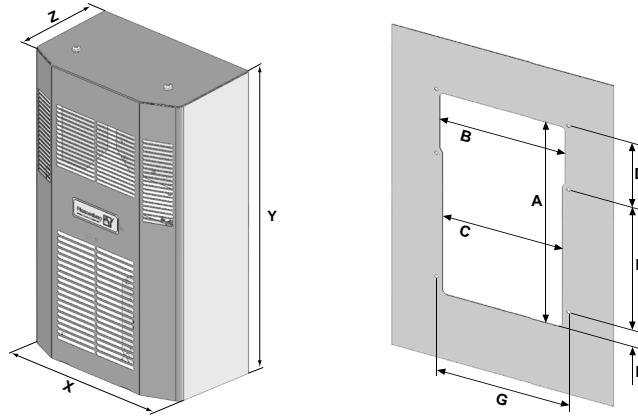
Cooling capacity Q_0 [W]



DIMENSIONS

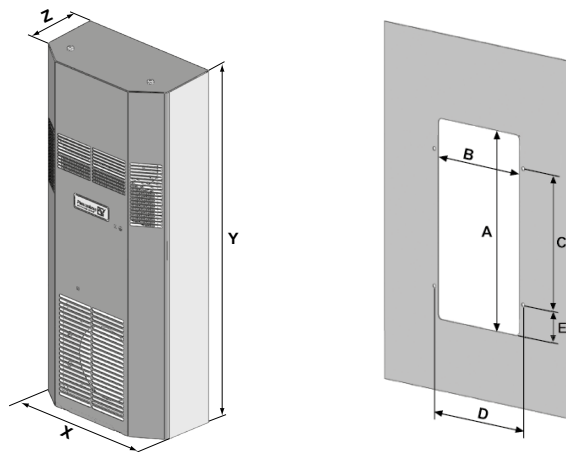
PAS 6043	X	Y	Z	A	B	C	D	E	F	G
mm	380	618	212	472	285	272	150	288	40	300

Mounting holes \varnothing 8 mm and cut-out radio R20



PAS 6133	X	Y	Z	A	B	C	D	E
mm	410	937	199	662	320	562	350	55

Mounting holes \varnothing 8 mm and cut-out radio R20



PAS 6203	X	Y	Z	A	B	C	D	E	F	G	H	I
mm	485	1555	252	700	282	220	17.5	450	510	290	315	350

Mounting holes \varnothing 8 mm and cut-out radio R20

