

SPECTRA TRAFFIC LIGHTS

P 450 TLA | P 350 TLA



Signal lights for traffic light applications.

- Simple to combine for horizontal or vertical configuration.
- Convenient electrical connection of combined traffic lights.
- Safe and maintenance-free even under the influence of extreme vibration thanks to LED technology.
- High power steady-on mode plus 7 other signaling modes.
- Stable fixing bracket for flexible alignment and mounting (optional).
- Durable, sturdy and functionally reliable due to the use of high-quality plastic.
- High signaling effect due to prismatic coloured lens.
- Glare protection adjustable to suit local conditions.
- High IP protection in any installation position.
- Connecting piece for traffic light combinations included.



protection system



operating temperature



PRODUCT	P 450 TLA		P 350 TLA	
DATA				
Rated voltage	115 / 230 V	12 / 24 V	115 / 230 V	12 / 24 V
	AC 50 60 Hz / DC	DC	AC 50 60 Hz / DC	DC
Operating range	48–260 V	10–14 V / 16–33 V	48–260 V	10–14 V / 16–33 V
Nominal current consumption @ continuous light	90 mA @ 115 V AC 55 mA @ 230 V AC	160 mA @ 12 V DC 180 mA @ 24 V DC	90 mA @ 115 V AC 55 mA @ 230 V AC	160 mA @ 12 V DC 180 mA @ 24 V DC
Operating mode	LED continuous light plus 7 other signaling modes			
Light source	High output white LED array			
Light intensity (DIN 5037)	125 cd			
Max. viewing distance	259 m			
Operating temperature	–40 °C ... +70 °C			
Relative humidity	95 % @ +20 °C			
Protection system (EN 60529)	IP 65			
Duty cycle	100 %			
Service life of the light source	>50,000 hrs			
Material	● ● ● polycarbonate (PC), UL 94 V0 f1			
Design	bayonet with anti-tamper locking screw			
Mounting	surface mounting (wall bracket available as accessories)			
Connecting terminal	screw terminal 2x 0.5 – 2.5 mm ²			
Cable entry	1x 5-7 mm push through grommet (bottom side); 2x M20 cable entries sideways (incl. connecting piece)			
Weight	425 g		243 g	

OPTIONS/ACCESSORIES

Wall bracket for single mounting P 450

Article no. 21399000000

Wall bracket for single mounting P 350

Article no. 21398000000

Wall bracket set for combinations of 2 or 3 P 450

Article no. 21397000000

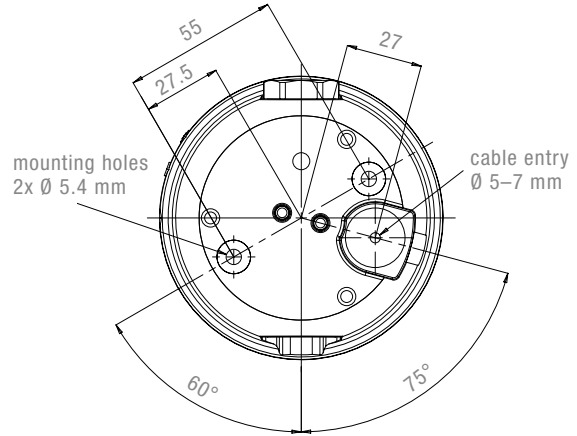
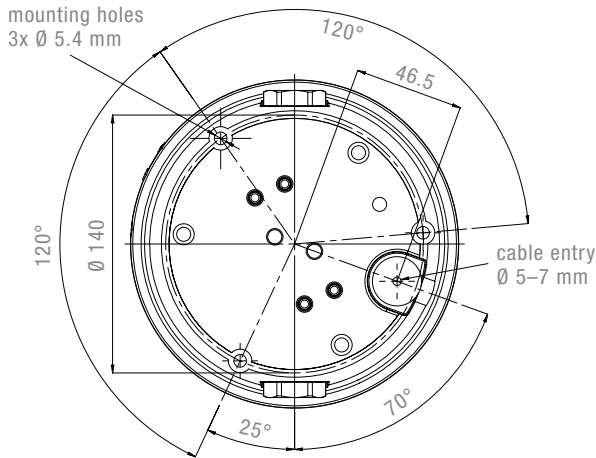
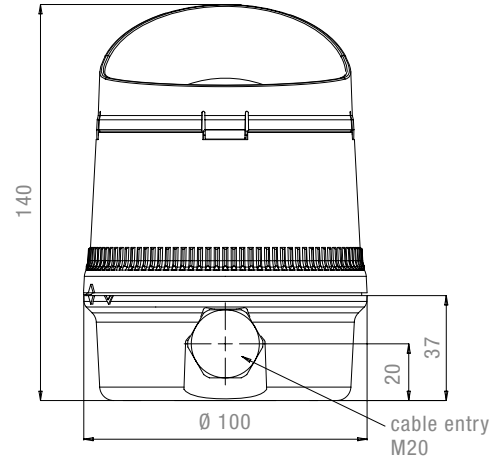
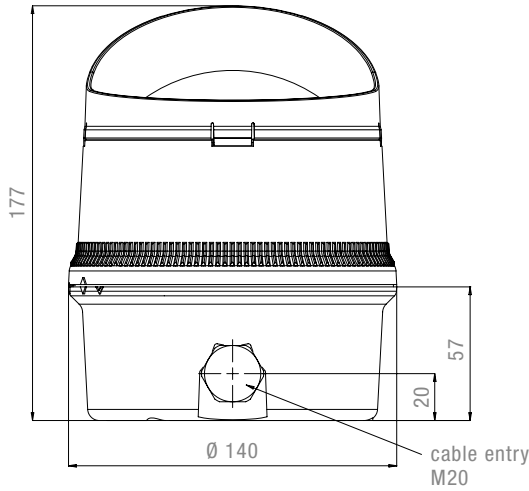
Wall bracket set for combinations of 2 or 3 P 350

Article no. 21396000000

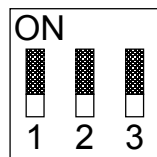
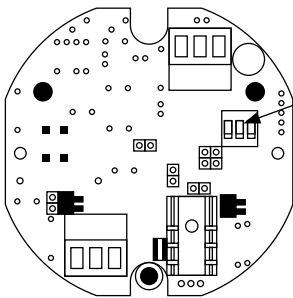
DIMENSIONS

P 450 TLA

P 350 TLA



FLASH SETTINGS



Flash Mode Dip Switch
Shown with
1-OFF, 2-OFF, 3-OFF (0 0 0) = Steady On (Default)

Switch setting	Flash mode
(0 0 0)	Steady On
(1 0 0)	Blinking
(0 1 0)	Flashing 1 Hz
(1 1 0)	Flashing 1,5 Hz
(0 0 1)	Flashing Double Strike
(1 0 1)	Flashing Triple Strike
(0 1 1)	Flashing 2 Hz
(1 1 1)	Flashing – Temporal

ARTICLE NO.	P 450 TLA		P 350 TLA	
	48 / 115 / 230 V AC	12 / 24 V DC	48 / 115 / 230 V AC	12 / 24 V DC
	21355644000	21355634000	21352644000	21352634000
	21355645000	21355635000	21352645000	21352635000
	21355646000	21355636000	21352646000	21352636000