

PF 65.000 SL

ECOOL SLIM LINE FILTERFAN 500–550 m³/h

Pfannenbergs 4th Generation filterfan with low installation depth

- installation size 6, air flow rate up to 550 m³/h
- three performance classes, cut-out compatible
- system of protection IP 55, NEMA type 12
- UL, cUL approval
- UV-resistance (IP 55 version, RAL 7035)



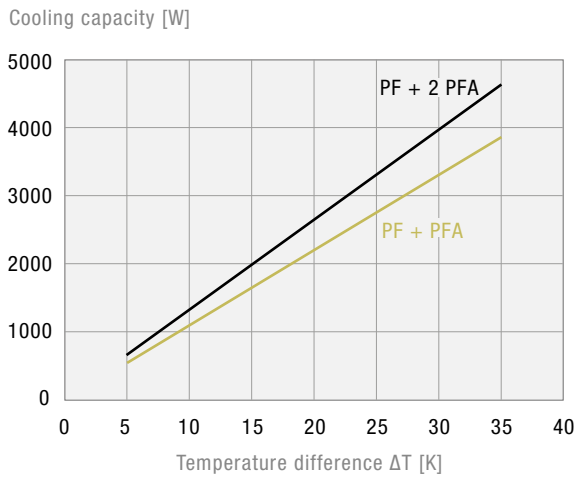
PRODUCT		PF 65.000 SL		
ARTICLE NO.	IP 55	11675103055	11675153055	Unit
DATA				
Rated voltage ±10 %	AC 50 60 Hz			
	230		115	V
Unimpeded airflow	500 550			m ³ /h
Airflow rate in combination with exhaust filter	345 423			
Power consumption	64 80			W
Current consumption	0.29 0.35		0.58 0.7	A
Noise level according to EN ISO 3741	54 52			dB (A)
Weight	3.3			kg
Type of connection	screw terminal			
Fuse	6			A
System of protection according to EN 60529 / UL 50	NEMA type 12 - fluted filter			
Filtration efficiency	91			%
Filter mat quality class according to EN 779	G 4			
Duty cycle	100			%
Bearing type	ball bearing			
Service life L ₁₀ (+ 40 °C) ¹	40000			h
Temperature range	-40 ... +55 -40 ... +131			°C °F
Design (housing and protection against accidental contact)	made of injection-moulded thermoplastic, self-extinguishing, UL 94 V0, UV-resistant			
Colour	RAL 7035 different colours available on request			

ACCESSORIES		ARTICLE NUMBER
Exhaust filter		11760003055
Spare filter mats	5 pieces	18611600037
Thermostat		17121000000
Hygrostat		17207000000
Rainhood in stainless steel		18102000020

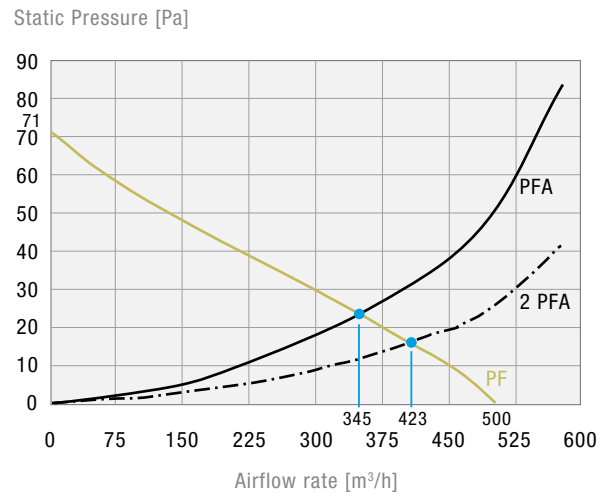
For additional models, options and voltages visit www.pfannenbergs.com or contact us directly.

¹ fan failure is defined as being when the current and speed deviate or the operating noises are out of the ordinary

Cooling capacity performance curves

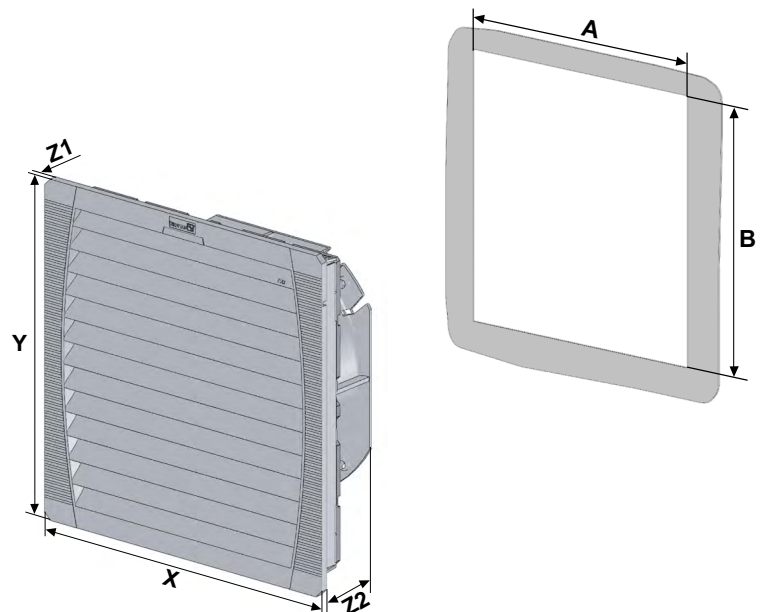


Static pressure performance curve



Dimensions

mm	PF 65.000 SL	PFA 60.000
X	320	320
Y	320	320
Z1	7	7
Z2	124	39
A¹	292	292
B¹	292	292



¹ for material thicknesses up to 2 mm
+ 1 mm for thickness of material > 2 mm ≤ 3 mm