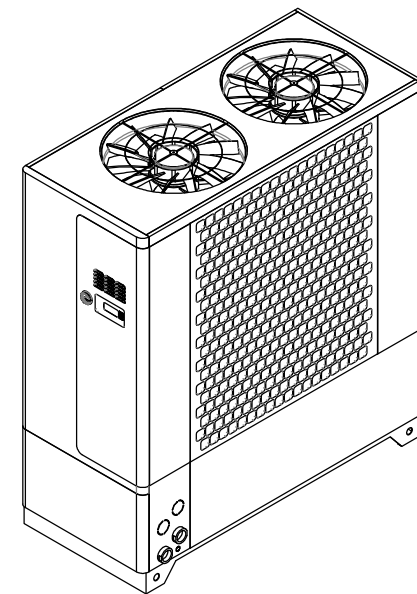



	7	8
A	1840	
B	830	
C	2030	
D	1685	inlet
E	175	standard
F	1590	outlet
G	240	standard
H	155	optional
I	325	optional / tank level equalization
J	390	optional
K	G 2"	cold water connection
L	1730	power supply
M	125	power supply
N	1640	power supply
□	65	power supply
P	∅ 48	power supply



**Pfannenberg** 

ELECTRO-TECHNOLOGY FOR INDUSTRY

f	-	-	editor	Mantwill
e	-	-	date	12.02.2016
d	-	-	rev.	00
c	-	-	Pfannenberg Europe GmbH	
b	-	-	Werner-Witt Strasse 1	
a	-	-	D-21035 Hamburg	
status	revision	date	name	www.pfannenberg.com

copyright notice ISO 16016	scale 1:25
All dimensions in mm!	tolerance DIN ISO 2768 - cL
designation: <b>Abmessungen EB XT 700 - 1000</b> <b>main dimensions EB XT 700 - 1000</b>	