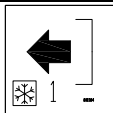
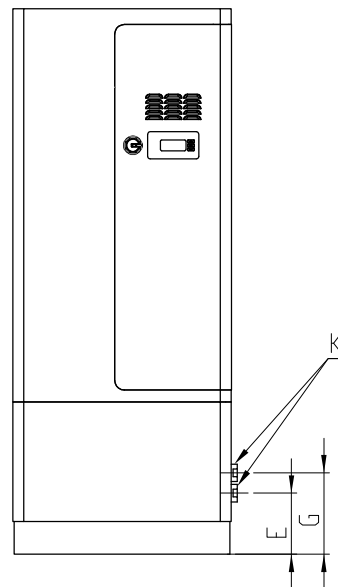
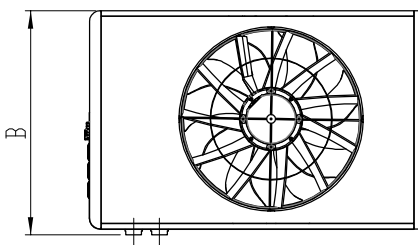
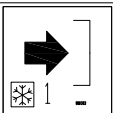


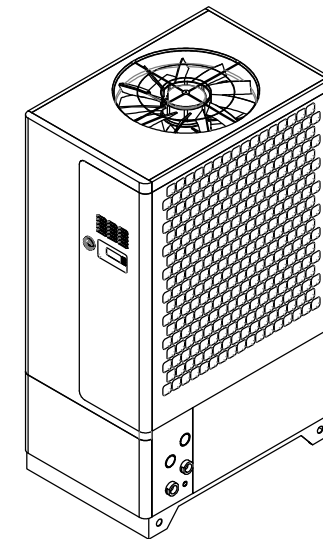
G1 1/2" (female)




G1 1/2" (female)



A	1240	
B	830	
C	2030	
D	1055	inlet
E	225	standard
F	960	outlet
G	300	standard
H	200	optional
I	375	optional / tank level equalization
J	450	optional
K	G 1 1/2"	cold water connection
L	1130	power supply
M	125	power supply
N	1040	power supply
□	65	power supply
P	∅ 48	power supply



**Pfannenberg**   
 ELECTRO-TECHNOLOGY FOR INDUSTRY

f	-	-	editor	Mantwill
e	-	-	date	12.02.2016
d	-	-	rev.	00
c	-	-	Pfannenberg Europe GmbH	
b	-	-	Werner-Witt Strasse 1	
a	-	-	D-21035 Hamburg	
status	revision	date	name	www.pfannenberg.com

copyright notice ISO 16016 scale 1:25  
 All dimensions in mm! tolerance DIN ISO 2768 - cL  
 designation:  
**Abmessungen EB XT 400 - 600**  
**main dimensions EB XT 400 - 600**