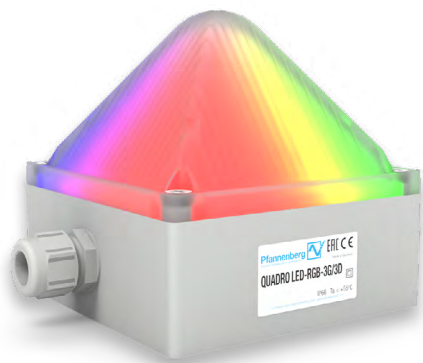


EX-ATEX LED MULTI-FUNCTION LIGHT QUADRO LED-RGB-3G/3D



Most flexible, ultra-bright RGB multi colour LED technology certified for Ex-Zones 2 and 22.

- **Explosion proof** – Made to be used in potentially explosive areas in zone 2 (3G) according to EN 60079-10-1 and zone 22 (3D) according to EN 60079-10-2.
- **Selectable Colour** – QUADRO LED-RGB-3G/3D permits to choose the colour you require with just one product. Stay flexible and keep your stock to a minimum!
- **External colour & mode control** – Whether operation, error indication or any other status – with QUADRO LED-RGB-3G/3D you can state several situations with only one light. Feel free to choose and change colour and mode easily by remote control!
- **Selectable blink & flash frequencies** – Adaptable to all your applications – select the frequency your gadget requires and boost the perceptibility.
- **Multi-voltage-power supply** – Plug and play – made to connect with different voltages. No need to stock various units - QUADRO LED-RGB-3G/3D adapts to most machines and applications no matter the voltage!
- **Flexible range of applications** – Whether for indoor or outdoor use, for industrial applications or as a stack light replacement – QUADRO LED-RGB-3G/3D can be used for numerous applications.



protection system



impact-proof housing



operating temperature



brightness adjustable

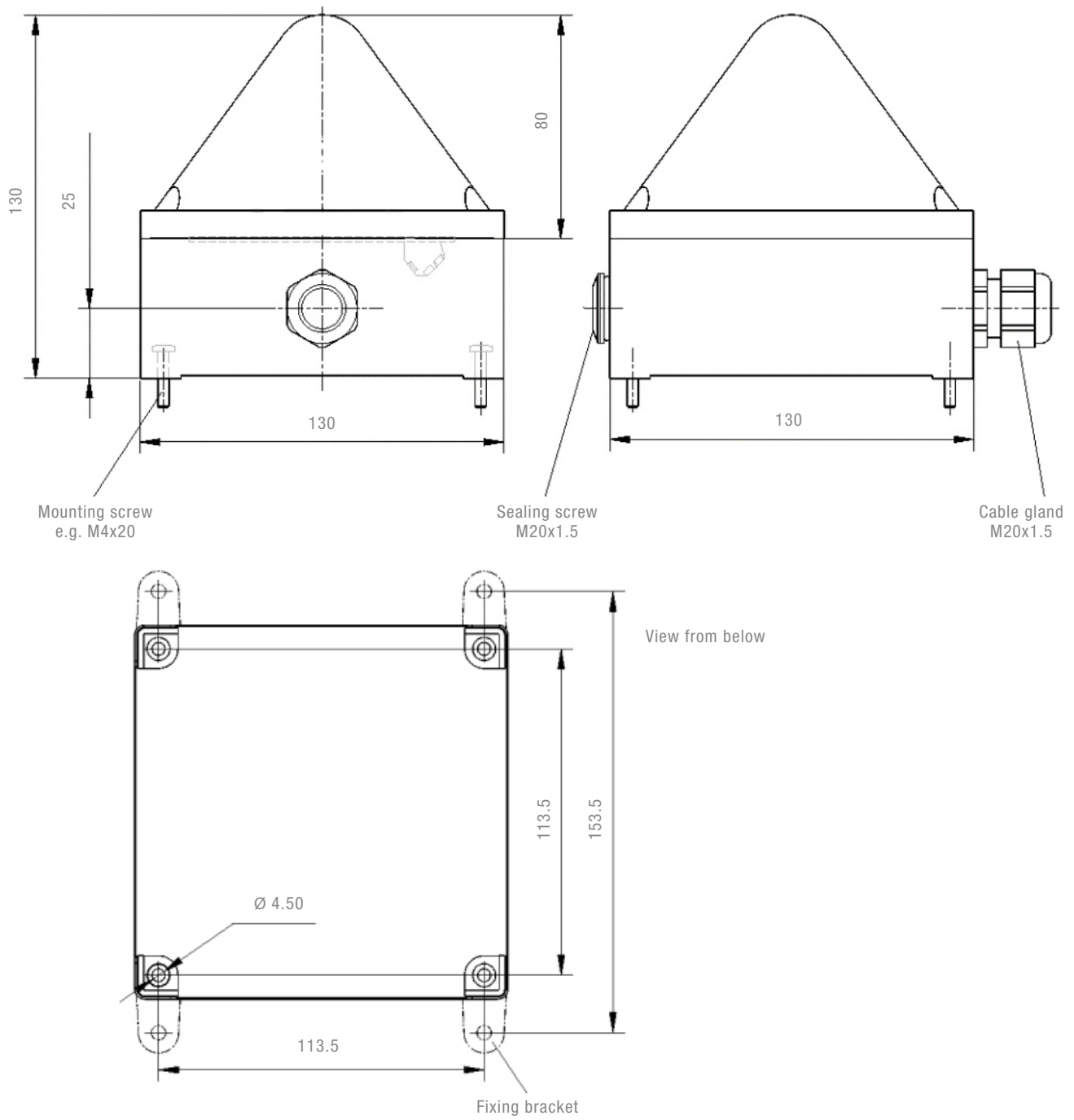


warranty


PRODUCT	QUADRO LED-RGB-3G/3D	
DATA		
Rated voltage	115–230 V AC 50 60 Hz	12–48 V DC –
Operating range	90–253 V AC	10–57 V DC
Current consumption in continuous light mode (yellow)	51 mA @ 36 mA	276 mA @ 64 mA
Explosion protection	II3G Ex nRc IIC T6 Gc II3D Ex tc IIIB T80 °C IP66/67	–20 °C ≤ Ta ≤ +55 °C –20 °C ≤ Ta ≤ +55 °C
Testing body	Pfannenberg PDG 20.0008 X	
Category (area of use)	3G (Zone 2), 3D (Zone 22)	
Conformity to standards	Directive 2014/34/EU (ATEX)	
Special conditions	X: see operating instructions	
Operating mode	continuous light blinking light 1 / 2 Hz flashing light 0.1 / 0.5 / 0.75 / 1 / 2 Hz	
Control of operating mode	internally / externally	
Light source	1 High output LED (RGBW)	
Light intensity (DIN 5037) ¹	8 cd (signal color yellow, flashing light 1 Hz, 10 %–100 %)	
Max. viewing distance	66 m	
Operating temperature	–20 °C ... +55 °C	
Storage temperature	–40 °C ... +70 °C	
Relative humidity	90%	
Protection system (EN 60529)	IP 66 / 67, mounting arbitrary	
Impact resistance (EN 50102)	IK08	
Protection class	II	
Duty cycle	100 %	
Service life of the light source	>50,000 h	
Material	lens	○ polycarbonate (PC)
	housing	polycarbonate (PC), light grey RAL 7035
Cable entry	2x M20 x 1.5 (1x sealing screw, 1x cable connection)	
Connecting terminal	Clamp cage 0.13 - 2.5mm ² fine stranded / AWG26 - AWG 14 0.25 - 1.5 mm ² AEH / AWG23 - AWG 16	
Weight	500 g	

¹ with a white lens

DIMENSIONS

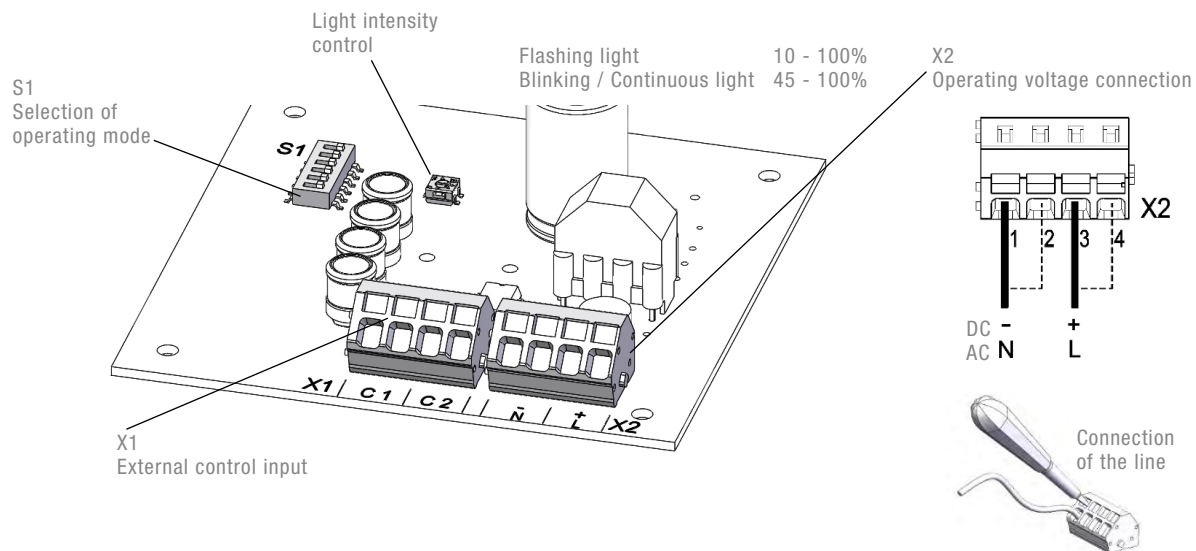


Additional mounting possible via external lugs (included).

ARTICLE NO.	QUADRO LED-RGB-3G/3D	
LIGHT- / LENS COLOUR	115-230 V AC	12-48 V DC
RGB  / White 	21109648009	21109638009

CONNECTION DIAGRAM

QUADRO LED-RGB-3G/3D



CONFORMITY TO STANDARDS

We hereby declare that the explosion-protected means of alarm with the type designation **QUADRO LED-RGB-3G/3D** has been developed and manufactured in accordance with the requirements as per EN 60079.

This declaration is based on compliance with the following regulations and standards:

DIN EN 60079-0	Electrical equipment for areas at risk of gas explosions – Part 0: General requirements
DIN EN 60079-15	Electrical equipment for areas at risk of explosions – Part 15: type of protection type “n”
DIN EN 61241-0	Electrical equipment for use in areas with combustible dust – General requirements
DIN EN 61241-1	Electrical equipment for use in areas with combustible dust – protection by enclosure “tD”
DIN EN 60598-1	Lights – Part 1: General requirements and tests
DIN EN 60947-1	Low-voltage switchgear – Part 1: General specifications
DIN EN 60529	Types of protection by enclosure (IP code)
DIN EN 50102	Types of protection by enclosure for electrical equipment against external mechanical stresses (IK code)
DIN EN 61000-6-2	Electromagnetic compatibility (EMC) – Part 6-2: Generic standards, noise immunity for industrial areas
DIN EN 61000-6-3	Electromagnetic compatibility (EMC) – Part 6-3: Generic standards, interference emission for residential areas, business and commercial areas as well as small companies
DIN EN 981	Machine safety – System of acoustic and visual alarm signals and information signals
ISO 11429	System of acoustic and visual alarm signals and information signals
UVV-BGV A3(VBG4)	Electrical plants and equipment
GSGV	German Appliance Safety Act

The QUADRO LED-RGB-3G/3D multifunction lights are approved for use in potentially explosive areas in Zones 2 and 22 as per 2014/34/EU (ATEX).