

LED MULTI-FUNCTION LIGHT ABL / ABS LED-HI



- Designed for tough requirements under industrial conditions.
- Extreme bright 75 cd with high signaling effect.
- Suitable for indoor and outdoor use, brightness adjustable.
- Extremely insensitive to shock and vibration.
- 3 selectable operating modes as standard:
 - Continuous light
 - Blinking light
 - Flashing light
- 24 V AC/DC devices as standard with inrush current limitation.
- Inexpensive and flexible; wide range power supplies as standard.
- Metal housing, optional with protective case.



protection system



operating temperature




brightness adjustable



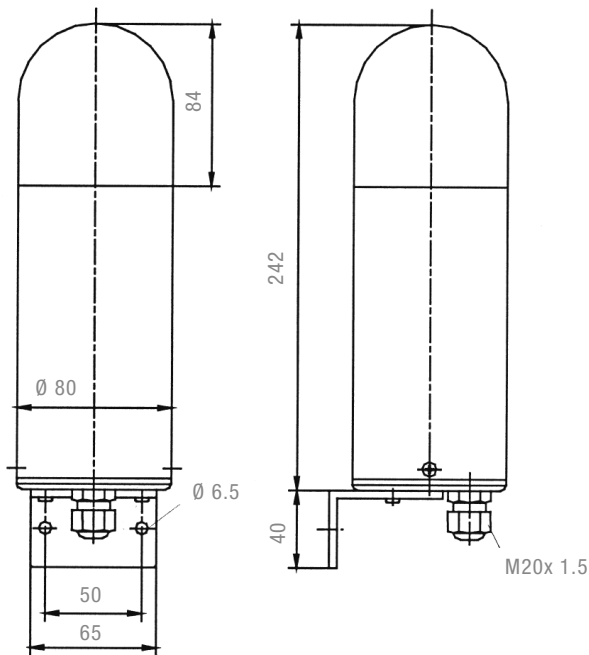
warranty



PRODUCT		ABL / ABS LED-HI		
DATA				
Rated voltage	115/230 V		24 V	
	AC 50 60 Hz / DC		DC	
Operating range	90–253 V		11–60 V	
Current consumption (@ 1 Hz flash)	50 mA @ 230 V AC		165 mA @ 24 V DC	
Operating mode internally and externally selectable (DC)	continuous light	blinking light	flashing light	
Light alternation frequency		1 Hz / 2 Hz	0.1 Hz / 0.5 Hz / 0.75 Hz / 1 Hz / 2 Hz	
Light source	4 high output LED			
Light intensity (DIN 5037) ¹	75 cd (reducible)			
Max. viewing distance	201 m			
Operating temperature	–40 °C ... +55 °C			
Storage temperature	–40 °C ... +70 °C			
Relative humidity	100 %			
Protection system (EN 60529)	IP 54			
Service life of the light source	≥50,000 hrs			
Material	lens	 polycarbonate (PC)		
	housing	aluminium (AL MgSi1), anodised		
	base	polycarbonate (PC) with fiberglass		
Cable entry	M20 x 1.5			
Connecting terminal	cage clamp 0.08–2.5 mm ²			
Weight	650 g / 800g			

¹ with a clear lens

DIMENSIONS



ARTICLE NO.	ABL LED - HI	ABS LED - HI
	230 V AC / DC	24 V DC
●	21118643000	21118633000
●	21118644000	21118634000
●	21118645000	21118635000

Article numbers for other colours and voltages on request.

OPTIONS/ACCESSORIES



Article no.
28710500042

CONFORMITY TO STANDARDS

The visual characteristics of flashing lights conform to the European standard DIN EN 842; "**Machine safety – visual alarm signals**". Requirements contained in the DIN EN 981 standard; "**Machine safety – system of acoustic and visual alarm and information signals**", can be fulfilled. The colours "red" for the emergency signal and "yellow" for the warning signal conform to the requirements of IEC 73 / DIN EN 60073 / VDE 0199; "**Coding of display devices and control elements using colours and supplementary means**".

References to visual alarm devices can be found in the following standards:

EN 60825-1	Radiation safety of laser devices, identical to IEC 825 and DIN-VDE 0837
DIN EN 54	Fire alarm systems
DIN 54113-2	Radiation protection regulations for the technical operation of X-ray equipment up to 500 kV