

# PYRA FLASHING LIGHT SOUNDERS 15 JOULE PY X-LA-15



Powerful flashing light sander combination with 15J in an extreme robust enclosure for any outdoor and indoor application with IP66 and IK08

- The sander with 103dB(A) is supporting the visual signal; both signals could be controlled separately
- Huge visual 3D-coverage area, more as double as a 10J flashing light
- Easy and safe installation design for failure free mounting in shortest time
- Approvals: EAC and UL certified for any markets
- Selectable flash frequency and synchronized flash, one fits all and avoiding of epilepsy
- 8 tones are selectable and sound level is reducible by -25 dB for adaption to any industry and environment



protection system



impact-proof housing



operating temperature



DC version



warranty



## PRODUCT PY X-LA-15

PRODUCT		PY X-LA-15			
<b>DATA</b>					
Rated voltage		230 V	115 V AC	24 V AC	24 V DC
		AC 50   60 Hz DC			DC
Operating range		187-255 V	90-135 V	21,6-26,4 V	19,2-28,8 V
Nominal current consumption	flashing light	150 mA @ 1 Hz	300 mA @ 1 Hz	890 mA @ 1 Hz	540 mA @ 1 Hz
	sounder	15 mA @ 1 Hz	15 mA @ 1 Hz	40 mA @ 1 Hz	20 mA @ 1 Hz
Nom. sound level		103 dB (A) @1m			
Sound pressure level @DIN-tone		101 dB (A) @1m			
Volume control		max. - 25 dB			
Tones		8			
Flash energy and flash rate		15 J @ 0,1   0,5   0,75   1 Hz			
Light source		xenon flash tube			
Light intensity (DIN 5037) <sup>1</sup>		190 cd			
Max. viewing distance		320 m			
Operating temperature		-40 °C ... +55 °C			
Storage temperature		-40 °C ... +70 °C			
Relative humidity		max. 90 %			
Degrees of protection		IP 66 (EN 60529) / NEMA 4/4X			
Impact resistance as per EN 50102		IK08			
Protection class		II			
Service life of light source		light emission still 70 % after 8,000,000 flashes			
Material	housing	PC/ABS, RAL 3000 <span style="color:red">●</span>   PC/ABS, RAL 7035 <span style="color:gray">●</span>			
	lens	<span style="color:red">/</span> <span style="color:white">●</span> <span style="color:yellow">●</span> <span style="color:orange">●</span> <span style="color:red">●</span> <span style="color:green">●</span> <span style="color:blue">●</span> polycarbonate (PC)			
Cable entry		4x M20 (prepared)			
Sealing range of diaphragm nipple		7-13 mm - With the use of cable diameters <7 mm, a cable screw joint with sufficient ingress protection must be provided			
Connecting terminal		0,14 - 2,5mm <sup>2</sup> fine wire / AWG 24 - AWG 14 (stranded)			
Weight (net)		900 g	870 g		

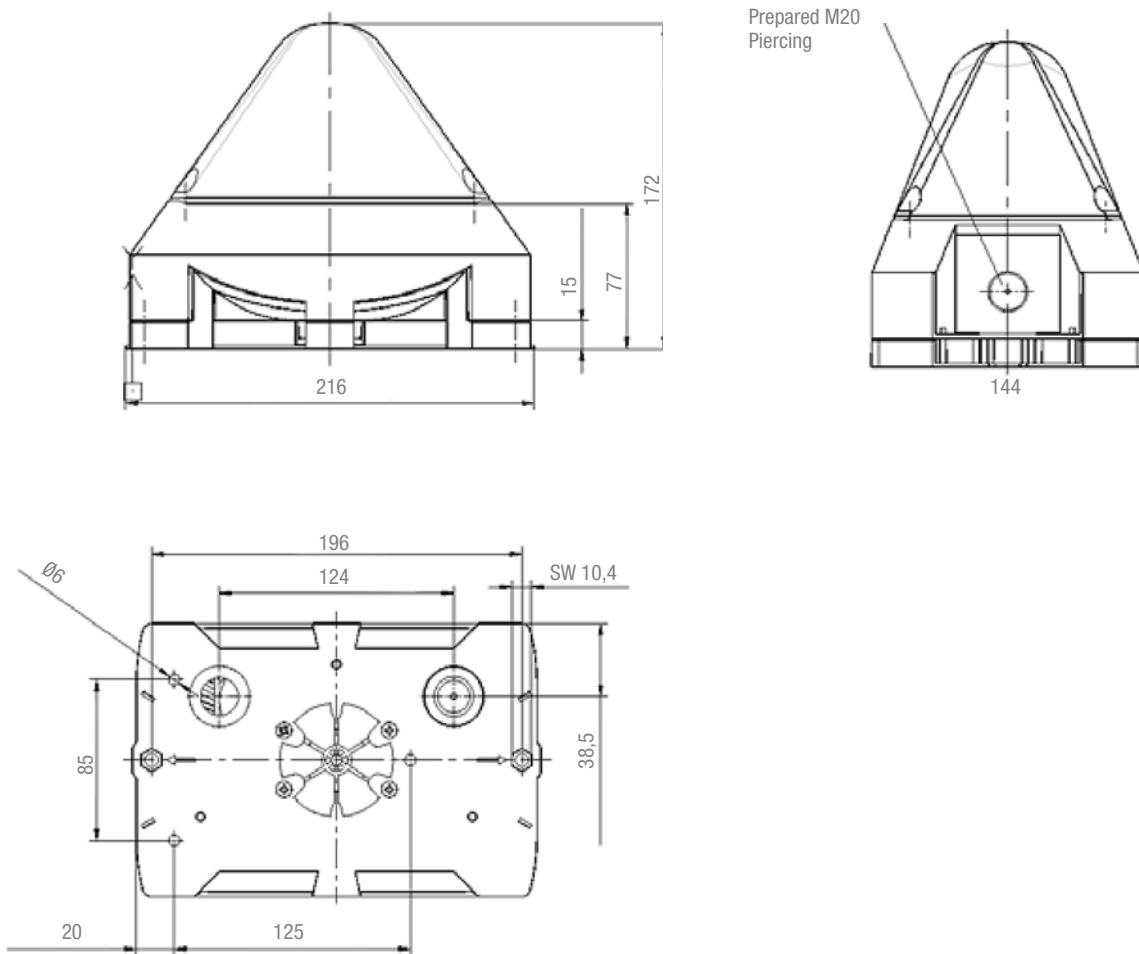
<sup>1</sup> with a clear lens

## OPTIONS/ACCESSORIES

- Surface gasket
- Tamper-proof sealing
- Panel mounting kit

**DIMENSIONS**

**PY X-LA-15**



ARTICLE NO.		PY X-LA-15	
HOUSING COLOUR	LENS COLOUR	230 V AC	24 V DC
●	∕		
●	●	21565103000	21565803000
●	●	21565104000	21565804000
●	●	21565105000	21565805000
●	∕		
●	●	21565103055	21565803055
●	●	21565104055	21565804055
●	●	21565105055	21565805055

Article numbers for other colours and voltages on request.

**CONFORMITY TO STANDARDS**

The visual characteristics of flashing lights conform to the European standard DIN EN 842; “Machine safety – visual alarm signals”.

Requirements contained in the DIN EN 981 standard; “Machine safety – system of acoustic and visual alarm and information signals”, can be fulfilled.

The colours “red” for the emergency signal and “yellow” for the warning signal conform to the requirements of IEC 73 / DIN EN 60073 / VDE 0199; “Coding of display devices and control elements using colours and supplementary means”.

References to visual alarm devices can be found in the following standards:

- EN 60825-1 Radiation safety of laser devices, identical to IEC 825 and DIN-VDE 0837
- DIN EN 54 Fire alarm systems
- DIN 54113-2 Radiation protection regulations for the technical operation of X-ray equipment up to 500 kV