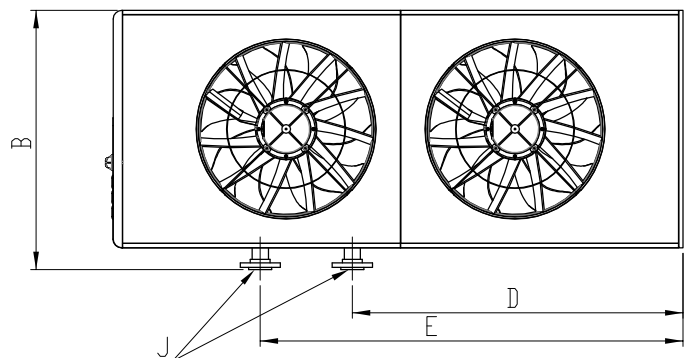
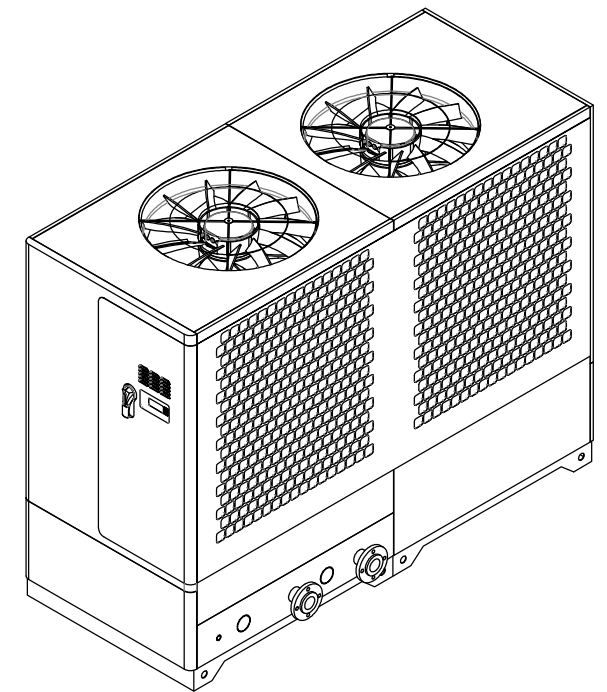
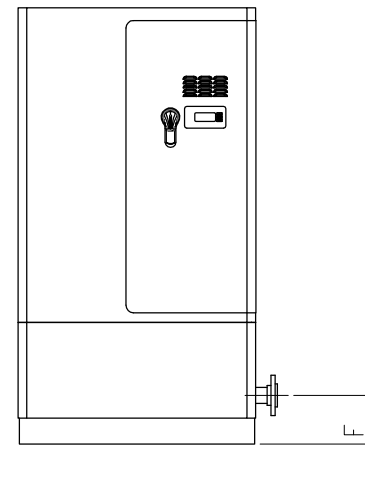
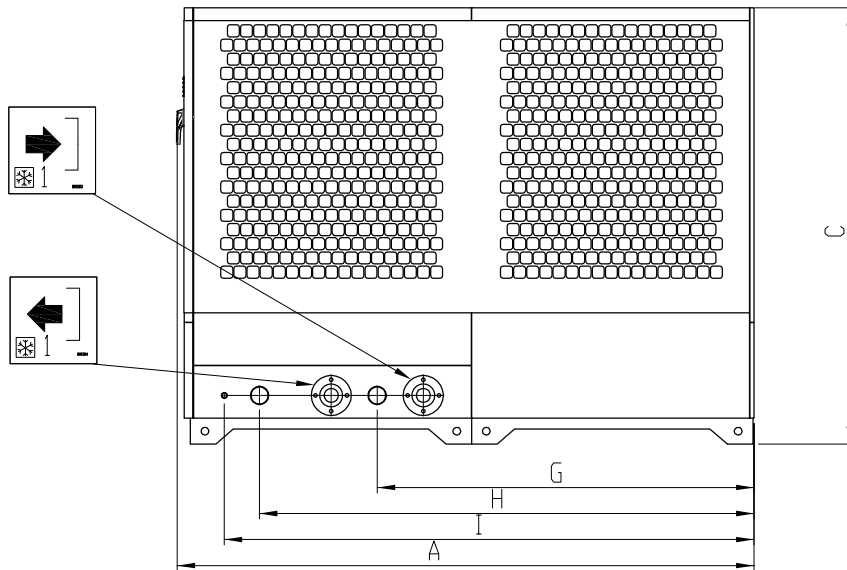



6		7	8
A	2660		
B	1200		
C	2030		
D	1525		inlet
E	1950		outlet
F	225		standard
G	1740		optional inlet / tank level equalization
H	2280		optional outlet
I	2445		optional
J	DN65 PN10		water connection / flanges based on DIN EN 1092-1
K	2540		power supply / control wire
L	135		power supply / control wire
M	2460		power supply / control wire
N	65		power supply / control wire
Ø	Ø 62		power supply / control wire



Pfannenberg 
 ELECTRO-TECHNOLOGY FOR INDUSTRY

f	-	-	editor	Mantwill
e	-	-	date	12.02.2016
d	-	-	rev.	00
c	-	-	Pfannenberg Europe GmbH	
b	-	-	Werner-Witt Strasse 1	
a	-	-	D-21035 Hamburg	
status	revision	date	name	www.pfannenberg.com

copyright notice ISO 16016	scale 1:25
All dimensions in mm!	tolerance DIN ISO 2768 - cL
designation: Abmessungen EB XT 1200 - 1600 main dimensions EB XT 1200 - 1600	