

PWS Series Air/Water Heat Exchangers

Installation, Operation and Service Manual

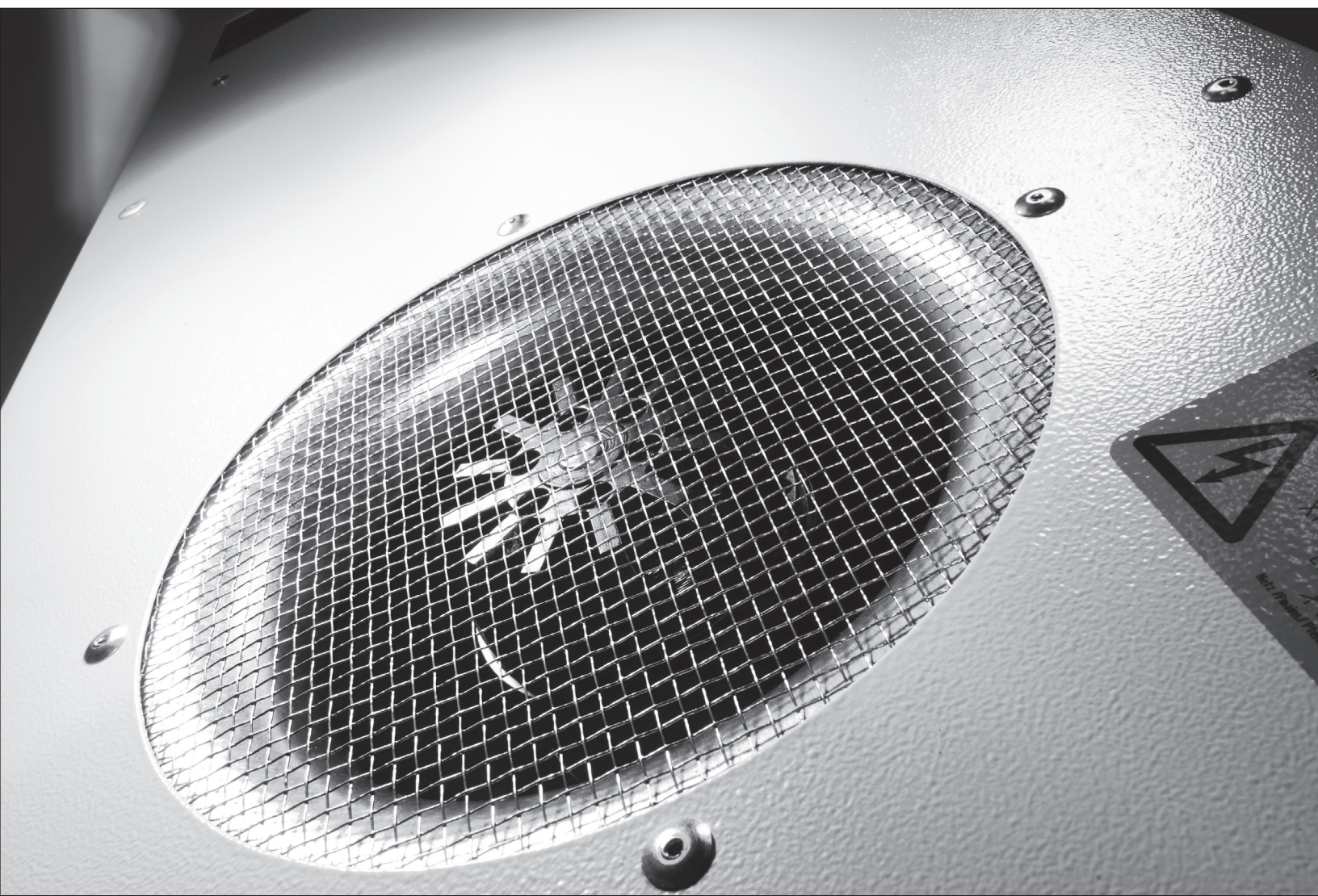


TABLE OF CONTENTS

| | |
|---|-----------|
| SECTION 1: HOW TO USE THIS MANUAL | 1 |
| SECTION 2: RECEIVING INSPECTION | 2 |
| 2.1 Unpacking | 2 |
| 2.2 Included Items | 2 |
| 2.3 Review of ID Plate | 2 |
| SECTION 3: HANDLING | 3 |
| 3.1 Transporting | 3 |
| 3.2 Storage | 3 |
| SECTION 4: INSTALLATION | 3 |
| 4.1 Pre-installation testing | 3 |
| 4.2 Installation onto the electrical panel | 3 |
| 4.3 Power connection | 4 |
| 4.4 Cooling Water Connection | 4 |
| 4.5 Condensation Water Connection | 4 |
| 4.6 Door Contact | 5 |
| SECTION 5: OPERATING CONDITIONS | 6 |
| 5.1 Requirements | 6 |
| 5.2 Theory of Operation | 6 |
| SECTION 6: UNIT START-UP | 7 |
| 6.1 General | 7 |
| 6.2 Setting the Operating Parameters | 7 |
| 6.2.1 Units with Water (Solenoid) Valve and Thermostat | 7 |
| 6.2.2 Units without Water Valve and Thermostat .. | 7 |
| SECTION 7: MAINTENANCE | 8 |
| SECTION 8: TROUBLESHOOTING | 8 |
| SECTION 9: DESIGN DATA | 8 |
| 9.1 Water Quality Notes | 8 |
| 9.2 SCCR Determination | 10 |
| SECTION 10: WARRANTY INFORMATION | 12 |

SECTION 1: HOW TO USE THIS MANUAL

This manual contains information on the installation and operation of PWS Series bolt-on cooling units intended to be door and side mounted on electrical panels.

These devices are designed to dissipate heat from sealed electrical panel enclosures and housings. The temperature of the cooling liquid supplied to the air/water heat exchanger must be at least 10° C colder than the heat exchanger inlet air temperature in order to ensure that the unit function correctly.

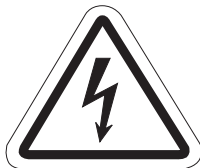
Conventions used:

Hint: A hint contains additional information on the action or instruction being described

WARNING!

If the information following this is not strictly followed there is a danger to health or life.

WARNING!



If the information following this is not strictly followed there is a danger to health or life due to electrical shock.

The technical data specific to each cooling unit, including installation connections and operational data, are contained on a separate data sheet supplied with each unit.

SECTION 2: RECEIVING INSPECTION

2.1 Unpacking

Prior to and during unpacking the cooling unit, visually inspect it to determine if any damage has occurred during shipping. Make sure that it does not contain any loose components. Before discarding any packaging materials: Look for loose parts, dented or scratched panels or fluids.

If any damage is noted it shall be reported immediately to the delivering carrier and a claim should be filed with them. Pfannenberg cannot accept responsibility for freight damage that may occur; we will assist you in any way possible if the need arises to file a claim.

In case of a warranty claim, the following information is required: exact details of the fault (including photographs, if possible), the cooling unit part number and serial number are required.

2.2 Included Items

The following items should be included:
 Cooling unit
 Mounting cutout
 Manual
 Technical Data Sheet

PWS Series accessory pack typically includes:

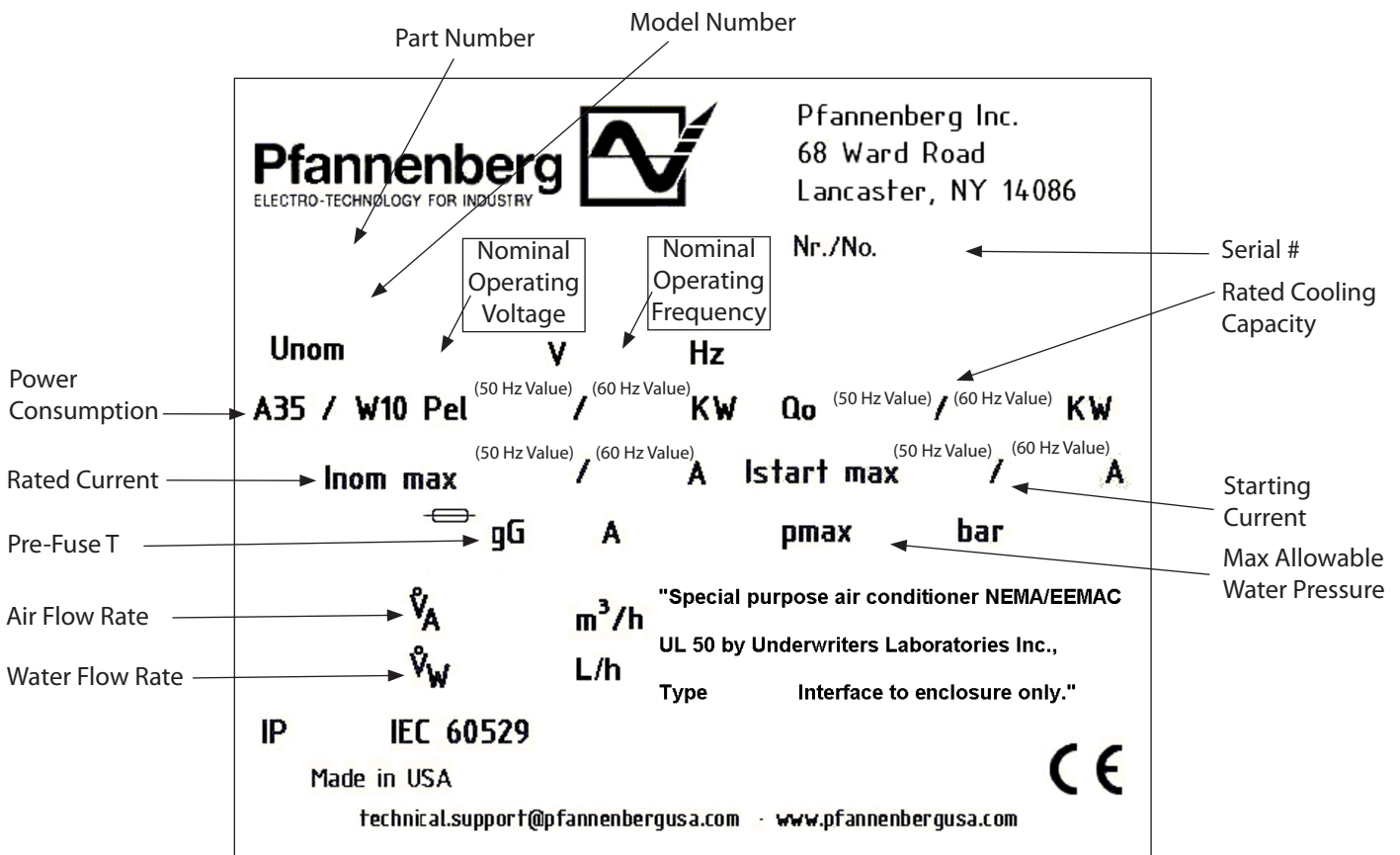
- Sealing strips
- Threaded mounting studs
- Mounting bolts, nuts and washers
- Condensate hose
- Door contact connector/jumper

2.3 Review of ID Plate

The ID plate is located on the left side of the cooling unit. The technical data specific to the cooling unit is located *on the ID plate as shown below.*

⚠ WARNING!

Burrs caused by production may be present on the metal edges of the cooling unit. Always wear protective gloves when carrying out installation or maintenance work.



SECTION 3: HANDLING

3.1 Transporting

The cooling unit shall only be moved in the fully assembled condition.

If the cooling unit is being shipped with an electrical panel enclosure it shall be packed separately from the electrical enclosure.

3.2 Storage

The cooling unit shall not be exposed to temperatures exceeding +70°C.

If the device is stored or transported at temperatures below freezing, the water circuit must be completely emptied using compressed air.

⚠ WARNING!

Failure to observe these requirements will void the warranty.

SECTION 4: INSTALLATION

4.1 Pre-installation testing

Before mounting the cooling unit to the electrical panel enclosure it should be tested to verify function.

Note: All devices are checked for leaks before leaving the factory.

We recommend installing a door contact switch to turn the device off when the electrical panel enclosure door is opened.

4.2 Installation onto the electrical panel

Before connecting the cooling unit to the power supply, verify that the following are correct:

Voltage must be within $\pm 10\%$ of the value listed on the ID plate.

Voltage frequency must be within ± 3 Hz of the value listed on the ID plate

Ambient temperature must be below +55°C (for options see "setting the operating parameters" section)

Place the drilling template supplied with the cooling unit onto the applicable mounting surface of the electrical panel enclosure.

⚠ WARNING!

Metal chips from drilling and cutting the openings may damage the electrical panel enclosure. Take precautions required to prevent chips and debris from getting into the enclosure.

⚠ WARNING!

Watch out for sharp edges created when drilling and/or cutting the enclosure.

Drill holes in the electrical panel enclosure to match the unit and cut out air flow openings.

Install the two supplied stud bolts (in the accessory pack) into the top two mounting hole locations of the cooling unit.

⚠ WARNING!

Please note the information on the “Thread Reach for Set Screw” label attached to the cooling unit. If the noted installed thread depth is exceeded the cooling unit may be damaged.

Install the cooling unit mounting insulation strips (in the accessory pack) to the cooling unit as noted on the individual cooling unit information sheet. Make sure that the insulation strips are correctly attached and placed correctly on the cooling unit. The correct fitting and location of the insulation strips is required for the proper operation of the cooling unit.

Attach the cooling unit to the electrical panel enclosure by use of the stud bolts inserted as described above.

⚠ WARNING!

Do not move the cooling unit by the piping. Doing so will damage the cooling unit and void the warranty.

The cooling unit is then completely attached to the electrical panel enclosure from inside the enclosure by use of the screws and washers supplied in the accessory pack.

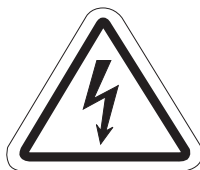
Tighten the fasteners until the cooling unit insulation strips are compressed to a thickness of 2 mm (approx. .080”)

Install the condensate drainage hose to the drain located in the cooling unit base.

Reinstall the cover using the original mounting screws.

4.3 Power connection

⚠ WARNING!



Make sure that the main power supply to the cooling unit is turned off while making the power connections.

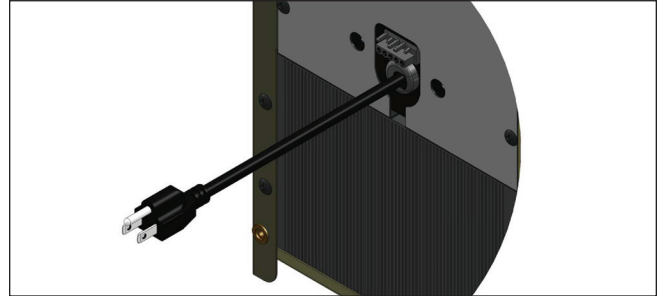
The cooling unit power supply shall be fused as indicated on the unit ID plate by means of a series connected power line connection.

All power connections and / or repairs, if or when required, shall only be carried out by authorized, trained electricians.

Power supply connection

PWS 7000 series provides a molded cord suitable for the rated power voltage of the unit.

PWS 3000 Series have a hard wired terminal.



Both the main power supply voltage and frequency shall correspond to the nominal values shown on the cooling unit ID plate.

Connect the main power supply to the cooling unit as indicated by the label located on the cooling unit and on the individual cooling unit data sheet.

⚠ WARNING!

During installation, service technician must verify and mark voltage as connected on service cover warning sticker.

4.4 Cooling Water Connection

Use flexible pressure-resistant (>10bar) hose for the cooling water connection and secure properly with clamps. Observe flow direction (labels on the device located next to the water connections) Check for leaks. Protect the water circuit against contamination and excessive pressure (please refer to the “Water Quality Notes” section. The maximum permissible operating pressure is 10 Bar.

4.5 Condensation Water Connection

To drain off condensation water install a hose on the end of the pipe projecting from the device. Secure this hose in place with clamps. To ensure reliable drainage of condensation water, please note the following:

The drain hose shall not be kinked. Hose cross-section must not be constricted in any way. The drainage hose must slope in the right direction.

To avoid excessive condensation water amounts, please note the following:

Adjust the cooling water temperature to the cooling performance required.

Only use the device on sealed electrical panels and housings.

Set the desired temperature only as low as is really necessary (to avoid the cooled air from dropping below the dewpoint).

4.6 Door Contact

To avoid an increased production of condensate and for safety reasons a door limit switch should be connected to the terminals provided.

WARNING!

No external voltage may be applied to the door contact circuit or damage to the cooling unit may result.

In order to prevent any interference from outside signals, it is recommended that a shielded cable with a twisted pair leads be used for the connection. The cable shielding can be connected on one side to the PE (ground) connection point provided on the cooling unit.

If the use of a shielded cable is not possible, the cable that is used must not be routed in the immediate vicinity of potential sources of interference such as power supply lines, components with a relatively high electromagnetic emission (EMI), etc.

If no door contact switch is used, the connecting terminals must be jumpered for the cooling unit to operate.

SECTION 5: OPERATING CONDITIONS

5.1 Requirements

Before connecting the cooling unit to the power supply, verify that the following are correct. Voltage must be within $\pm 10\%$ of the value listed on the ID plate.

Voltage frequency must be within ± 3 Hz of the value listed on the ID plate

Ambient temperature must be below $+55^{\circ}\text{C}$ (for options see Section 6.5)

Make sure that the airflow inside of the electrical panel enclosure is not restricted by internal components.

⚠ WARNING!

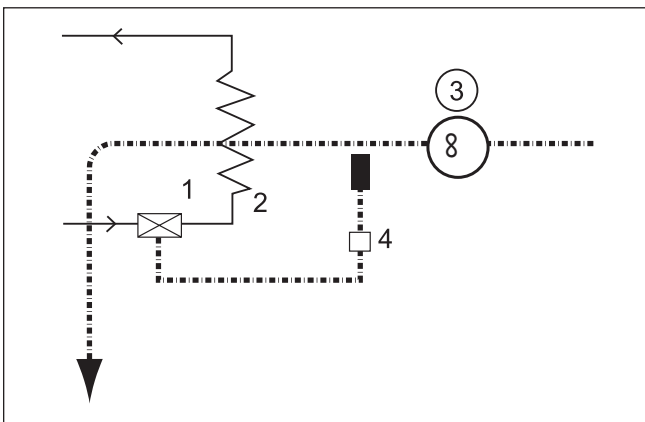
If the cooling unit is being mounted on the door of the electrical panel enclosure, it must be confirmed that the door hinges can support the additional weight of the cooling unit and that the electrical panel enclosure is securely fastened so that the panel enclosure will not topple over.

5.2 Theory of Operation

The cooling units are available in two options:

- A.) With Water (solenoid) Valve and Thermostat
- B.) Without Water Valve and Thermostat

A.) With Water (solenoid) Valve and Thermostat



- 1 Water Valve (solenoid)
- 2 Heat Exchanger (condensor)
- 3 Fan
- 4 Thermostat with Temperature Sensor

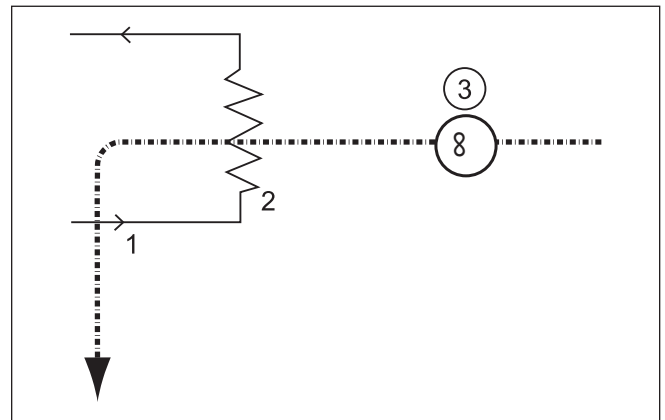
The water valve (1) controls if water is allowed to flow through the cooling unit.

As the water flows through the heat exchanger (2) it absorbs the heat from air in the electrical panel enclosure while also dehumidifying it. This process lowers the temperature of the air in the electrical panel enclosure.

This is accomplished by the fan (3) pulling in the hot air from the electrical panel enclosure and pushing it through the heat exchanger (2) and back into the electrical panel enclosure at a lower temperature.

The cooling unit (with water valve and thermostat) is electronically controlled. To accomplish this a temperature sensor monitors the temperature inside the electrical panel enclosure and regulates the function of the water valve.

B.) Without Water Valve and Thermostat



- 1 Water Inlet
- 2 Heat Exchanger (condensor)
- 3 Fan

The flow of water through the unit is regulated by a control system provided by the user outside of the cooling unit.

As the water flows through the heat exchanger (2) it absorbs the heat from air in the electrical panel enclosure while also dehumidifying it. This process lowers the temperature of the air in the electrical panel enclosure.

This is accomplished by the fan (3) pulling in the hot air from the electrical panel enclosure and pushing it through the heat exchanger (2) and back into the electrical panel enclosure at a lower temperature.

SECTION 6: UNIT START-UP

6.1 General

The cooling unit is equipped with an temperature control system. The temperature of the air pulled in from the electrical panel enclosure into the cooling unit is measured by a temperature sensor.

⚠ WARNING!

Ambient conditions and temperatures in the electrical panel must be in accordance with the values indicated in the cooling unit information sheet.

⚠ WARNING!

Unit must be operated with the cover installed. Unit can not cool properly when cover is not in place.

6.2 Setting the Operating Parameters

6.2.1 Units with Water (Solenoid) Valve and Thermostat

The cooling unit fan runs continuously.

The solenoid valve controls cooling water flow according to the internal temperature setting in the switch cabinet.

The desired internal temperature of the switch cabinet is set using the thermostat. Factory setting is at 35°C / 95°F. Adjustment range min. 8°C / 46.4°F - max. 50°C / 122°F.

Electrical panel enclosure internal temperature > the desired value set using the thermostat

Solenoid valve open Coolant flows.

Electrical panel enclosure internal temperature < the desired value set using the thermostat .

Solenoid valve shut coolant does not flow.

If door contact is opened then the unit cycles off.

Temperature Monitoring

If the internal temperature of the electrical panel enclosure deviates more than 10° C from the desired value set (factory setting 35°C / 95°F) using the thermostat then the zero potential two-way switch is triggered.

This switch is wired to the terminal strip.

Wiring diagram
(Technical sheet)
(Wiring diagram on device)

6.2.2 Units without Water Valve and Thermostat

The cooling unit fan runs continuously.

The cooling water flow is controlled centralized water flow control supplied by the customer.

The door contact cycles the unit on / off. The door contact output notifies of an open door condition.

SECTION 7: MAINTENANCE

Pfannenbergs air/water heat exchangers are maintenance-free.

Use of a water filter is essential if the cooling water is contaminated. Please refer to the "Water Quality Notes" section.

Check the condensation water drainage equipment at regular intervals.

SECTION 8: TROUBLESHOOTING

Condensation water drainage out of the electrical panel enclosure must be ensured when the device is installed.

To prevent frost damage the temperature in the water circuit must not fall below the minimum permissible water temperature of +1°C anywhere in the system.

If the device is stored or transported at temperatures below freezing the water circuit must be completely emptied using compressed air.

SECTION 9: DESIGN DATA

Please refer to the cooling unit individual technical data sheets for the following:

Dimensional Data
Mounting Cutout
Circuit Diagrams

9.1 Water Quality Notes

The following guidelines must be complied with to ensure safe and reliable operation of air/water heat exchangers.

Cooling water should not contain any sedimentation, should be of low hardness (low carbon hardness in particular), especially for re-cooling. However, it should not be so soft that it corrodes material/s used in the exchanger.

When recycling cooling water the saline content due to evaporation of larger quantities of water must not be too high (increasing concentrations of dissolved substances increase electrical conductivity, resulting in the water becoming more corrosive). Constantly remove some enriched water and replace it with an equal amount of fresh water.

Water containing gypsum is unsuitable for cooling, as it tends to cause scale deposits, which are very hard to remove.

Cooling water should be iron- and manganese-free (deposits leading to piping blockage may otherwise result). Organic substances (sludge and microbiological contaminants) should only be present in the water in very small amounts.

Common contamination forms and remedies

| Water Contamination | Remedy |
|--|--|
| Mechanical contamination | Filter water using -Sieve filters - Gravel filters - Cartridge filters -Pre-coated filters |
| Excessive hardness | Soften water using ion exchange |
| Moderate mechanical contaminant and hardness promoting substance content | Treat water using stabilisers or dispersants |
| Moderate chemical contaminant content | Treat water using passivation media and / or inhibitors |
| Biological contamination - sludge bacteria, algae | Treat water with biocides |

The characteristics of any additives or system water ought not to deviate greatly from the hydrological data given below.

| Hydrological Data | | Model: Standard | Device Model: VA |
|------------------------------------|--------------------|-----------------|--|
| pH value | | 7 - 8.5 | 6 - 9 |
| Carboxylic Acid | °dH | > 3 < 8 | 1 - 12 |
| Free carbonic acid | mg/dm ³ | 8 - 15 | 1 - 100 |
| Associated carbonic acid | mg/dm ³ | 8 - 15 | not present |
| Corrosive carbonic acid | mg/dm ³ | 0 | 0 - 400 |
| Sulphides | | not present | not present |
| Oxygen | mg/dm ³ | < 10 | < 10 |
| Chloride ions | mg/dm ³ | < 50 | < 200 |
| Sulphate ions | mg/dm ³ | < 250 | < 500 |
| Nitrates and nitrites | mg/dm ³ | < 10 | < 100 |
| CSB | mg/dm ³ | < 7 | < 40 |
| Ammonia | mg/dm ³ | < 5 | < 20 |
| Iron | mg/dm ³ | < 0.2 | not present |
| Manganese | mg/dm ³ | < 0.2 | not present |
| Conductivity | mS/cm | < 2200 | < 4000 |
| Evaporation residue | mg/dm ³ | < 500 | < 2000 |
| Potassium permanganate consumption | mg/dm ³ | < 25 | < 40 |
| Suspended matter | mg/dm ³ | < 3 > 3 | < 15 split-stream cleansing recommended > 15 constant cleaning recommended |

9.2 SCCR Determination

Article 409 of the 2005 National Electric Code (NFPA 70) requires Industrial Control Panels (electrical panel enclosures) to be marked with a short circuit current rating. As specified in the National Electric Code, the Standard for Industrial Control Equipment, UL508A-2001, Supplement SB, provides an accepted method for determining the short circuit current

rating of the control panel. The link to spreadsheets provide guidance for industrial control panel manufacturers who purchase the

discreet components and assemble combination motor controllers within their panels to achieve a combination short circuit rating that is higher than the lowest rated individual component.

Using the technical data sheet and the information on the cooling unit ID plate, identify the full load current conditions for the appropriate voltage. The installation of the cooling unit should be calculated as a dedicated branch circuit for determining the SCCR value. All selections should be evaluated based on the current UL standards for UL508a.

Table 1

| Room cooling units rated-Load Current, Amperage | | | | | | | | | | | | | | | | |
|---|------|-------------|------|-------------|------|-------------|------|----------------------|------|------------------------------------|-----------------------|-------------------|-----------------------|-------------------|-----------------------|-------------------|
| Single Phase ³ | | | | | | | | 3 Phase ³ | | | | 50 KA | | 100 KA | | 200 KA |
| 110 - 120 V | | 200 - 208 V | | 220 - 240 V | | 254 - 277 V | | 440 - 480 V | | Peak Let-thru Current ² | Max Fuse ¹ | $I_p \times 10^3$ | Max Fuse ¹ | $I_p \times 10^3$ | Max Fuse ¹ | $I_p \times 10^3$ |
| 9.9 | 16.0 | 5.4 | 8.8 | 5.0 | 8.0 | 6.65 | Less | 1.8 | Less | 1000 | 15 | 50 KA | | n/a | | n/a |
| 16.1 | 34.0 | 8.9 | 18.6 | 8.1 | 17.0 | --- | --- | --- | --- | 2000 | 30 | 50 KA | 15 | 100 KA | | n/a |
| --- | --- | --- | --- | --- | --- | --- | --- | Over | 1.8 | 5000 | 15 | 50 KA | 30 | 100 KA | 30 | 200 KA |

¹ Maximum CC class Fuse size that can achieve this branch circuit SCCR value. Smaller values may be used and still achieve equal rating.
² Circuit capacity amperes based on UL 484 table 52.1
³ Individual units running amperes can be obtained on each unit's technical data sheet.

Example 2: DTS 35xx 460V units has a 5KA IR value based on UL 484 table 52.1 (see Table 1) and the amp draw of the unit. If a 15amp Class CC current limiting feeder circuit is used in combination with the DTS35xx 460V unit, the maximum allowable Ipeak of the 15 amp Class CC fuse at an available RMS fault current of 200 kA is 1700 amps (figure 2). This value does not exceed the allowable Ipeak of this unit based on UL SCCR value of Table 52.1. Therefore, the individual branch circuit SCCR value of this series combination can support 200 kA IR. (See figure 1.)

Figure 2

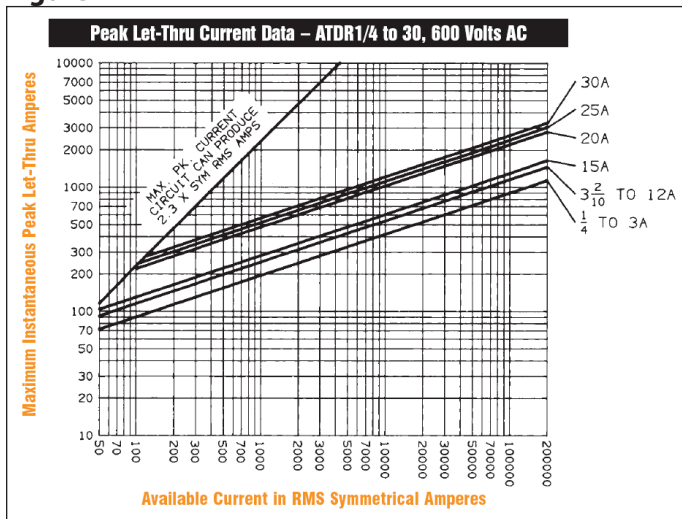
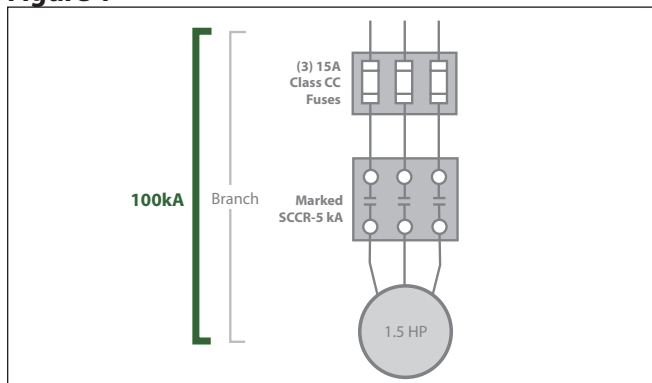


Figure 1**Option 1: UL 508a reference SB4.2**

According to UL508A Supplement SB, if a panel contains no current-limiting devices, its SCCR depends on the “weakest” or lowest rated component or combination within the panel. However, Supplement SB also states that if current-limiting fuses are used in the feeder circuit, and if the highest instantaneous current reached during the first half cycle of a fault is less than or equal to the lowest rated SCCR in any branch circuit, the SCCR of the current limiting fuse can be applied to the combination.

When the specified branch circuit protection related to the high fault short circuit current rating is a Class CC,G,J,L,RK1, RK5 or T fuse, a fuse of a different class is able to be used at the same high fault rating where the peak let through current and I^2t of the new fuse is not greater than that of the specified fuse.

Option 2: UL 508a reference SB4.3

An alternate method of achieving a high short circuit rating is by applying a power transformer with an isolated secondary winding, the short circuit current rating on the line side of the transformer shall be one of the following:

For a power transformer rated not more than 10 kVA, and where the short circuit current rating of all components in the secondary circuit are not less than 5kA, the short circuit current rating of the primary overcurrent protective device is able to be assigned to the line side of the power transformer circuit.

For a power transformer rated not more than 5kVA and a 120V maximum secondary voltage, and where the short circuit current rating of all components in the secondary circuit are not less than 2kA, the short circuit rating of the primary overcurrent protective device is able to be assigned to the line side of the power transformer circuit.

Option 3: UL 508a reference SB4.2

The combinations listed in the linked spreadsheets (www.ul.com/control-equipment/shortcircuit.html) may be applied in a manufacturer's Listed industrial control panel without further evaluation or specific documentation in the manufacturer's UL Procedure pages.

The spreadsheets cover the application of individual components, including a disconnecting means, an over current protective device, motor controller and motor overload protection, as a combination motor controller having specified ratings, including a short-circuit current rating (SCCR). Each of the individual components is Listed or Recognized to the requirements in the applicable component Standard.

The specified ratings for the combination motor controller may be applied to the end-product equipment only when all of the specific components listed are provided in the end-product equipment and installed according to any applicable conditions of acceptability.

Components other than those identified in the combination motor controller and connected in the power circuit of the combination motor controller will require additional evaluation.

SECTION 10: WARRANTY INFORMATION

(WARRANTY IS VALID FOR 1 YEAR)

Warranty becomes null and void:

In case of improper usage of the unit, noncompliance with operating conditions or nonobservance of instructions the warranty becomes null and void.

If operated in rooms in which corrosives or acids are present in the atmosphere.

In case of damage caused by contaminated or jammed air filters.

If a non-authorized person interrupts the cooling circulation, modifies the unit or changes the serial number.

In case of damage caused by transport or by accidents.

For the exchange of parts by non-authorized companies.

In order to maintain your warranty rights please observe the following when returning the unit.

Enclose an exact description of the fault in the shipping package.

Enclose proof of delivery (delivery note or copy of invoice).

Return the unit together with all accessories; use the original packaging or packaging of equivalent quality, send the unit freight prepaid and covered by an adequate transport insurance.



Pfannenberg Incorporated
68 Ward Road, Lancaster, New York 14086
Phone: 716-685-6866
Fax: 716-681-1521
email: sales@pfannenbergusa.com
www.pfannenbergusa.com

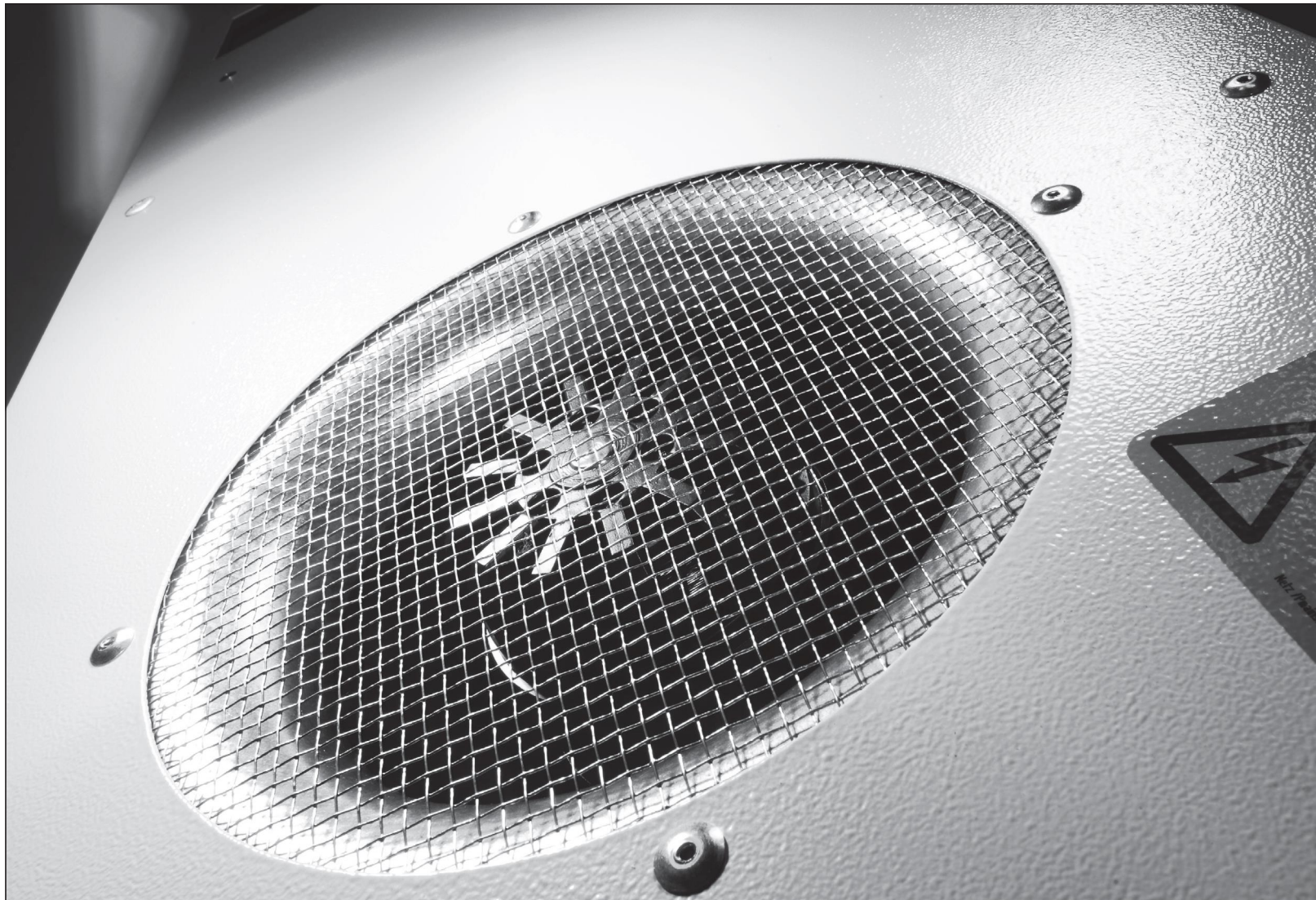


8 8 5 4 0 8 0 1 0



Luft-/Wasser-Wärmetauscher der Serie PWS

Installations-, Betriebs- und Service-Handbuch



INHALTSVERZEICHNIS

| | |
|---|-----------|
| ABSCHNITT 1: ZUR BENUTZUNG DIESES HANDBUCHS..... | 1 |
| ABSCHNITT 2: PRÜFUNG BEI ANLIEFERUNG | 2 |
| 2.1 Auspacken | 2 |
| 2.2 Mitgelieferte Artikel..... | 2 |
| 2.3 Überprüfung des Geräteschildes | 2 |
| ABSCHNITT 3: HANDHABUNG..... | 3 |
| 3.1 Transport..... | 3 |
| 3.2 Lagerung..... | 3 |
| ABSCHNITT 4: INSTALLATION | 3 |
| 4.1 Prüfung vor der Installation | 3 |
| 4.2 Installation am Schaltschrank | 3 |
| 4.3 Stromanschluss | 4 |
| 4.4 Kühlwasseranschluss | 4 |
| 4.5 Kondenswasseranschluss..... | 4 |
| 4.6 Türkontakt | 5 |
| ABSCHNITT 5: BETRIEBSBEDINGUNGEN | 6 |
| 5.1 Anforderungen | 6 |
| 5.2 Bedienkonzept..... | 6 |
| ABSCHNITT 6: INBETRIEBNAHME DES GERÄTS | 7 |
| 6.1 Allgemeines | 7 |
| 6.2 Einstellung der Betriebsparameter | 7 |
| 6.2.1 Geräte mit Wasser- (Magnet-) Ventil und Thermostat | 7 |
| 6.2.2 Geräte ohne Wasserventil und Thermostat | 7 |
| ABSCHNITT 7: WARTUNG..... | 8 |
| ABSCHNITT 8: STÖRUNGSBESEITIGUNG | 8 |
| ABSCHNITT 9: KONSTRUKTIONSDATEN | 8 |
| 9.1 Hinweise zur Wasserqualität | 8 |
| 9.2 Bestimmung des Nenn-Kurzschlussstroms..... | 10 |
| ABSCHNITT 10: INFORMATIONEN ZUR GEWÄHRLEISTUNG..... | 12 |

ABSCHNITT 1: HINWEISE ZUR VERWENDUNG DIESES HANDBUCHS

Dieses Handbuch enthält Informationen zum Einbau und Betrieb von anschraubbaren Kühlgeräten der Reihe PWS, die zur Montage an der Tür bzw. an der Seite von Schaltschränken bestimmt sind.

Mit diesen Geräten soll Wärme aus abgedichteten Gehäusen von Schaltschränken abgeführt werden. Die Temperatur der Kühlflüssigkeit, die dem Luft-/Wasser-Wärmetauscher zugeführt wird, muss mindestens 10 °C unter der Zulufttemperatur des Wärmetauschers liegen, damit das Gerät ordnungsgemäß funktionieren kann.

Verwendete Hinweise:

Tipp: Tipps enthalten zusätzliche Informationen zu der beschriebenen Handlung bzw. Anweisung.

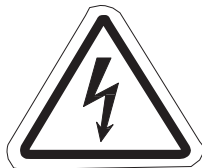


WARNUNG!

Wenn die folgenden Informationen nicht streng befolgt werden, besteht Gesundheits- oder Lebensgefahr.



WARNUNG!



Wenn die folgenden Informationen nicht streng befolgt werden, besteht Gesundheits- oder Lebensgefahr durch elektrischen Schlag.

Die spezifischen technischen Daten des jeweiligen Kühlgerätes einschließlich der Installationsanschlüsse und Betriebsdaten sind in einem separaten Datenblatt enthalten, das mit dem betreffenden Gerät mitgeliefert wird.

ABSCHNITT 2: PRÜFUNG BEI ANLIEFERUNG

2.1 Auspacken

Vor und beim Auspacken des Kühlgerätes ist durch Sichtkontrolle zu überprüfen, ob beim Transport Schäden eingetreten sind. Darauf achten, dass keine losen Komponenten vorhanden sind. Vor dem Entsorgen von Verpackungsmaterial: Auf lose Teile, eingedellte oder zerkratzte Bleche oder Flüssigkeiten achten.

Wenn Schäden festgestellt werden, sind sie unter Geltendmachung des Anspruchs unverzüglich an das zustellende Transportunternehmen zu melden. Pfannenberg übernimmt keine Haftung für auftretende Frachtschäden; wenn Ansprüche geltend gemacht werden müssen, gewähren wir Ihnen jegliche nur mögliche Unterstützung.

Bei Gewährleistungsansprüchen werden folgende Angaben benötigt: erforderlich sind genaue Einzelheiten des Fehlers (inklusive Fotos sofern möglich) sowie die Teilenummer und die Seriennummer des Kühlgerätes.

2.2 Mitgelieferte Artikel

Folgende Artikel müssen vorhanden sein:

- Kühlgerät
- Montageausschnitt Handbuch
- Technisches Datenblatt

Das Zubehörpaket der Serie PWS umfasst normalerweise:

- Dichtlamellen
- Montage-Gewindebolzen
- Montagebolzen, Muttern und Unterlegscheiben
- Kondensatschlauch (nur Serie PWS 7k)
- Steckverbinder/Brücke Türkontakt


2.3 Überprüfung des Geräteschilds

Das Geräteschild befindet sich auf der linken Seite des Kühlgerätes. Die spezifischen technischen Daten des Kühlgerätes sind *wie unten dargestellt am Geräteschild angegeben*.

⚠️ WARNUNG!


An den Metallkanten des Kühlgerätes können produktionsbedingt Grate vorhanden sein. Bei der Durchführung von Installations- oder Wartungsarbeiten sind stets Schutzhandschuhe zu tragen.

Teilenummer

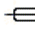




Pfannenberg
ELECTRO-TECHNOLOGY FOR INDUSTRY

Modellnummer



Pfannenberg Inc.
68 Ward Road
Lancaster, NY 14086


| | | | |
|-------------------|--|--|----------------------------------|
| | <div style="border: 1px solid black; padding: 2px;">Nenn-Betriebsspannung</div> <p>Unom V</p> | <div style="border: 1px solid black; padding: 2px;">Nenn-Betriebsfrequenz</div> <p>Hz</p> | <p>Nr./No. ← Serien-Nr.</p> |
| Leistungsaufnahme | <p>A35 / W10 Pel (50 Hz Wert) / (60 Hz Wert)</p> | <p>KW Qo (50 Hz Wert) / (60 Hz Wert)</p> | <p>← Nenn-Kühlleistung</p> |
| Nennstrom | <p>Inom max (50 Hz Wert) / (60 Hz Wert)</p> | <p>A Istart max / A</p> | <p>← Anlaufstrom</p> |
| Vorsicherung T | <p> gG A</p> | <p>pmax ← bar</p> <p>← Max. zulässiger Wasserdruck</p> | |
| Luftdurchsatz | <p> A</p> | <p>m³/h</p> | |
| Wasserdurchsatz | <p> W</p> | <p>L/h</p> | |

IP IEC 60529

Made in USA

technical.support@pfannenbergusa.com www.pfannenbergusa.com

"Special purpose air conditioner NEMA/EEMAC
UL 50 by Underwriters Laboratories Inc.,
Type Interface to enclosure only."



ABSCHNITT 3: HANDHABUNG

3.1 Transport

Das Kühlgerät darf nur im vollständig montierten Zustand transportiert werden.

Wenn das Kühlgerät mit einem Schaltschrankgehäuse geliefert wird, ist es getrennt vom Elektrogehäuse zu verpacken.

3.2 Lagerung

Das Kühlgerät darf nicht Temperaturen von mehr als +70 °C ausgesetzt werden.

Wenn das Gerät bei Temperaturen unter dem Gefrierpunkt gelagert oder transportiert wird, muss der Wasserkreislauf mit Druckluft vollständig entleert werden.

WARNUNG!

Bei Nichteinhaltung dieser Anforderungen erlischt die Gewährleistung.

ABSCHNITT 4: INSTALLATION

4.1 Prüfung vor der Installation

Vor Montage des Kühlgerätes am Schaltschrankgehäuse ist das Gerät auf ordnungsgemäße Funktion zu testen.

Hinweis: Alle Geräte werden vor Verlassen des Werks auf Dichtigkeit kontrolliert.

Wir empfehlen den Einbau eines Türkontaktschalters zum Ausschalten des Geräts beim Öffnen der Tür des Schaltschrankgehäuses.

4.2 Installation am Schaltschrank

Vor Anschluss des Kühlgerätes an die Stromversorgung kontrollieren, dass Folgendes zutrifft:

Die Spannung muss in einem Bereich von $\pm 10\%$ des am Geräteschild angegebenen Wertes liegen.

Die Spannungsfrequenz muss in einem Bereich von ± 3 Hz des am Geräteschild angegebenen Wertes liegen.

Die Umgebungstemperatur muss geringer als +55 °C sein (zu den Optionen siehe Abschnitt „Einstellung der Betriebsparameter“).

Die mit dem Kühlgerät mitgelieferte Bohrschablone an der entsprechenden Montagefläche des Schaltschrankgehäuses anordnen.

WARNUNG!

Beim Bohren und Schneiden der Öffnungen anfallende Metallspäne können das Schaltschrankgehäuse beschädigen. Es sind Vorkehrungen zu treffen, damit Späne und Bohrklein nicht in das Gehäuse geraten können.

WARNUNG!

Auf scharfe Kanten achten, die beim Bohren und/oder Schneiden des Gehäuses entstehen.

In das Schaltschrankgehäuse für das Gerät passende Bohrungen einbringen und die Öffnungen für den Luftstrom herausschneiden.

Die beiden im Zubehörpaket mitgelieferten Stehbolzen an den Positionen für die beiden oberen Montagebohrungen des Kühlgerätes einbauen.

! WARNUNG!

Bitte die Informationen auf dem Schild „Einschraublänge für Stellschraube“ am Kühlgerät beachten. Wenn die angegebene Gewindetiefe beim Einbau überschritten wird, kann das Kühlgerät beschädigt werden.

Die Montage-Isolierstreifen des Kühlgerätes (im Zubehörpaket) wie im Informationsblatt zum jeweiligen Kühlgerät angegeben an dem Kühlgerät montieren. Darauf achten, dass die Isolierstreifen ordnungsgemäß befestigt und korrekt am Kühlgerät angebracht werden. Für den ordnungsgemäßen Betrieb des Kühlgerätes ist die richtige Montage und Anordnung der Isolierstreifen erforderlich.

Unter Verwendung der wie oben beschrieben eingesetzten Stehbolzen das Kühlgerät am Schaltschrankgehäuse befestigen.

! WARNUNG!

Das Kühlgerät darf nicht an den Rohrleitungen bewegt werden. Dadurch wird das Kühlgerät beschädigt und die Gewährleistung erlischt.

Das Kühlgerät wird dann mit den im Zubehörpaket mitgelieferten Schrauben und Unterlegscheiben von der Innenseite des Gehäuses aus vollständig am Schaltschrankgehäuse befestigt.

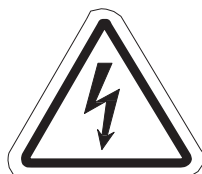
Die Befestigungselemente festziehen, bis die Isolierstreifen des Kühlgerätes auf eine Dicke von 2 mm zusammengedrückt werden (ca. „080“)

Den Stutzen für den Ablaufschlauch einbauen (nur im Zubehörbeutel zur Serie PWS 3k enthalten). Dann den Kondensat-Ablaufschlauch am Ablauf befestigen.

Mit den Original-Montageschrauben die Abdeckung wieder einbauen.

4.3 Stromanschluss

! WARNUNG!



Beim Herstellen der Stromanschlüsse ist unbedingt sicherzustellen, dass die Haupt-Stromversorgung des Kühlgerätes ausgeschaltet ist.

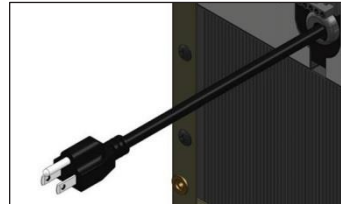
Die Stromversorgung des Kühlgerätes ist wie am Geräteschild angegeben über eine Sicherung mit einem in Reihe geschalteten Netzanschluss zu verbinden.

☒ Alle erforderlichen stromführenden Anschlüsse und/oder Reparaturen dürfen nur durch autorisierte und geschulte Elektrofachkräfte ausgeführt werden.

Elektroanschluss

Die Serie PWS 7K umfasst ein angegossenes Kabel, das für die Nennspannung des Geräts geeignet ist.

Die Serie PWS 3k verfügt über eine fest verdrahtete Klemme.



(nur Serie PWS 7K)

Spannung und Frequenz der Haupt-Stromversorgung müssen den Nennwerten entsprechen, die am Geräteschild des Kühlgerätes angegeben sind.

Die Haupt-Stromversorgung wie auf dem Schild am Kühlgerät und auf dem Datenblatt des betreffenden Kühlgerätes angegeben an das Kühlgerät anschließen.

! WARNUNG!

Bei der Installation muss ein Servicetechniker die Spannung prüfen und wie angeschlossen auf dem Warneufkleber an der Serviceabdeckung vermerken.

4.4 Kühlwasseranschluss

Für die Serie PWS 7K werden Teflon®-Band und Messing-Fittings eingesetzt. Für den Kühlwasseranschluss einen flexiblen, druckbeständigen Schlauch (>10 bar) verwenden und ordnungsgemäß mit Schellen befestigen.

Die Serie PWS 3K bietet verschiedene Anschlussoptionen. Für einen flexiblen, druckbeständigen Schlauch und eine Klemme ist ein Stutzen vorhanden.

Die Durchflussrichtung beachten (Schilder am Gerät neben den Wasseranschlüssen)! Auf Undichtigkeit prüfen! Den Wasserkreislauf vor Verschmutzung und Überdruck schützen (siehe Abschnitt „Hinweise zur Wasserqualität“). Der max. zulässige Betriebsdruck beträgt 10 bar.

ABSCHNITT 4: INSTALLATION (FORTSETZUNG)

4.5 Kondenswasseranschluss

Der Ablaufschlauch muss mit Schellen befestigt werden. Um den zuverlässigen Ablauf von Kondenswasser zu sichern, ist Folgendes zu beachten:


Der Ablaufschlauch darf nicht geknickt werden. Der Schlauch-Querschnitt darf in keiner Weise eingeschränkt werden. Der Ablaufschlauch muss ein Gefälle in der richtigen Richtung aufweisen.

Um übermäßige Mengen Kondenswasser zu vermeiden, ist Folgendes zu beachten:

- Die Temperatur des Kühlwassers an die benötigte Kühlleistung anpassen.
- Das Gerät nur an abgedichteten Schaltschränken und Gehäusen einsetzen.
- Die Solltemperatur nur so niedrig wie tatsächlich erforderlich einstellen (damit die gekühlte Luft nicht unter den Taupunkt abfällt).

4.6 Türkontakt

Zur Vermeidung eines erhöhten Kondensatanfalls und aus Sicherheitsgründen ist an die vorgesehenen Klemmen ein Türendschalter anzuschließen.

 **WARNUNG!**

An den Türkontakt-Schaltkreis darf keine Fremdspannung angelegt werden, da anderenfalls das Kühlgerät beschädigt werden kann.

Beachten: Es können interne Niederspannungen anliegen.

Um Störungen durch fremde Signale zu verhindern, wird empfohlen, für den Anschluss ein geschirmtes Kabel mit verdrehtem Leitungspaar zu verwenden. Der Kabelschirm kann an einer Seite mit dem am Kühlgerät vorgesehenen Anschlusspunkt PE (Erde) verbunden werden.

Ist der Einsatz eines geschirmten Kabels nicht möglich, so darf das verwendete Kabel nicht in unmittelbarer Nähe zu potentiellen Störungsquellen wie Stromversorgungsleitungen, Komponenten mit relativ hoher elektromagnetischer Emission (EMI) usw. verlegt werden.

Wird kein Türkontaktschalter verwendet, müssen die Anschlussklemmen überbrückt werden, damit das Kühlgerät betrieben werden kann.

ABSCHNITT 5: BETRIEBSBEDINGUNGEN

5.1 Anforderungen

Vor dem Anschluss des Gerätes an die Stromversorgung ist zu überprüfen, dass Folgendes zutrifft.

Die Spannung muss in einem Bereich von $\pm 10\%$ des am Geräteschild angegebenen Wertes liegen.

Die Spannungsfrequenz muss in einem Bereich von ± 3 Hz des am Geräteschild angegebenen Wertes liegen.

Die Umgebungstemperatur muss geringer als $+55$ °C sein (zu den Optionen siehe Abschnitt 6.5).

Darauf achten, dass der Luftstrom im Schaltschrankgehäuse nicht durch interne Komponenten eingeschränkt wird.

⚠️ WARNUNG!

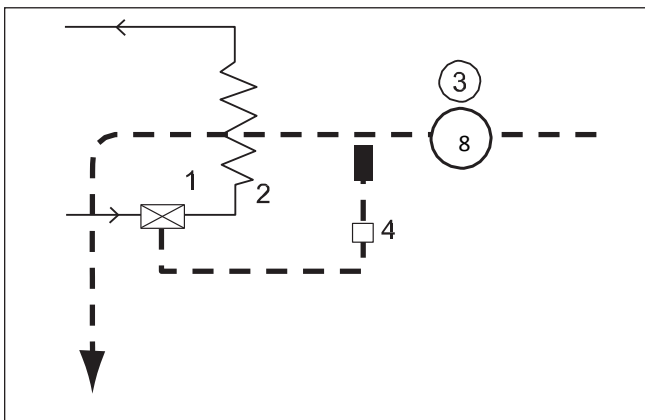
Wenn das Kühlgerät an der Tür des Schaltschrankgehäuses montiert wird, ist sicherzustellen, dass die Türscharniere das zusätzliche Gewicht des Kühlgerätes tragen können und das Schaltschrankgehäuse so sicher befestigt ist, dass es nicht kippen kann.

5.2 Bedienkonzept

Die Kühlgeräte sind in zwei Optionen erhältlich:

- A.) Mit Wasser-(Magnet-) Ventil und Thermostat
- B.) Ohne Wasserventil und Thermostat

A.) Mit Wasser- (Magnet-) Ventil und Thermostat



- 1 Wasserventil (Magnet-)
- 2 Wärmetauscher (Kondensator)
- 3 Lüfter
- 4 Thermostat mit Temperatursensor

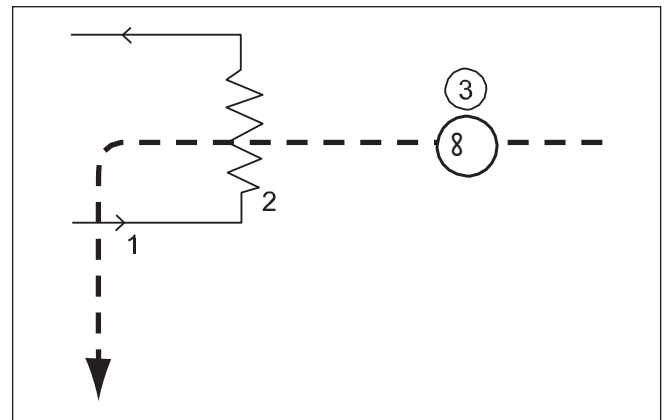
Das Wasserventil (1) regelt, ob Wasser durch das Kühlgerät fließen kann.

Wenn Wasser durch den Wärmetauscher (2) strömt, nimmt es die Wärme aus der Luft im Schaltschrankgehäuse auf und entfeuchtet diese gleichzeitig. Dabei wird die Lufttemperatur im Schaltschrankgehäuse verringert.

Das geschieht dadurch, dass der Lüfter (3) die warme Luft aus dem Schaltschrankgehäuse absaugt, dann durch den Wärmetauscher (2) und abgekühlt zurück in das Schaltschrankgehäuse bläst.

Das Kühlgerät (mit Wasserventil und Thermostat) ist elektronisch geregelt. Dazu überwacht ein Temperatursensor die Temperatur im Schaltschrankgehäuse und regelt die Funktion des Wasserventils.

B.) Ohne Wasserventil und Thermostat



- 1 Wassereinfuhr
- 2 Wärmetauscher (Kondensator)
- 3 Lüfter

Der Wasserdurchlauf durch das Gerät wird durch ein bauseitig außerhalb des Kühlgerätes bereitgestelltes Steuersystem geregelt.

Wenn Wasser durch den Wärmetauscher (2) strömt, nimmt es die Wärme aus der Luft im Schaltschrankgehäuse auf und entfeuchtet diese gleichzeitig. Dabei wird die Lufttemperatur im Schaltschrankgehäuse verringert.

Das geschieht dadurch, dass der Lüfter (3) die warme Luft aus dem Schaltschrankgehäuse absaugt, dann durch den Wärmetauscher (2) und abgekühlt zurück in das Schaltschrankgehäuse bläst.

ABSCHNITT 6: INBETRIEBNAHME DES GERÄTS

6.1 Allgemeines

Das Kühlgerät ist mit einem Temperaturregelsystem ausgestattet. Die Temperatur der aus dem Schaltschrankgehäuse in das Kühlgerät gesaugten Luft wird mit einem Temperatursensor gemessen.

⚠️ WARNUNG!

Die Umgebungsbedingungen und Temperaturen im Schaltschrank müssen mit den Werten übereinstimmen, die im Informationsblatt zum Kühlgerät angegeben sind.

⚠️ WARNUNG!

**Beim Betrieb des Gerätes muss die Abdeckung montiert sein.
Ohne Abdeckung kann das Gerät nicht ordnungsgemäß kühlen.**

6.2 Einstellung der Betriebsparameter

6.2.1 Geräte mit Wasser- (Magnet-) Ventil und Thermostat

Der Lüfter des Kühlgerätes läuft kontinuierlich.

Das Magnetventil steuert den Wasserdurchfluss entsprechend der Einstellung der Innentemperatur im Schaltschrank.

Die gewünschte Innentemperatur des Schaltschranks wird mit Hilfe des Thermostats eingestellt. Die Werkseinstellung beträgt 35 °C / 95 °F. Einstellbereich min. 8 °C / 46,4 °F - max. 50 °C / 122 °F.

Innentemperatur Schaltschrankgehäuse > der mit Hilfe des Thermostats eingestellte Sollwert

Magnetventil geöffnet. Kühlmittel fließt.

Innentemperatur Schaltschrankgehäuse < der mit Hilfe des Thermostats eingestellte Sollwert

Magnetventil geschlossen. Kühlmittel fließt nicht.

Bei geöffnetem Türkontakt läuft das Gerät aus.

Temperaturüberwachung

Wenn die Innentemperatur des Schaltschrankgehäuses um mehr als 10 °C vom Sollwert abweicht (Werkseinstellung 35 °C / 95 °F), der mit dem

Thermostat eingestellt wurde, so wird der potentialfreie Zweiwegschalter ausgelöst.

Dieser Schalter ist mit der Klemmenleiste verdrahtet.

Stromlaufplan
(technisches Datenblatt)
(Stromlaufplan am Gerät)

6.2.2 Geräte ohne Wasserventil und Thermostat

Der Lüfter des Kühlgerätes läuft kontinuierlich.

Der Kühlwasser-Durchfluss wird durch die kundenseitig zentral bereitgestellte Wasserdurchfluss-Regelung gesteuert.

Durch den Türkontakt läuft das Gerät an/aus. Über den Ausgang des Türkontakts wird der Zustand Tür geöffnet gemeldet.

ABSCHNITT 7: WARTUNG

Luft-/Wasser-Wärmetauscher von Pfannenberg sind wartungsfrei.

Bei verunreinigtem Kühlwasser ist unbedingt ein Wasserfilter einzusetzen. Siehe Abschnitt „Hinweise zur Wasserqualität“.

Die Ausrüstung zur Ableitung von Kondenswasser ist regelmäßig zu kontrollieren.

ABSCHNITT 8: STÖRUNGSBESEITIGUNG

Wenn das Gerät installiert wird, ist die Ableitung des Kondenswassers aus dem Schaltschrankgehäuse sicherzustellen.

Zum Vermeiden von Frostschäden darf die Temperatur im Wasserkreislauf an keiner Stelle des Systems unter die zulässige Wassertemperatur von min. +1 °C fallen.

Wenn das Gerät bei Temperaturen unter dem Gefrierpunkt gelagert oder transportiert wird, muss der Wasserkreislauf mit Druckluft vollständig entleert werden.

ABSCHNITT 9: KONSTRUKTIONSDATEN

Aus den spezifischen technischen Datenblättern des einzelnen Kühlgerätes ist Folgendes zu entnehmen:

- Maßangaben
- Montageausschnitt
- Schaltpläne

9.1 Hinweise zur Wasserqualität

Um den sicheren und zuverlässigen Betrieb von Luft-/Wasser-Wärmetauschern zu gewährleisten, müssen die folgenden Richtlinien eingehalten werden.

- Das Kühlwasser darf keine Ablagerungen enthalten und muss eine geringe Härte aufweisen (insbesondere eine geringe Karbonathärte) – besonders zur Nachkühlung. Es darf jedoch nicht so weich sein, dass es die im Tauscher enthaltenen Werkstoffe korrodiert.
- Bei der Wiederaufbereitung von Kühlwasser darf der durch die Verdampfung großer Wassermengen bedingte Salzgehalt nicht zu hoch sein (steigende Konzentrationen gelöster Substanzen erhöhen die elektrische Leitfähigkeit, sodass das Wasser korrosiv wird).
Dazu ist kontinuierlich etwas angereichertes Wasser zu entfernen und durch eine gleiche Menge Frischwasser zu ersetzen.
- Gipshaltiges Wasser ist zum Kühlen ungeeignet, da es zu Steinablagerungen tendiert, die sich nur sehr schwer entfernen lassen.
- Kühlwasser muss eisen- und manganfrei sein (anderenfalls können Ablagerungen entstehen, die zu Verstopfungen der Rohre führen). Organische Substanzen (Schlamm und mikrobiologische Verunreinigungen), dürfen im Wasser nur in sehr geringen Mengen vorhanden sein.

Häufige Verunreinigungsformen und Abhilfen

| Wasserverschmutzung | Abhilfe |
|--|--|
| Mechanische Verunreinigung | Wasser filtern mit <ul style="list-style-type: none">- Siebfiltern- Kiesfiltern- Patronenfiltern- Precoat-Filtern |
| Übermäßige Härte | Wasser mit Ionenaustauscher weich machen |
| Mäßige mechanische Verunreinigung und härtefördernder Substanzgehalt | Wasser mit Stabilisatoren oder Dispersionsmitteln behandeln |
| Mäßiger chemischer Schadstoffgehalt | Wasser mit Passivierungsmitteln und / oder Inhibitoren behandeln |
| Biologische Verunreinigung - Schlammbakterien, Algen | Wasser mit Bioziden behandeln |

Die Charakteristika von Zusätzen bzw. Netzwasser dürfen nicht stark von den unten angegebenen hydrologischen Daten abweichen.

| Hydrologische Daten | | Modell: Standard | Gerätemodell: VA |
|-----------------------------|--------------------|------------------|---|
| pH-Wert | | 7 - 8,5 | 6 - 9 |
| Carbonsäure | °dH | > 3 < 8 | 1 - 12 |
| Freie Kohlensäure | mg/dm ³ | 8 - 15 | 1 - 100 |
| Gebundene Kohlensäure | mg/dm ³ | 8 - 15 | nicht vorhanden |
| Korrosive Kohlensäure | mg/dm ³ | 0 | 0 - 400 |
| Sulfide | | nicht vorhanden | nicht vorhanden |
| Sauerstoff | mg/dm ³ | < 10 | < 10 |
| Chloridione | mg/dm ³ | < 50 | < 200 |
| Sulfatione | mg/dm ³ | < 250 | < 500 |
| Nitrate und Nitrite | mg/dm ³ | < 10 | < 100 |
| CSB | mg/dm ³ | < 7 | < 40 |
| Ammoniak | mg/dm ³ | < 5 | < 20 |
| Eisen | mg/dm ³ | < 0,2 | nicht vorhanden |
| Mangan | mg/dm ³ | < 0,2 | nicht vorhanden |
| Leitfähigkeit | mS/cm | < 2200 | < 4000 |
| Abdampfrückstand | mg/dm ³ | < 500 | < 2000 |
| Kaliumpermanganat-Verbrauch | mg/dm ³ | < 25 | < 40 |
| Schwebstoffe | mg/dm ³ | < 3 > 3 | < 15 Teilstromreinigung empfohlen > 15 ständige Reinigung empfohlen |

9.2 Bestimmung des Nenn-Kurzschlussstroms

Nach Artikel 409 des National Electric Code 2005 (NFPA 70) müssen industrielle Schaltschränke (Schaltschrankgehäuse) mit einem Nenn-Kurzschlussstrom gekennzeichnet werden. Wie im National Electric Code spezifiziert, ist im Standard for Industrial Control Equipment UL508A-2001, Supplement SB ein zulässiges Verfahren zur Bestimmung des Nenn-Kurzschlussstroms des Schaltschranks vorgesehen. Aus der Verknüpfung zu den Tabellen können Hersteller von industriellen Schaltschränken, die Einzelkomponenten einkaufen und Geräteeinheiten zur

Motorsteuerung in den Schaltschrank einbauen, Anleitungen dazu entnehmen, wie ein Kombinations-Kurzschluss-Nennwert erreicht werden kann, der über der Einzelkomponente mit dem niedrigsten Nennwert liegt.

Anhand des technischen Datenblatts und der Angaben am Geräteschild des Kühlgerätes werden für die jeweilige Spannung die Vollaststrom-Bedingungen bestimmt. Zur Bestimmung des Wertes für den Nenn-Kurzschlussstrom ist der Einbau des Kühlgerätes als ein dedizierter Abzweigstromkreis zu berechnen. Jede getroffene Wahl ist anhand der aktuellen UL-Normen für UL508a zu bewerten.

Tabelle 1

| Raumkühlgeräte Nenn-Laststrom, Amperezahl | | | | | | | | | | | | | | | | |
|---|------|-------------|------|-------------|------|-------------|-------|-------------------------|-------|-----------------------|----------------|-------------------|-----------------------------|-------------------|-----------------------------|-------------------|
| Einphasig ³ | | | | | | | | Dreiphasig ³ | | | | 50 KA | | 100 KA | | 200 KA |
| 110 - 120 V | | 200 - 208 V | | 220 - 240 V | | 254 - 277 V | | 440 - 480 V | | Spitzen-Durchlaßstrom | Max. Sicherung | $I_p \times 10^3$ | Max. Sicherung ¹ | $I_p \times 10^3$ | Max. Sicherung ¹ | $I_p \times 10^3$ |
| 9,9 | 16,0 | 5,4 | 8,8 | 5,0 | 8,0 | 6,65 | Unter | 1,8 | Unter | 1000 | 15 | 50 KA | | entf. | | entf. |
| 16,1 | 34,0 | 8,9 | 18,6 | 8,1 | 17,0 | --- | --- | --- | --- | 2000 | 30 | 50 KA | 15 | 100 KA | | entf. |
| --- | --- | --- | --- | --- | --- | --- | --- | Über | 1,8 | 5000 | 15 | 50 KA | 30 | 100 KA | 30 | 200 KA |

¹ Max. Sicherungsgröße der Klasse CC, mit der der Nenn-Kurzschlussstrom für diesen Abzweigstromkreis erreichbar ist. Niedrigere Werte können verwendet werden und noch den gleichen Nennwert erreichen.
² Schaltkreis Kapazität in Ampere nach UL 484 Tabelle 52.1
³ Der Betriebsstrom des betreffenden Geräts ist aus dem technischen Datenblatt des jeweiligen Gerätes zu entnehmen.

Beispiel 2: Die Geräte DTS 35xx 460V weisen einen IR-Wert (Isolationswiderstand) von 5KA basierend auf UL 484 Tabelle 52.1 (siehe Tabelle 1) und der Stromaufnahme des Gerätes auf. Wenn ein strombegrenzendes Hilfsnetz der Klasse CC mit 15 A in Verbindung mit dem Gerät DTS35xx 460V verwendet wird, beträgt die maximal zulässige I-Spitze der 15 A-Sicherung der Klasse CC bei einem vorhandenen Effektivfehlerstrom von 200 kA 1700 A (Abbildung 2). Dieser Wert überschreitet nicht die zulässige I-Spitze dieses Gerätes basierend auf dem UL-Wert für den Nenn-Kurzschlussstrom aus Tabelle 52.1. Somit kann der Nenn-Kurzschlussstrom des spezifischen Abzweigstromkreises dieser Serie 200 kA IR unterstützen. (Siehe Abbildung 1.)

Abbildung 2

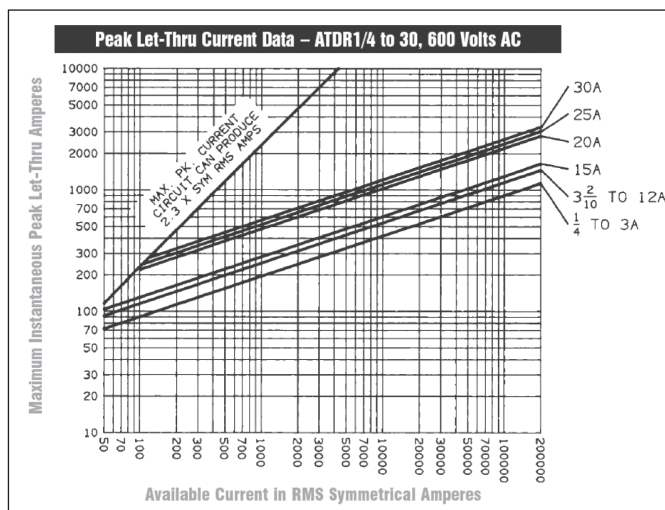
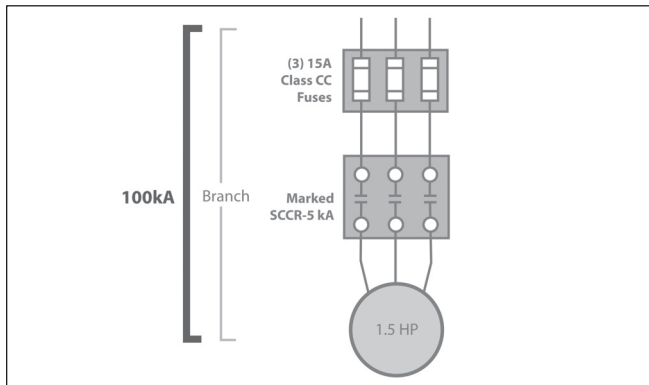


Abbildung 1



Option 1: UL 508a Referenz SB4.2

Gemäß UL508A Supplement SB hängt der Nenn-Kurzschlussstrom bei Schaltschränken ohne Strombegrenzer von der „schwächsten“ bzw. über den niedrigsten Nennwert verfügbenden Komponente bzw. Geräteeinheit im Schaltschrank ab. Jedoch besagt Supplement SB ebenfalls, dass bei Verwendung strombegrenzender Sicherungen im Hilfsnetz und wenn der in der ersten Halbschwingung einer Störung erreichte höchste Momentanstrom kleiner als oder gleich dem niedrigstem Nenn-Kurzschlussstrom in einem Abzweigstromkreis ist, der Nenn-Kurzschlussstrom der strombegrenzenden Sicherung auf die Geräteeinheit angewendet werden kann.

Wenn der spezifizierte Schutz des Abzweigstromkreises in Bezug auf den hohen Fehler-Nenn-Kurzschlussstrom eine Sicherung der Klasse CC, G, J, L, RK1, RK5 oder T ist, kann eine Sicherung einer anderen Klasse beim gleichen hohen Fehlernennwert eingesetzt werden, sofern der Spitzen-Durchlassstrom und I_2t der neuen Sicherung nicht größer als die Werte der spezifizierten Sicherung sind.

Option 2: UL 508a Referenz SB4.3

Eine alternative Methode zum Erreichen eines hohen Kurzschluss-Nennwerts ist die Anwendung eines Leistungstransformators mit einer isolierten Sekundärwicklung. Der netzseitige Nenn-Kurzschlussstrom des Transformators muss einer der folgenden Möglichkeiten entsprechen:

- Bei Leistungstransformatoren mit einem Nennwert bis 10 kVA und sofern der Nenn-Kurzschlussstrom aller Komponenten im Sekundärkreis nicht weniger als 5kA beträgt, kann der Nenn-Kurzschlussstrom der primären Überstrom-Schutzeinrichtung der Netzseite des Leistungstransformator-Schaltkreises zugewiesen werden.
- Bei Leistungstransformatoren mit einem Nennwert bis 5kVA und einer Sekundärspannung von max. 120V und sofern der Nenn-Kurzschlussstrom aller Komponenten im Sekundärkreis nicht weniger als 2kA beträgt, kann der Nenn-Kurzschlussstrom der primären Überstrom-Schutzeinrichtung der Netzseite des Leistungstransformator-Schaltkreises zugewiesen werden.

Option 3: UL 508a Referenz SB4.2

Die Geräteeinheiten, die in den verlinkten Tabellen angegeben sind (www.ul.com/control-equipment/shortcircuit.html), können ohne weitere Prüfung oder spezifische Dokumentation auf den UL-Verfahrens-Seiten des Herstellers in gelisteten Industrie-Schaltschränken des Herstellers angewendet werden.

Die Tabellen decken die Anwendung einzelner Komponenten einschließlich eines Trennorgans, einer Überstromschutzeinrichtung, eines Motorstellers und Motorüberlastschutzes als Motorsteuerungs-Geräteeinheit mit spezifizierten Nennwerten einschließlich eines Nenn-Kurzschlussstroms (SCCR) ab. Die einzelnen Komponenten sind jeweils gemäß der Anforderungen in der anwendbaren Komponentennorm gelistet bzw. anerkannt.

Die spezifizierten Nennwerte für die Motorsteuerungs-Geräteeinheit können nur dann für die Endprodukt-Ausrüstung angewendet werden, wenn alle gelisteten spezifischen Komponenten in der Endprodukt-Ausrüstung vorhanden und nach den für die Annahmefähigkeit jeweils geltenden Bedingungen installiert sind.

Für andere Komponenten, die nicht in der Motorsteuerungs-Geräteeinheit festgelegt sind und an den Leistungsstromkreis der Motorsteuerungs-Geräteeinheit angeschlossen werden, ist eine zusätzliche Bewertung erforderlich.

ABSCHNITT 10: INFORMATIONEN ZUR GEWÄHRLEISTUNG

(DIE GEWÄHRLEISTUNG IST FÜR EIN JAHR GÜLTIG)

Die Gewährleistung verliert ihre Gültigkeit:

- Bei unsachgemäßer Verwendung des Geräts, Nichteinhaltung der Betriebsbedingungen oder der Anleitung verliert die Gewährleistung ihre Gültigkeit.
- Bei Betrieb in Räumen mit einer korrosiven oder säurehaltigen Atmosphäre.
- Bei Beschädigung durch kontaminierte oder verstopfte Luftfilter.
- Wenn unbefugte Personen den Kühlkreislauf unterbrechen, das Gerät modifizieren oder die Seriennummer verändern.
- Bei durch Transport oder Unfall verursachten Schäden.
- Beim Austausch von Teilen durch unbefugte Unternehmen.

Zur Aufrechterhaltung Ihrer Gewährleistungsansprüche beachten Sie bei der Rücksendung des Geräts bitte Folgendes:

- Der Versandpackung ist eine genaue Beschreibung des Fehlers beizulegen.
- Es ist ein Liefernachweis beizufügen (Lieferschein oder Rechnungskopie).
- Das Gerät ist mit dem gesamten Zubehör zurückzuschicken; dabei ist die Originalverpackung oder eine Verpackung gleichwertiger Qualität zu verwenden; das Gerät frachtfrei und durch eine angemessene Transportversicherung abgedeckt versenden.



Pfannenberg Sales America, LLC
68 Ward Road, Lancaster, New York 14086
Tel.: 716-685-6866
Fax: 716-681-1521
E-Mail: sales@pfannenbergusa.com
www.pfannenbergusa.com



Rev. C
04/22
© Pfannenberg Incorporated